

Edger
Super 7R 230V
Operator's Manual



READ THIS BOOK

This book has important information for the use and safe operation of this machine. Failure to read this book prior to operating or attempting any service or maintenance procedure to your American Sanders machine could result in injury to you or to other personnel; damage to the machine or to other property could occur as well. You must have training in the operation of this machine before using it. If your operator(s) cannot read this manual, have it explained fully before attempting to operate this machine.

All directions given in this book are as seen from the operator's position at the rear of the machine.

Contents

Operator Safety Instructions.....	4	Operating Instructions	11
General Power Tool Safety Warnings	5	Adjustment Procedures	12
Safety Warnings for Sanding Operations.....	6	Sanding Cuts & Sandpaper.....	12
Kickback and Related Warnings	7	Routine Maintenance	12
Additional Rules for Safe Operation.....	7	Maintenance	13
Machine Components	8	Carbon Brushes	13
Machine Specifications.....	8	Gearbox Lubricant.....	13
Safety Instructions.....	9	Parts Manual & Notes	14
Dust Collection	10	Electrical Schematic	15
Machine Setup	11	Limited Warranty	26

*****This product is intended for commercial use only*****




Operator Safety Instructions



In this Operation Manual you will find three statements that you must read and observe to ensure safe operation of this machine.



DANGER means: Severe bodily injury or death can occur to you or other personnel if the **DANGER** statements found on this machine or in this Operation Manual are ignored or are not adhered to. Read and observe all **DANGER** statements found in this Operation Manual and on your machine.



WARNING means: Injury can occur to you or to other personnel if the **WARNING** statements found on your machine or in the Operation Manual are ignored or are not adhered to. Read and observe all **WARNING** statements found in this Operation Manual and on your machine.



CAUTION means: Damage can occur to the machine or to other property if the **CAUTION** statements found on your machine or in this Operation Manual are ignored or are not adhered to. Read and observe all **CAUTION** statements found in this Operation Manual and on your machine.



 **DANGER:** Failure to read the Owner's Manual prior to operating or servicing your American Sanders machine could result in injury to you or to other personnel; damage to the machine or to other property could occur as well. You must have training in the operation of this machine before using it. If you or your operator(s) cannot read English, have this manual explained fully before attempting to operate this machine.  


 **DANGER:** A. Sanding/finishing wood floors can create an explosive or combustible environment. Do not operate this machine around solvents, thinners, alcohol, fuels, floor finishes, wood dust or any other flammable materials. Cigarette lighters, pilot lights, electrical sparks and all other sources of ignition should be extinguished or avoided. Keep work area well ventilated. 
B. Dust generated from sanding wood floors can spontaneously ignite or explode. Promptly dispose of any sanding dust in a metal container clear of any combustibles. Do not dispose in a fire.


 **DANGER:** A. Electrocutation could occur if the machine is being serviced while the machine is connected to a power source. Disconnect the power supply before servicing. 
B. Electrocutation or fire could occur if the machine is being operated with a damaged power cord. Keep the power cord clear of the pad. Always lift the cord over the machine. Do not move the machine by the power cord.
C. Shock hazard. Do not use the machine if it has been rained on or sprayed with water.

 **DANGER:** To avoid injury keep hands, feet, and loose clothing away from all moving parts on the machine. Disconnect the power cord before replacing the pad, changing the abrasive, or when servicing. Do not operate the machine unless all guards are in place. Never leave the machine unattended while connected to a power source. 

 **WARNING:** Injury can occur if protective clothing or equipment is not used while sanding. Always wear safety goggles, protective clothing, and dust mask while sanding. 

 **WARNING:** This sander is not to be used on pressure treated wood. Some pressure treated woods contain arsenic and sanding pressure treated wood produces hazardous dust. Inhaling hazardous dust from pressure treated wood can cause serious injury or death. Sanding pressure treated wood decks or uneven surfaces can damage the sander which is not covered under warranty or damage waiver. 

 **WARNING:** Any alterations or modifications of this machine could result in damage to the machine or injury to the operator or other bystanders. Alterations or modifications not authorized by the manufacturer voids any and all warranties and liabilities.

 **WARNING:** Risk of explosion. Floor sanding can result in an explosive mixture of fine dust and air. Use floor sanding machine only in a well-ventilated area free from any flame or match.

 **A SPECIAL WARNING ABOUT BAG FIRES**



Dust generated from sanding raw or previously finished wood floors **CAN SPONTANEOUSLY IGNITE OR EXPLODE!**
The sanding machine's **DUST CONTAINMENT BAG MUST BE EMPTIED FREQUENTLY** and before any work stoppage.
NEVER STORE SANDING DUST IN OR AROUND STRUCTURES OR OTHER COMBUSTIBLE MATERIALS.
Promptly dispose of any sanding dust outside in accordance with local regulations. Do not dispose in a fire.

General Power Tool Safety Warnings

WARNING: Read all safety warnings and instructions. Failure to follow warnings and instructions may result in electric shock, fire and or serious injury.

Save all warnings and instructions for future use.

The term “power tool” in the warnings refers to your main-operated (corded) power tool or battery operated (cordless) power tool.

1) Work area safety

- a) **Keep work area clean and well lit.** Clutter or dark areas invite accidents.
- b) **Do not operate power tools in explosive atmospheres, such as in the presence of flammable liquids, gases, or dust.** Power tools create sparks which may ignite the dust or fumes.
- c) **Keep children and bystanders away while operating a power tool.** Distractions can cause you to lose control.

2) Electrical safety

- a) Power tool plugs must match the outlet. Never modify the plug in any way. Do not use any adapter plugs with earthed (grounded) power tools. Unmodified plugs and matching outlets will reduce risk of electric shock.
- b) Avoid body contact with earthed or grounded surfaces such as pipes, radiators, ranges, and refrigerators. There is an increased risk of electric shock if your body is earthed or grounded.
- c) Do not expose power tools to rain or wet conditions. Water entering a power tool will increase the risk of electric shock.
- d) Do not abuse the cord. Never use the cord for carrying, pulling or unplugging the power tool. Keep cord away from heat, oil, sharp edges or moving parts. Damaged or entangled cords increase the risk of electric shock.
- e) When operating a power tool outdoors, use an extension cord suitable for outdoor use. Use of cord suitable for outdoor use reduces the risk of electric shock.
- f) If operating a power tool in a damp location is unavoidable, use a residual current device (RCD) or ground fault circuit interrupter (GFCI) protected supply. Use of a RCD or GFCI reduces the risk of electric shock.

3) Personal safety

- a) **Stay alert, watch what you are doing and use common sense when operating a power tool. Do not use a power tool while you are tired or under the influence of drugs, alcohol, or medication.** A moment of inattention while operating power tools may result in serious personal injury.
- b) **Use personal protective equipment. Always wear eye protection.** Protective equipment such as dust mask, non-skid safety shoes, hard hat, or hearing protection used for appropriate conditions will reduce personal injury.
- c) **Prevent unintentional starting. Ensure switch is in off-position before connecting to power source and/or battery pack, picking up, or carrying the tool.** Carrying power tools with your finger on the switch or energizing power tools that have the switch on invites accidents.

- d) **Remove any adjustment wrench or key before turning the power tool on.** A wrench or key left attached to a rotating part of the power tool may result in personal injury.
- e) **Do not overreach. Keep proper footing and balance at all times.** This enables better control of the power tool in unexpected situations.
- f) **Dress properly. Do not wear loose clothing or jewelry. Keep your hair, clothing and gloves away from moving parts.** Loose clothes, jewelry, or long hair can be caught in moving parts.
- g) **If devices are provided for the connection of dust extraction and collection facilities, ensure these are connected and properly used.** Use of dust collection can reduce dust related hazards. It is recommendation that the tool always be supplied via a residual current device with a rated residual current of 30mA or less.

4) Power tool use and care

- a) **Do not force the power tool. Use the correct power tool for your application.** The correct power tool will do the job better and safer at the rate for which it was designed.
- b) **Do not use the power tool if the switch does not turn it on and off.** Any power tool that cannot be controlled with the switch is dangerous and must be repaired.
- c) **Disconnect the plug from the power source and/or the battery pack from the power tool before making any adjustments, changing accessories or storing power tools.** Such preventative safety measures reduce the risk of starting the power tool accidentally.
- d) **Store idle power tools out of the reach of children and do not allow persons unfamiliar with the power tool or these instructions to operate the power tool.** Power tools are dangerous in the hands of untrained users.
- e) **Maintain power tools. Check for misalignment or binding of moving parts, breakage of parts and any other condition that may affect the power tool's operation. If damaged, have the power tool repaired before use.** Many accidents are caused by poorly maintained power tools.
- f) **Keep cutting tools sharp and clean.** Properly maintained cutting tools with sharp cutting edges are less likely to bind and are easier to control.
- g) **Use the power tool, accessories and tool bits etc. in accordance with these instructions, taking into account the working conditions and the work to be performed.** Use of the power tool for operations different from those intended could result in a hazardous situation.

5) Service

- a) **Have the power tool serviced by a qualified repair person using only identical replacement parts.** This will ensure that the safety of the power tool is maintained. If the supply cord is damaged, it must be replaced by the manufacturer, its service agent or similarly qualified persons in order to avoid a hazard.

Safety Warnings for Sanding Operations

1. This power tool is intended to function as a sander. Read all safety warnings, instructions and specifications provided with this power tool. Failure to follow all instructions listed below may result in electric shock, fire, or personal injury.
2. Operations such as grinding, wire brushing, polishing or cutting-off, are not recommended to be performed with this power tool. Operations for which the tool was not designed may create a hazard and cause personal injury.
3. Do not use accessories which are not specifically designed and recommended by the tool manufacturer. Just because the accessory can be attached to your power tool, it does not assure safe operation.
4. The rated speed of the accessory must be at least equal to the maximum speed marked on the power tool. Accessories running faster than their rated speed can break and fly apart.
5. The outside diameter and thickness of your accessory must be within the capacity rating of your power tool. Incorrectly sized accessories cannot be adequately guard or controlled.
6. The arbor size of wheels, flanges, backing pads or any other accessory must fit the spindle of the power tool. Accessories with arbor holes that do not match the mounting hardware of the power tool will run out of balance, vibrate excessively and may cause loss of control.
7. Do not use damaged accessory. Before each use inspect the accessory such as abrasive wheel for chips or cracks, backing pad for cracks, tear or excess wear, wire brush for loose or cracked wires. If power tool or accessory is dropped, inspect for damage or install an undamaged accessory. After inspecting or installing an accessory, position yourself or bystanders away from the plane of the rotating accessory and run the power tool at maximum no-load speed for one minute. Damaged accessories will normally break apart during this time.
8. Wear personal protective equipment. Depending on application, use face shield, safety goggles or safety glasses. As appropriate, wear dust mask, hearing protectors, gloves and workshop apron capable of stopping flying debris generated by various operations. The eye protection must be capable of stopping flying debris generated by various operations. The dust mask or respirator must be capable of filtering particles generated by your operations. Prolonged exposure to high intensity noise may cause hearing loss.
9. Keep bystanders a safe distance away from work area. Anyone entering the work area must wear personal protective equipment. Fragments of work piece or a broken accessory may fly away and cause injury beyond immediate area of operation.
10. Hold power tool by gripping insulated surfaces (handle) only, when performing an operation where the cutting accessory may contact hidden wiring or its own cord. Cutting accessory contacting a "live" wire may make exposed metal parts of the power tool "live" and shock the operator.
11. Position the cord clear of the spinning accessory. If you lose control, the cord may be cut or snagged and your arm or hand may be pulled into the spinning accessory.
12. Never lay the power tool down until the accessory has come to a complete stop. The spinning accessory may grab the surface and pull the power tool out of your control.
13. Do not run the power tool while carrying it at your side. Accidental contact with the spinning accessory could snag your clothing, pulling the accessory into your body.
14. Regularly clean the power tools air vents. The motor's fan will draw the dust inside the housing and excessive accumulation may cause electrical hazards.
15. Do not operate the power tool near flammable materials. Sparks could ignite these materials.
16. Do not use excessively oversized sanding disc paper. Follow manufacturer's recommendations when selecting sanding paper. Larger sanding paper extending beyond the sanding pad presents a laceration hazard and may cause snagging, tearing of the disc or kickback.
17. Risk of explosion. Floor sanding can result in an explosive mixture of fine dust and air. Use floor sanding machine only in a well-ventilated area free from any flame or match.

Kickback and Related Warnings

Kickback is a sudden reaction to a pinched or snagged rotating wheel, backing pad, brush or any other accessory. Pinching or snagging causes rapid stalling of the rotating backing pad which in turn causes uncontrolled power tool to be forced in the opposite direction of the backing pad's rotation at the point of the binding.

For example, if an abrasive wheel is snagged or pinched by the work piece, the edge of the wheel that is entering into the pinch point can dig into the surface of the material causing the wheel to climb out or kick out. The wheel may either jump toward or away from the operator, depending on direction of the wheel's movement at the point of pinching. Abrasive wheels may also break under these conditions.

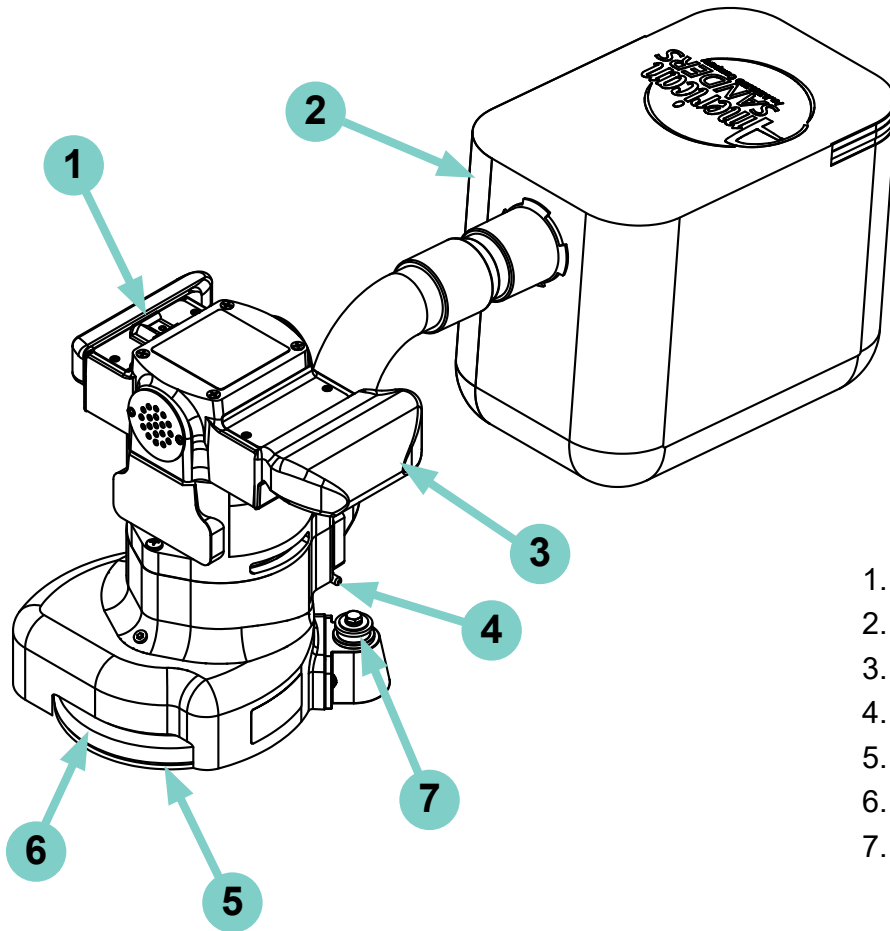
Kickback is the result of power tool misuse and incorrect operating procedures or conditions and can be avoided by taking proper precautions as given below.

1. Maintain a firm grip on the power tool and position your body and arms to allow you to resist kickback forces. Always use auxiliary handles, if provided for maximum control over kickback or torque reactions during start up. The operator can control torque reactions or kickback forces, if proper precautions are taken.
2. Never place your hand near the rotating accessory. Accessory may kickback over your hand.
3. Do not position your body in the area where power tool will move if kickback occurs. Kickback will propel the tool in the direction opposite to the wheel's movement at the point of the snagging.
4. Use special care when working corners, sharp edges etc. Avoid bouncing and snagging the accessory. Corners, sharp edges or bouncing have a tendency to snag the rotating accessory and cause loss of control or kickback.

Additional Rules For Safe Operation

1. Empty the dust bag or dust collection receiver frequently. Do not leave residue in dust bag or dust collection receiver unattended. Always empty in a non-combustible metal container. Sanding wood or varnish produces dust that can self ignite and cause injury or damage. Follow this precaution for storage.
2. Set all exposed nails. Sweep loose abrasive away from work area. Do not strike metal pipes, etc., with sanding paper. Striking metal or abrasive particles with sanding paper produces sparks that could ignite the sanding dust which can cause injury or damage.
3. Do not operate a partially assemble power tool. Keep all adjustments within manufacturer's specifications. Keep all fasteners tight. Operating a partially assembled power tool could result in injury to the operator or bystander and could cause damage to the equipment or surroundings.
4. Do not attempt to change the sanding paper while the power tool is running. The sanding pad can snag clothing and cause injury to limbs and moving sanding paper can cause abrasions.
5. The power tool should only be used on an electrical system (mains) that is rated for the electrical requirements of the power tool as shown on the nameplate. Use only on an earthing (grounded) system. Do not service the power tool if it is energized or connected to an electrical circuit. Improper use could cause fire or electric shock.

Machine Components



Component

1. Control Switch
2. Dust Collection Bag
3. Operating Handles
4. Abrasive Wrench
5. Sanding Pad
6. Wall Guard
7. Caster Adjustment Screw

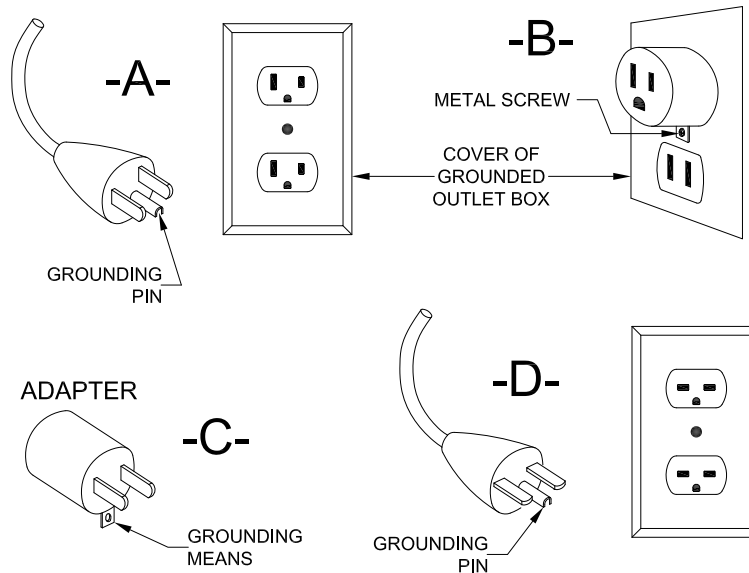
Machine Specifications

Model	Super 7R	Super 7R	Super 7R
Model Number	07098A	07099A	07243A
Voltage / Frequency	230V / 50Hz	230V / 50Hz	230V / 50Hz
Amperage (A)	6	6	6
Motor	0.75 kW / 750 Watts	0.75 kW / 750 Watts	0.75 kW / 750 Watts
Abrasive Size	7" X 7/8" Disc	7" X 7/8" Disc	7" X 7/8" Disc
Disc Rate	2800	2800	2800
Disc Driver System	Gear Driven	Gear Driven	Gear Driven
Power Cable	H05V/F3G 1.0mm sq X 15.4m	H05V/F3G 1.5mm sq X 15.4m	H05V/F3G 1.0mm sq X 15.4m
Cord Plug	AU1-10R	AU1-10R	CEE 7/7 or UK13
Front Lamp	Not Applicable	Not Applicable	230V LED
Dust Collection	Standard	Standard	Standard
Dust Control Rate	110 CFM	110 CFM	110 CFM
Certification	AS / NZS	Not Applicable	CE / UKCA

Safety Instructions



This floor-finishing machine shall be grounded while in use to protect the operator from electrical shock. The machine is provided with a three-conductor cord and a three contact grounding attachment plug to fit the proper grounding type receptacle. The green (or green and yellow) conductor in the cord is the grounding wire. Never connect this wire to other than the grounding pin of the attachment plug.

This machine is for use on a nominal 230 volt circuit and has a grounding plug that resembles the plug illustrated as (A) in the sketch. Make sure that the machine is connected to an outlet having the same configuration as the plug. No adapter should be used with this machine.




Extension Cords (230V)

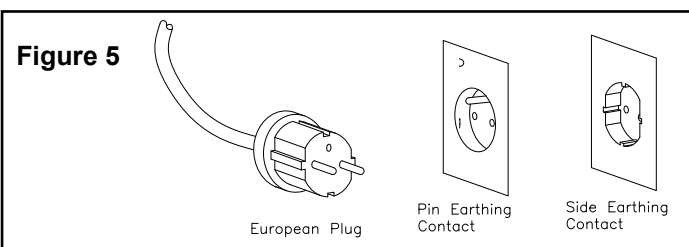
Use only an approved extension cord with two main conductors and one earthing conductor.


-  **WARNING:** If you use an extension cord, use an extension cord with minimum wire size 1.50 mm². Do not use an extension cord longer than 15 meters. Do not join two extension cords.
-  **WARNING:** Do not cut, remove, or break the ground terminal. Do not try to fit a three-terminal plug into a receptacle or connector body that does not fit the plug. If the receptacle or connector body does not fit the plug, see your Authorized person to make the connection.

Electrical Connection Instructions (230V)

-  **CAUTION:** This machine will operate only on the AC frequency and electrical voltage shown on the nameplate. Make sure you have the correct frequency and voltage before connecting the power cord to an outlet.

This machine must be connected to the electrical ground to protect the operator from electric shock. The machine has a power cord with two main conductors and one earthing conductor. Connect the plug to the type of receptacle shown in figure 5. The green and yellow conductor cord is the ground wire. Never connect this wire to any terminal other than the ground terminal.



-  **WARNING:** Always use this machine with an AC three-conductor electrical system connected to the electrical ground. Replace any worn, cut, or damaged cords. Replace any damaged plugs, receptacles, or connector bodies. Do not move the machine over an electrical cord. Always lift the cord over the machine.

Dust Collection

This sanding machine is designed to be operated with a remote vacuum dust collection system or with the included dust bag

Preparing Remote Vacuum Dust Collection Systems

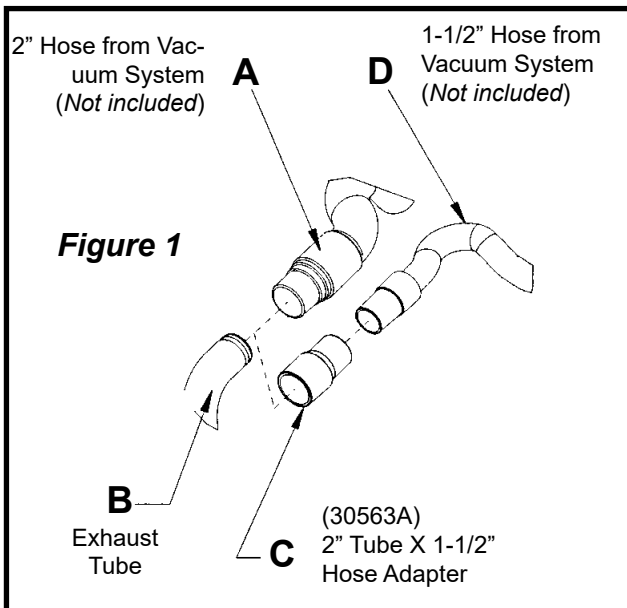
To prepare the machine for remote vacuum dust collection systems that have a 2" hose end, follow this procedure:

1. Install 2" hose end (*Figure 1 - A*) directly into the exhaust tube (*Figure 1 - B*).
2. The exhaust tube can be rotated for optimum convenience.

To prepare the machine for remote vacuum dust collection systems that have a 1-1/2" hose end, follow this procedure:

1. Install 2" hose end (*Figure 1 - A*) directly into the exhaust tube (*Figure 1 - B*).
2. The exhaust tube can be rotated for optimum convenience.

NOTE: Start the remote vacuum collections system before operation.

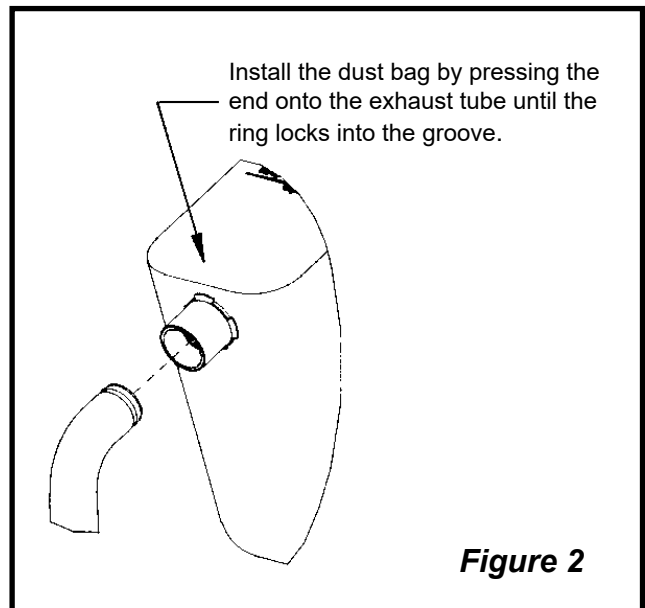


Preparing Using the Dust Bag

To prepare the machine for use with the included dust bag (Part No.53544B), follow this procedure:

1. Install the dust bag by pressing the end onto the exhaust tube until the ring locks into the groove (*Figure 2*). This is best done by pressing on the back of the bag opening with the palm of your hand.
2. The exhaust tube can be rotated for optimum convenience.
3. To remove the dust bag from the exhaust tube, pry up the end of the bag opening to partially release the internal rib from the groove, then pull.
4. To empty the dust bag, unzip the disposal flap and force contents out by inverting the bag.

NOTE: For best results, empty frequently. Follow all warnings posted in this manual and on the dust bag.



Machine Set-Up

Preparing the Machine for Operation

1. Familiarize yourself with the machine. Read all danger, warning, and caution statements and the Owner's Manual before operating this machine. If you or your operator cannot read English, have this manual explained fully before attempting to operate this machine.
2. Remove screw and abrasive retainer. Center abrasive on pad and secure with abrasive retainer and screw. (Figure 3)

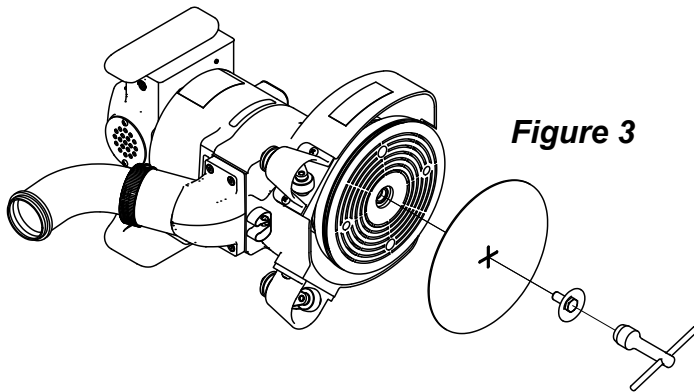


Figure 3

3. Return machine to upright position and tilt machine back on casters until it comes to rest on the exhaust bracket. Machine will be in a reclined position. Do not allow machine to rest on pad especially after use, or compression set may take place within elastomer on pad. This will create a flat spot and bounce during use. (Figure 4)

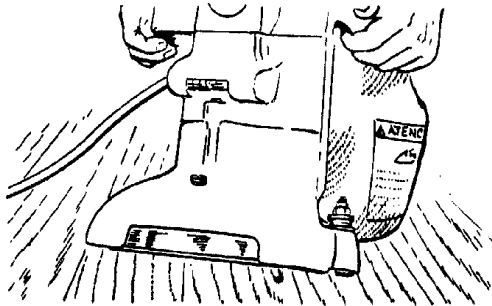


Figure 4

Operating Instructions

1. Move machine to the location of your work. Set any exposed nails with hammer and punch to avoid encounter with abrasive.

WARNING: Bodily injury could occur if power is applied to the machine with the power switch already in the "ON" position. Always check to assure that the power switch is in the "OFF" position before applying power to the power cable.

2. Make sure the control switch is in the "Off" position then connect the supply cable to an appropriately grounded fused circuit. Connect the supply cable to the motor pigtail. (Figure 5)

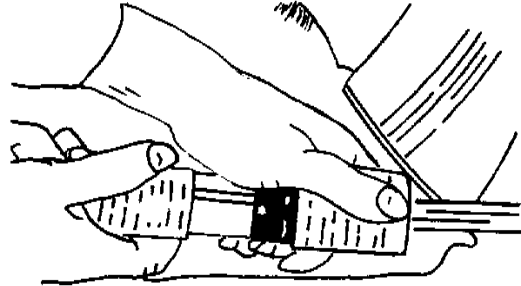


Figure 5

3. With the machine in the reclined position firmly grasp both handles and flip the control switch to the "ON" position. (Figure 4.)
4. Gradually lower pad to surface intended for sanding. Make sure the machine is in motion while the pad is engaged with the surface to be sanded. You may use broad circular motion as you sand along the length of the surface or you may use a combination of forward and sideways motions. In time you will develop your own technique to optimize coverage and dust recovery. It is advisable to not add effort to the pad as this may lead to "nosing in" or "tipping" which produces grooves or lines on the surface.
5. When replacing abrasive, emptying the contents of the dust bag, or sanding operation is completed, return machine to reclined position, flip control switch to "Off" then disconnect the motor pigtail from the supply cable.
6. Empty dust bag whenever it becomes 1/3 full.

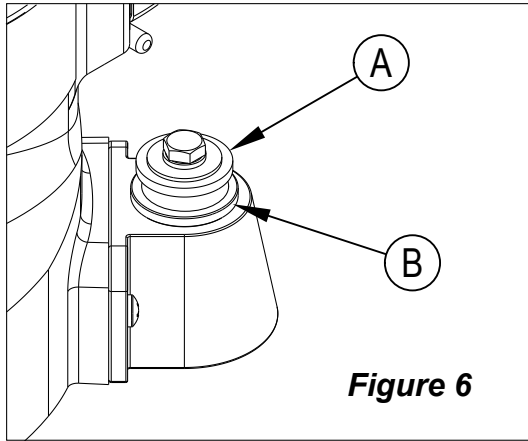
DANGER: Failure to disconnect the supply cable from machine whenever servicing, replacing abrasive, or emptying the dust bag could result in electrocution or severe injury. Never leave machine unattended while the supply cable is connected.

DANGER: Never leave dust bag unattended with sanding dust in it. Sanding dust can spontaneously ignite and cause a fire or explosion. Empty dust bag into a metal container, clear of any combustibles. Do not empty content into a fire. Do not overfill dust bag.

Adjustment Procedures

Leveling

To level machine: Grasp caster adjusting screw "A" with an appropriate tool (pliers etc.). Using a similar tool, loosen locknut "B" with a counter clockwise motion. (Figure 6).



Condition 1: Pad creates ridges on both edges or a "hop" is experienced.

Rotate both adjusting screws equal amounts clockwise. Tighten locknut's and test on a piece of plywood. Repeat procedure until condition is corrected. We recommend you not exceed 1/8" rotation for each attempt.

Condition 2: Pad creates a ridge on the tip of the pad.

Rotate both adjusting screws counter clockwise, tighten locknut's and test. Repeat procedure until condition is corrected. Use only 1/8 rotation for each attempt.

Condition 3: Pad creates a ridge on only one side of the pad.

Either rotate the adjusting screw of the side effected clockwise or rotate the adjusting screw opposite counterclockwise, depending on whether the ridge terminates beyond the tip of the pad or prior to it. If it is prior to the tip, adjust the side effected, otherwise adjust the opposite side.

Sanding Cuts & Sandpaper

Initial Cut:

The purpose of the initial cut is to remove old finish and gross imperfections on the floor surface. Use a course (20-36 grit) grain abrasive.


If glazing, loading, or burning takes place immediately into an initial cut, select a coarser abrasive. If this should occur during an initial cut, the abrasive has dulled and must be replaced.

Final Cuts:

The purpose of a finishing cut is to remove the scratches produced during the initial cut. Use a fine (60-80 grit) grain abrasive.

If the surface remains rough after a finishing cut, it may be necessary to use an even finer grain of abrasive (80-100grit). Care should be taken in selecting the grit size of the abrasive. A very fine grain will close the pores on a wood floor making admission of a stain difficult. If glazing or burning should occur the abrasive has dulled and must be replaced.

Routine Maintenance

 **CAUTION:** Failure to perform maintenance at recommended intervals may void warranty.

Carbon Brushes

Have the carbon brushes replaced at least every 500 hours and more frequently under heavy use.

Dust Bag

Periodically the dust bag should be turned inside out, shaken vigorously and machine washed in cold water to prevent pore blockage and loss of dust control.

Bearings

To insure reliable performance, have armature and pad driver bearings inspected for wear or damage after every 1500 hours. If used heavily, have the bearings replaced seasonally.

Lubrication

The machine comes fully lubricated. The gears in the gear box have enough lubrication for approximately six months of normal operation. Have the lubricant changed at least every 6 months or more frequently under heavy use.

Maintenance

CAUTION: Maintenance and repairs performed by unauthorized personnel could result in damage or injury. Maintenance and repairs performed by unauthorized personnel will void your warranty. Failure to perform maintenance at recommended intervals may void warranty.

Carbon Brushes

Inspect all four brushes every 6 months or 250 hours. Access to the brushes is gained through the front and back motor vent plugs and under both motor covers (Figure 7). Press tab (A) on spring clip assembly in, rotate, then remove (Figure 8). Use needle-nose pliers to disconnect the shunt wire. If any brush has worn to 3/8" in length or shorter, replace the entire set.

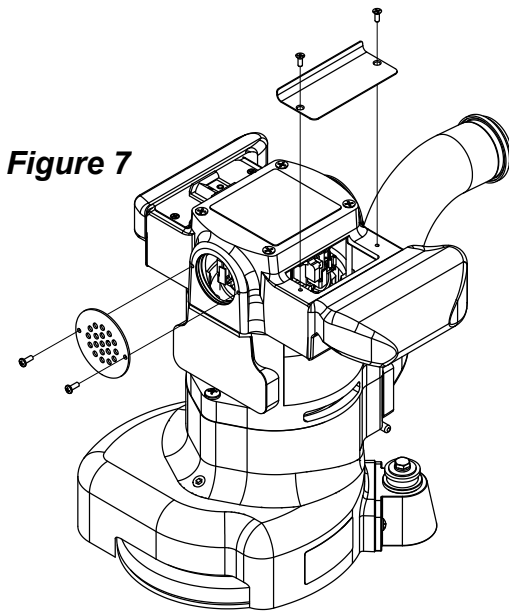


Figure 7

CAUTION: Use only motor brush PN 40818A or PN 40055A with shunt wire or motor failure will occur.

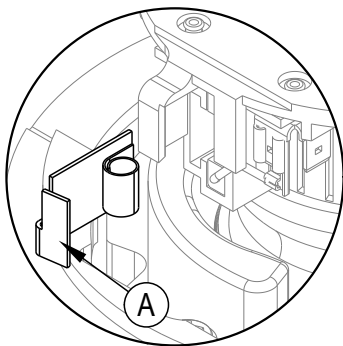


Figure 8

When replacing the brushes make sure that the brush seats against the commutator, the spring rest in the recess of the brush, and the brush is free to travel. When returning the switch cover, keep any wires clear of the commutator and any pinch site.

Gearbox Lubricant

To change the lubricant in the gearbox, follow this procedure:

1. Put the machine upside down on a bench.
2. Align one of the two holes in the rubber pad with one of the three holes in the rotating wall guard.
3. Align both holes with one of the three screws in the gear housing cover. Remove the screw from the gear housing cover. (Figure 9)

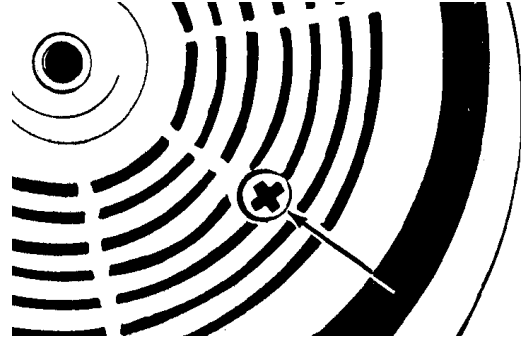


Figure 9

4. Align the holes with each of the other two screws, then remove screws.

CAUTION: Make sure no dust enters the gear box. Damage will occur to the gear box.

5. Remove the cover from the gear housing.
6. Remove the old lubricant from the gearbox.
7. Add six ounces of American Sanders Technology lubricant to the gear box.

Lubricants	
Quantity	Part Number
1 Quart	16610A
1 Gallon	16611A

CAUTION: To prevent damage to the motor, do not add more than six ounces of lubricant to the gearbox.

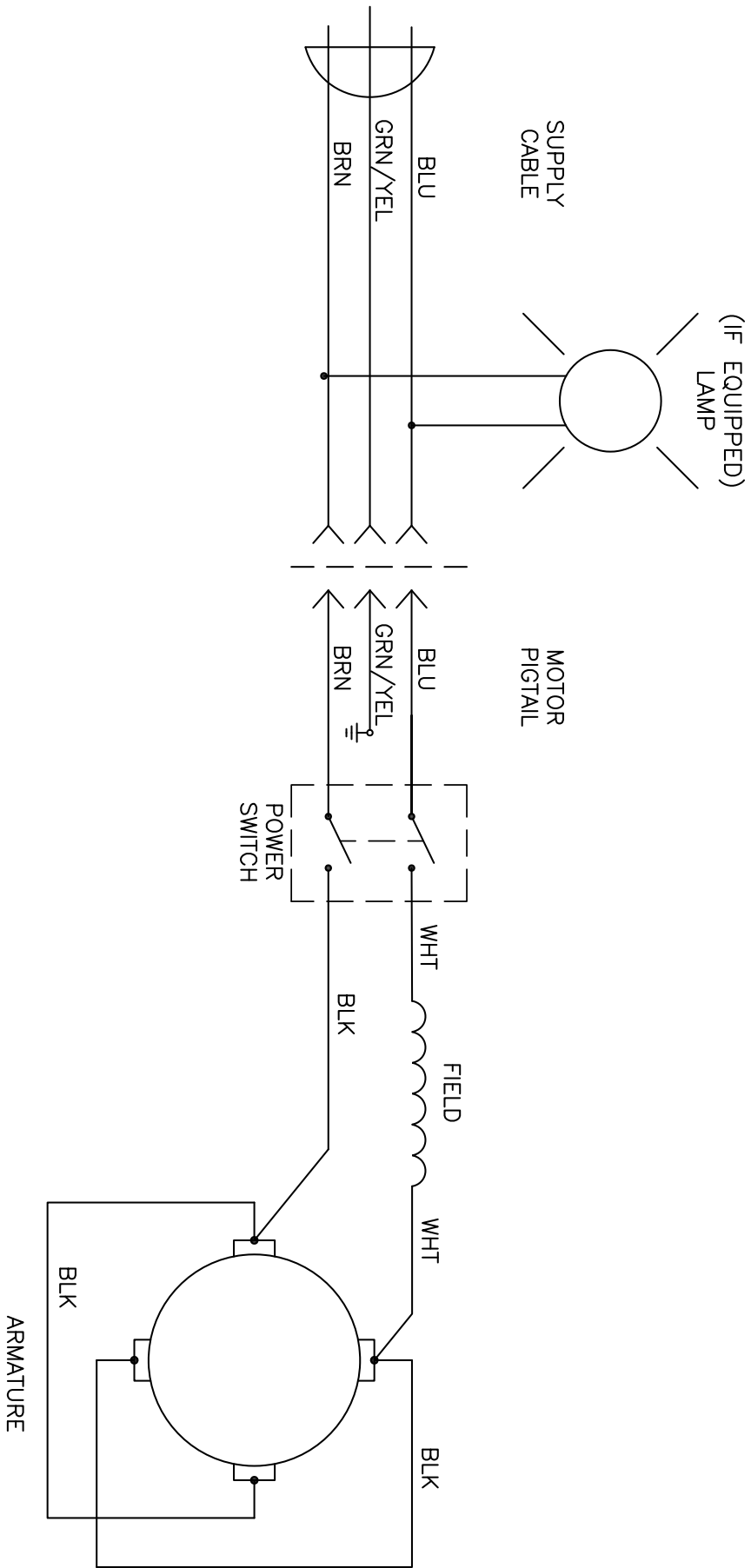
8. Using the three screws removed above, install the cover on the gear housing.
9. Start the machine and let it run for 15 minutes. A small amount of excess lubricant should flow out the vent hole. If none appears it may be necessary to add additional lubricant.
10. Wipe off excess lubricant and clear vent hole.

Super 7R 230V Edger Parts Manual

Notes:



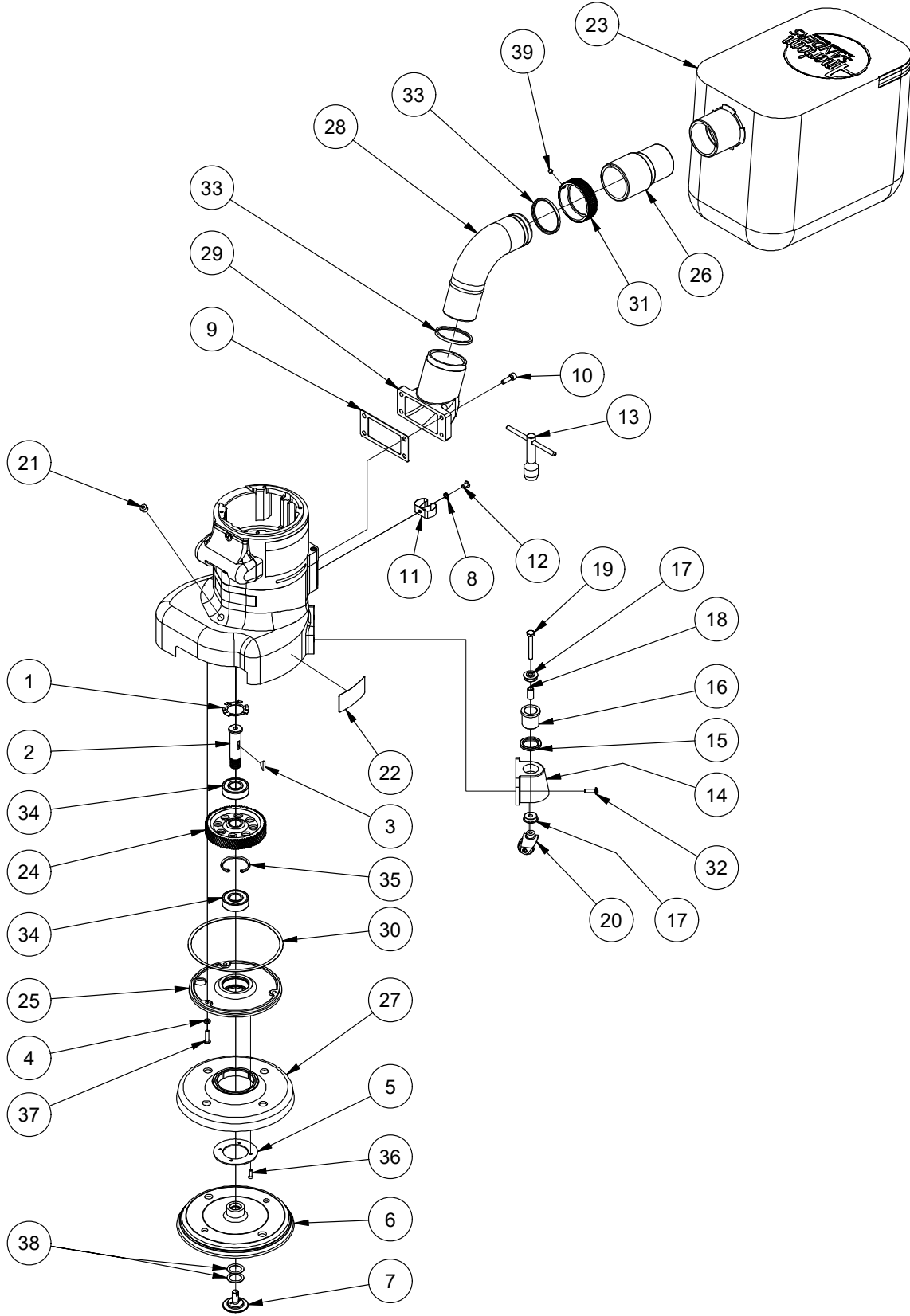
Electrical Schematic



RF064100

121021

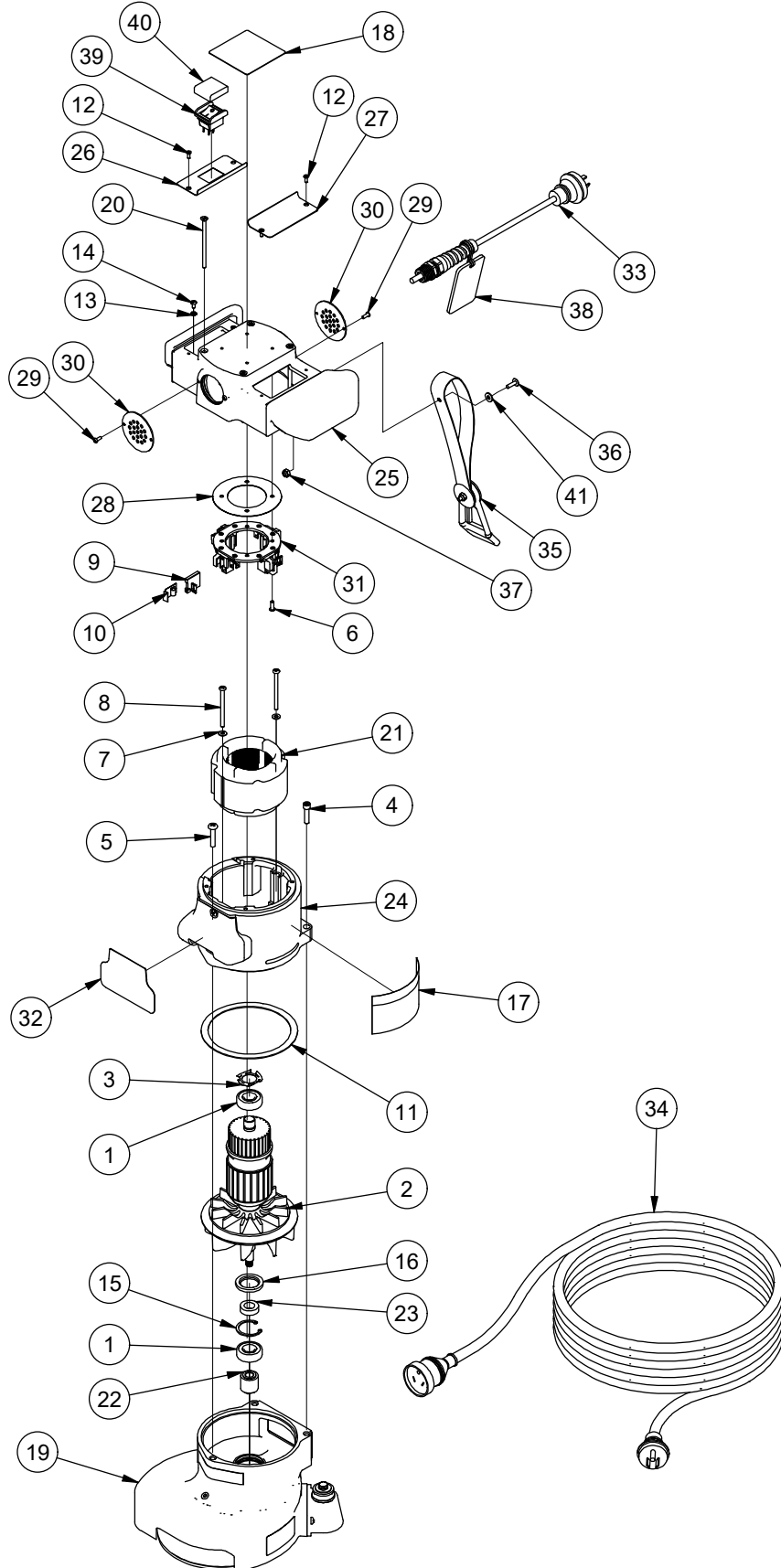
Lower Assembly



Lower Assembly (continued)

<u>Item</u>	<u>Ref. No.</u>	<u>Description</u>	<u>Qty</u>	<u>Item</u>	<u>Ref. No.</u>	<u>Description</u>	<u>Qty</u>
1	318303	SPRING, LOAD, 76	1	24	303502	GEAR, DRIVE	1
2	307702	SHAFT, DRIVE, GEAR	1	25	302306	COVER, GR HOUSING ASM.	1
3	915028	KEY, 1/8 X 5/8, WDRF 5	1	26	30563A	2" X 1.50" HOSE ADAPTOR	1
4	87609A	WASHER, SEAL, 10, NEO-PRENE/STEEL	3	27	293616	GUARD, DISC, S7A/R	1
5	317204	DISC, GUARD, RETAINER	1	28	61564A	TUBE, EXHAUST, S-7	1
6	21066A	DISC, SANDING, S-7R	1	29	21077A	ADAPTOR, EXHAUST, SUPER-7	1
7	960125	CLAMP, ABRASIVE, S-7R	1	30	34232A	GASKET, GEAR CASE COVER	1
8	980603	WASHER, LK 10 EXT TOOTH	1	31	AS009900	NUT-SLIP JOINT 2X2, LOCK (07098A & 07243A)	1
9	293406	GASKET, EXHAUST, BRKT 95	1		80276A	NUT-SLIP JOINT 2X2 (07099A)	1
10	962289	SCREW, 1/4-20 X 3/4 SOCKET HD	4	32	962109	SCREW, 10-24 X 5/8, PN, SS	4
11	302101	CLIP, STEEL	1	33	30613A	SEAL, PIPE, S-7 & B-2 EDGERS	2
12	962987	SCREW, 10-24 X 3/8 PN ST TYP 23	1	34	902550	BEARING, BALL, 6203	2
13	987300	WRENCH, PAPER CLAMP SCREW	1	35	L067304	RING, RETAINING, R042	1
14	310803	BRACKET, CASTER SUPPORT	2	36	962974	SCREW, 6-32 X 1/2, FH, ST, PH	4
15	920670	NUT, LOCK, ADJUST	2	37	84808A	SCREW, 10-24 X 3/4, RD, SZ, PH	3
16	960130	SCREW, SWIVEL, CASTER	2	38	980088	WASHER, 94, BE7	2
17	AS116200	BEARING, BALL, 1/4 X 3/4, SHIELD	4	39	NB072400	SCREW, SET, 1/4-20 X 3/16" (07098A & 07243A)	1
18	298215	COLLAR, SPACING	2	[]	AS035800	CASE, EDGER, S7-B2	1
19	85702A	SCR 1/4-20 X 1 3/4 HX ST CAP	2	*	30666A	WHEEL & YOKE URETHANE EDGERS	1
20	AS116300	WHEEL & YOKE ASM.	2	*	10827A	EXHAUST CONVERSION KIT S-7R	1
21	316804	PLUG, PIPE, 77E17	1	*	38728A	DISC CONV HOOK 6-7/8 10ea/BX	1
22	56380216	DECAL, POWER TOOL CAUTIONARY	1	[]	10827A	NOT SHOWN	
23	53544B	BAG, EDGER	1	*	10827A	OPTIONAL, NOT SHOWN	

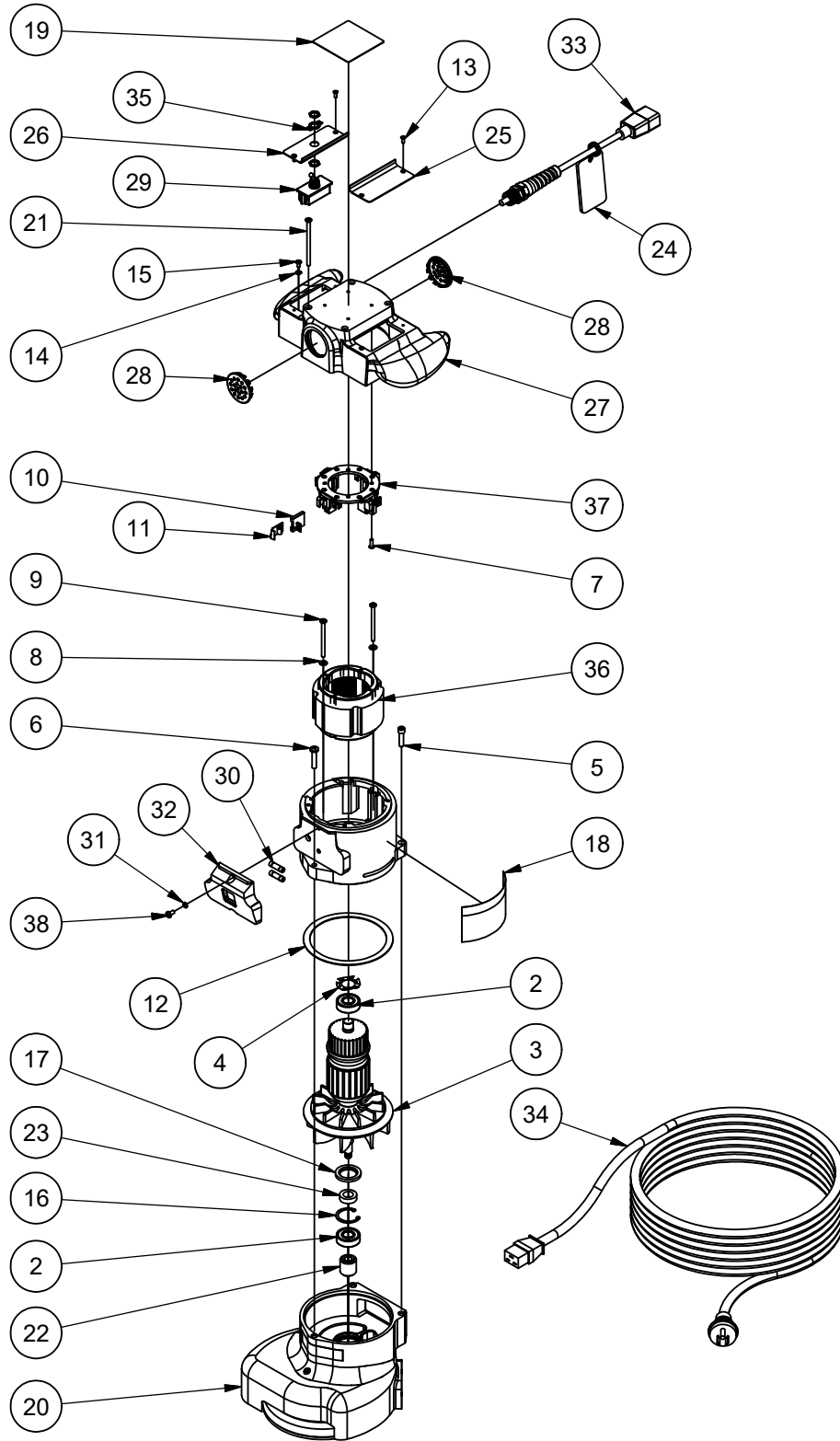
Upper Assembly (07098A)



Upper Assembly (07098A) (continued)

<u>Item</u>	<u>Ref. No.</u>	<u>Description</u>	<u>Qty</u>	<u>Item</u>	<u>Ref. No.</u>	<u>Description</u>	<u>Qty</u>
1	902567	BEARING BALL DOUBLE SEALED	2	22	293514	PINION, ARMATURE	1
2	10110A	ARMATURE ASM SUPER 7R 240V 50	1	23	308202	SPACER, BEARING	1
3	298306	SPRING, LOAD, 56	1	24	AS005100	HOUSING AND GUARD	1
4	962454	SCREW, 1/4 - 20 X 1, SC ST CAP	2	25	AS009800	COVER AND HANDLE ASM., AUST.	1
5	962988	SCREW, 1/4-20 X 1-1/4, PN, ST, PH	1	26	AS008700	COVER, MOTOR, BRUSH, SWITCH	1
6	962727	SCREW, 8-32 X 1/2 PN ST TP23 PH	4	27	AS008800	COVER, MOTOR, BRUSH, LH, AUST.	1
7	980643	WASHER, 7/16 OD X .036 THK.	2	28	AS007200	RING, INSULATOR, BRUSH HOLDER	1
8	962211	SCREW, 10-24 X 2.5, RD P ST	2	29	962330	SCREW 6-32 X 3/8 PAN HD	4
9	40055A	BRUSH, CARBON	4	30	AS008100	PLUG, VENT, PLATE	2
10	50932A	SPRING BRUSH HOLDER	4	31	AS015000	HOLDER, BRUSH, SUPER 7R, ASM., AUST.	1
11	293403	GASKET, EXHAUST FAN, BAFFLE	1	32	AS014900	NAMEPLATE, FRONT, SUPER 7R	1
12	962545	SCREW, 6-32 X 3/8, FLAT HD	4	33	AS035300	CORD, SANDER, PIGTAIL, AUST.	1
13	980621	WASHER, LOCK, EXTERNAL TOOTH	1	34	AS035200	CORDSET, 49 FEET, AUST.	1
14	962550	SCREW, 8-32 X 5/16	1	35	AS081200	STRAP, HOLDER, CORD, ASM.	1
15	407302	RING, RETAINING	1	36	NB9640	SCREW, PAN HEAD, #10-32 UNF, X 3/4	1
16	297604	OIL SEAL 92	1	37	NB9735	NUT, LOCK, 10-24, NYLON	1
17	73285A	LABEL, WARNING	1	38	70175A	TAG WARNING ENG-SPN	1
18	AS014300	NAMEPLATE, AMERICAN SANDERS, 3"	1	39	AS020500	SWITCH, ROCKER, HIGH INRUSH	1
19	304204	HOUSING, GEAR	1	40	AS033800	COVER, ROCKER SWITCH	1
20	962404	SCREW, 10-24 X 3-1/4, FH, ST, PH	4	41	NB9645	WASHER, FLAT, #10	1
21	AS013500	FIELD & COIL, SUPER 7R, ASM., 240V	1				

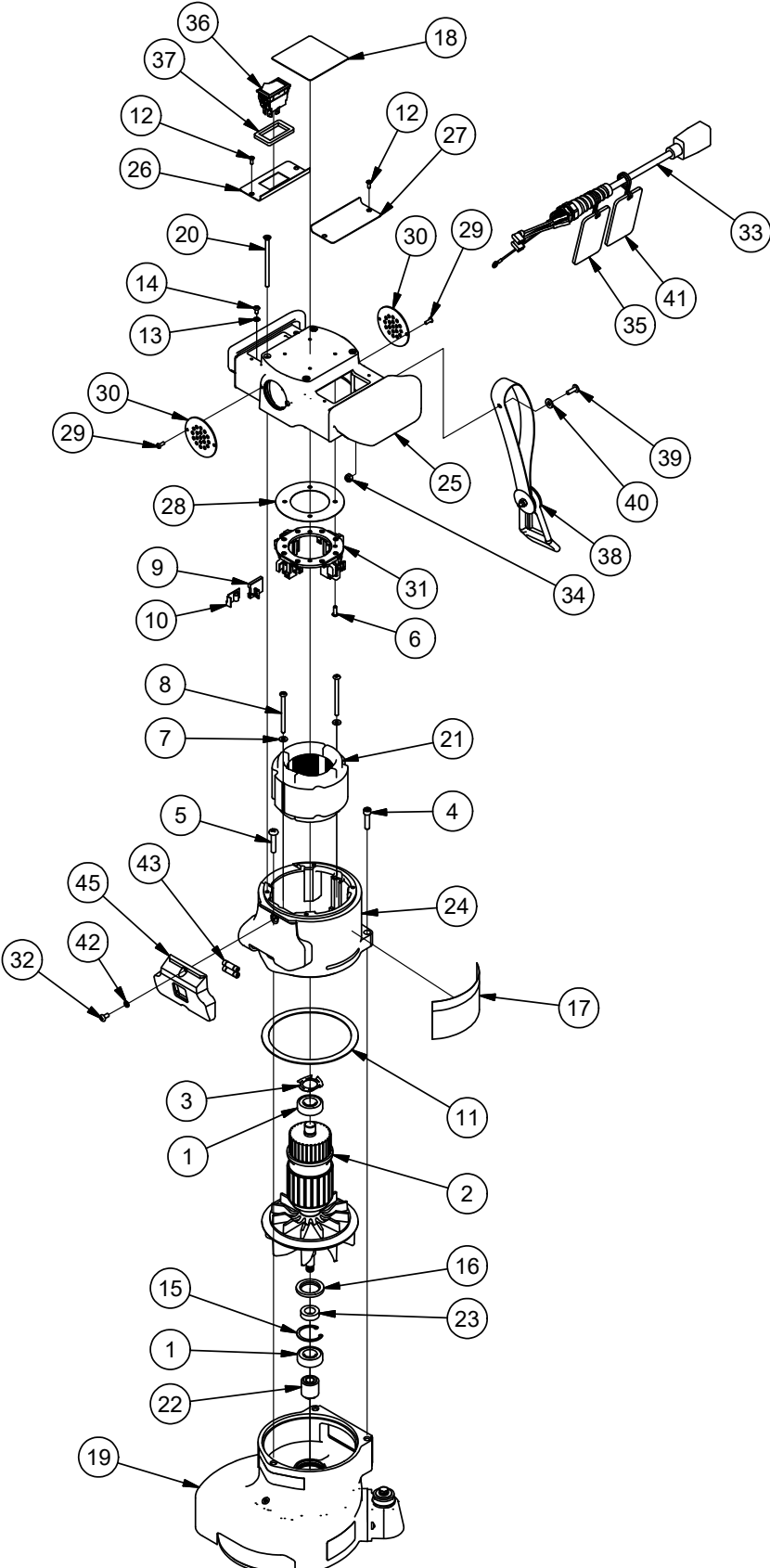
Upper Assembly (07099A)



Upper Assembly (07099A) (continued)

<u>Item</u>	<u>Ref. No.</u>	<u>Description</u>	<u>Qty</u>	<u>Item</u>	<u>Ref. No.</u>	<u>Description</u>	<u>Qty</u>
1	318303	SPRING, LOAD, 76	1	21	962404	SCREW, 10-24 X 3-1/4, FH, ST, PH	4
2	902567	BEARING BALL 6202-2Z	2	22	293514	PINION, ARMATURE	1
3	10110A	ARMATURE ASM SUPER 7R 240V 50	1	23	308202	SPACER, BEARING	1
4	298306	SPRING, LOAD, 56	1	24	70175A	TAG WARNING ENG-SPN	1
5	962454	SCREW, 1/4 - 20 X 1, SC ST CAP	2	25	302309	COVER MOTOR BRUSH L H	1
6	962988	SCREW, 1/4-20 X 1-1/4, PN, ST, PH	1	26	302310	COVER MOTOR BRUSH R H	1
7	962727	SCREW, 8-32 X 1/2 PN ST TP23 PH	4	27	302312	COVER & HANDLE ASM. POLISHED	1
8	980643	WASHER, 7/16 OD X .036 THK.	2	28	306802	PLUG, VENT	2
9	962211	SCREW, 10-24 X 2.5, RD P ST	2	29	47394A	SWITCH DPST 16A/125V SUPER	1
10	40055A	BRUSH, CARBON	4	30	NB084800	NON-CRIMP, BUTT SPLICE 18- 24GA	2
11	50932A	SPRING BRUSH HOLDER	4	31	980650	WASHER, .19 X .34 X .04 LOCK	1
12	293403	GASKET, EXHAUST FAN, BAFFLE	1	32	AS121600	HOUSING, LED LIGHT, ASM.	1
13	962545	SCREW, 6-32 X 3/8, FLAT HD	4	33	AS020700	CORD, PIGTAIL, SANDER, 1.5MM	1
14	980621	WASHER, LOCK, EXTERNAL TOOTH	1	34	AS020800	CORD, POWER SUPPLY, SANDER, 1.5MM, AUST.	1
15	962550	SCREW, 8-32 X 5/16	1	35	646302	PLATE-SWITCH	1
16	407302	RING, RETAINING	1	36	42819A	FIELD & COIL ASM 240V	1
17	297604	OIL SEAL 92	1	37	40130A	HOLDER ASM. BRUSH	1
18	73285A	LABEL, WARNING	1	38	85397A	SCREW 10-24X 3/8 PN ST TP F PH	1
19	AS014300	NAMEPLATE, AMERICAN SANDERS, 3"	1	39	AS126800	HARNESS, LED, 8 WATT(NOT SHOWN)	1
20	304204	HOUSING, GEAR	1				

UPPER ASSEMBLY 07243A



UPPER ASSEMBLY 07243A (continued)

<u>Item</u>	<u>Ref. No.</u>	<u>Description</u>	<u>Qty</u>	<u>Item</u>	<u>Ref. No.</u>	<u>Description</u>	<u>Qty</u>
1	902567	BEARING BALL 6202-2Z	2	26	AS005200	COVER, MOTOR, BRUSH, SWITCH	1
2	10110A	ARMATURE ASM SUPER 7R 240V 50	1	27	AS008800	COVER, MOTOR, BRUSH, LH, AUST.	1
3	298306	SPRING, LOAD, 56	1	28	AS007200	RING, INSULATOR, BRUSH HOLDER	1
4	962454	SCREW, 1/4 - 20 X 1, SC ST CAP	2	29	962330	SCREW 6-32 X 3/8 PAN HD	4
5	962988	SCREW, 1/4-20 X 1-1/4, PN, ST, PH	1	30	AS008100	PLUG, VENT, PLATE	2
6	962727	SCREW, 8-32 X 1/2 PN ST TP23 PH	4	31	AS015000	HOLDER, BRUSH, SUPER 7R, ASM., AUST.	1
7	980643	WASHER, 7/16 OD X .036 THK.	2	32	85397A	SCREW 10-24X 3/8 PN ST TP F PH	1
8	962211	SCREW, 10-24 X 2.5, RD P ST	2	33	AS091800	CORD, PIGTAIL, HANDLE, IEC CE	1
9	40055A	BRUSH, CARBON	4	34	NB9735	NUT, LOCK, 10-24, NYLON	1
10	50932A	SPRING BRUSH HOLDER	4	35	70175A	TAG WARNING ENG-SPN	1
11	293403	GASKET, EXHAUST FAN, BAFFLE	1	36	MP488800	SWITCH, ROCKER, DPST, 20A	1
12	962545	SCREW, 6-32 X 3/8, FLAT HD	4	37	AS086800	SPACER, SWITCH	1
13	980621	WASHER, LOCK, EXTERNAL TOOTH	1	38	AS081200	STRAP, HOLDER, CORD, ASM.	1
14	962550	SCREW, 8-32 X 5/16	1	39	NB9640	SCREW, PAN HEAD, #10-32 UNF, X 3/4	1
15	407302	RING, RETAINING	1	40	NB9645	WASHER, FLAT, #10	1
16	297604	OIL SEAL 92	1	41	70175A-FR	TAG WARNING ENG-FRN	1
17	73285A	LABEL, WARNING	1	42	980650	WASHER, .19 X .34 X .04 LOCK	1
18	AS014300	NAMEPLATE, AMERICAN SANDERS, 3"	1	43	NB084800	NON-CRIMP, BUTT SPLICE 18-24GA	2
19	304204	HOUSING, GEAR	1	44	980603	WASHER, LK 10 EXT TOOTH	1
20	962404	SCREW, 10-24 X 3-1/4, FH, ST, PH	4	45	AS121600	HOUSING, LED LIGHT, ASM.	1
21	AS013500	FIELD & COIL, SUPER 7R, ASM., 240V	1	46	AS12680	HARNESS, LED, 8-WATT(NOT SHOWN)	1
22	293514	PINION, ARMATURE	1	*		OPTIONAL, NOT SHOWN	
23	308202	SPACER, BEARING	1	*	MP513000	CORD, POWER SUPPLY, CE, RED	1
24	AS005100	HOUSING AND GUARD ASM., ETL, CAST	1	*	MP539500	CORD, UK13, C19	1
25	AS009800	COVER AND HANDLE ASM., AUST.	1				



1 Eclipse Road, Sparta, NC 28675
800.367.3550 | +1.336.372.8080

EC DECLARATION OF CONFORMITY

according to
EC Machinery Directive 2006/42/EC

We, Amano Pioneer Eclipse Corp. (1 Eclipse Road, PO Box 909, Sparta NC28675, USA) with authorized EU representative (see info under section importer) declare under our sole responsibility that the following described equipment in our delivered version complies with the appropriate basic safety and health requirements of the above-mentioned Directives based on its design and type, as brought into circulation by us. In case of alteration of the machine, not agreed upon by us, this declaration will lose its validity.

Applicable EC Directives:

- **Electromagnetic Compatibility Directive 2014/30/EU** of 26 February 2014
- **Low Voltage Directive 2014/35/EU** of 26 February 2014
- **Machinery Directive 2006/42/EC + Amending Directive 95/16/EC** of 17 May 2006
- **Restriction of the use of certain hazardous substances in electrical and electronic equipment Directive 2011/65/EU** of 8 June 2011

Applicable Harmonized Standards: EN 60335-1:2010 + Corr.1:2010 + Corr.2:2011 + A1:2013 + Corr.1:2014
EN 60335-2-72:2012, EN 62233:2008, EN 55014-1:2006 + A1:2009 + A2:2011
EN 55014-2:1997 + A1:2001 + A2:2008, EN 61000-3-2:2014
EN 61000-3-3:2013, EN 50581:2012,

Type of Equipment: Commercial Wood Floor Sander

Model Number(s): 07243A

Description(s): SUPER7R 230V 50HZ

Serial Number: _____

Year in which CE marking was affixed: 2021

Place: Sparta

Signature: _____

Date: _____

Name: _____

Position: _____

Importer's Name: _____

Date: _____

Importer's Address: _____

Name and Signature: _____



Model: **Super 7R**

Part No: **07243A**

Serial No: **S001001**

Volts: **230V** Freq: **50Hz**

Watts: **1300** Amps: **6**

??? **2800 RPM**

Sparta, NC 28675 USA

Limited Warranty

Super 7R 230V

TO QUALIFY FOR THIS WARRANTY

- (1) Machine must be registered within 30 days from the time of purchase on a form provided by American Sanders. Your American Sanders Distributor is responsible for the registration of your machine. Please cooperate with your Distributor in supplying necessary information on the card.
- (2) The machine must have been purchased from American Sanders or an authorized American Sanders Distributor.
- (3) This warranty extends to the original purchaser only and is not transferable to subsequent owners.

TIME PERIODS

ONE (1) YEAR WARRANTY - For the Super 7R.
Warranted to be free from defects in material and workmanship for a period of one (1) year from the date of purchase by the original owners. (See Exclusions)

EXCLUSIONS (Not Covered by Warranty)

- (1) Expendable wear items and parts that fail through normal wear by reason of their characteristics (cords, pads, grip face, wheels, isolators, filters, bags, or other consumable parts).
- (2) This warranty does not extend to parts affected by misuse, neglect, abuse, accidents, damage in transit, overloading the capacity of the machine, failure due to lack of proper maintenance or care as described in the operating and maintenance instructions. All defective parts must be returned to the distributor for credit.
- (3) Minor adjustments, such as tightening of screws or bolts not connected with the replacement of parts, are not covered.
- (4) Repairs or alterations by an organization other than the factory or an Authorized Service Center are not covered and will void any American Sanders warranty as to the parts or systems repaired or altered by a non-authorized organization.

THE OBLIGATION OF AMERICAN SANDERS

- (1) The obligation of American Sanders under this warranty is limited to repairing or replacing, at its option, any part which is proven to be defective in material or workmanship under normal use for the applicable period stated above.
- (2) Warranty repairs will be made by your American Sanders Distributor without charge for parts and labor. They will be compensated with a warranty labor rate of \$75.00 per hour, for the first year of ownership.
- (3) Parts repaired or replaced under this warranty are warranted only during the balance of the original warranty period. All defective parts replaced under these warranties become the property of American Sanders.

WARRANTY SERVICE

To obtain warranty service, take your machine and proof of purchase to any authorized American Sander Distributor. American Sanders will not reimburse expenses for service calls or travel. For the Distributor in your area, call American Sanders Customer Service Department at +1-336-372-8080, Monday through Friday, between the hours of 8:00am and 5:00pm US Eastern Standard Time. If you are dissatisfied with the service that you receive, call or write American Sanders Customer Service Department for further assistance.

INSTRUCTIONS AND CONDITIONS FOR WARRANTY REIMBURSEMENT

- Order replacement part: Orders will be processed and charged, as normal procedure.
- Call American Sanders for R/A number.
- You will need the Machine Serial Number and the Machine Model Number.
- Parts must be returned, accompanied with the R/A number to be eligible for warranty credit.
- All Warranty Parts will be shipped prepaid UPS Ground, any other method will be at the recipients expense.
- Freight on any Warranty Part after 30 days must be paid for by the Purchaser.
- Warranty labor rate is \$75.00 USD per hour.
- Credit will be issued upon completion of the above steps, at the above rates.

Transportation of hazardous waste or contaminated equipment is subject to various laws and regulations. In returning machines, parts, or accessories under this limited warranty, the end user must certify in writing that the machines, parts, or accessories being returned have not been used for handling, clean up, or disposal of hazardous waste or hazardous materials including but not limited to such things as asbestos, anthrax etc. or if the machines, parts, or accessories being returned have been used for handling, clean up, or disposal of hazardous waste or hazardous materials, then the end user must have the machines, parts or accessories decontaminated by licensed and qualified decontamination professionals and provide written certification of this decontamination signed by the decontamination professionals. These machines, parts or accessories are to be returned only to the local American Sanders Service Center for warranty service along with decontamination certification.

DISCLAIMER OF CONSEQUENTIAL

THERE ARE NO WARRANTIES THAT EXTEND BEYOND THE DESCRIPTION OF THE LIMITED WARRANTIES STATED WITHIN. NO OTHER WARRANTY, EXPRESSED OR IMPLIED, INCLUDING BUT NOT LIMITED TO ANY IMPLIED WARRANTY OF MERCHANTABILITY OR FITNESS FOR A PARTICULAR PURPOSE, IS MADE EXCEPT AS EXPRESSLY STATED HEREIN. ANY STATUTORY IMPLIED WARRANTIES, INCLUDING ANY WARRANTY OF MERCHANTABILITY OR FITNESS FOR A PARTICULAR PURPOSE, THAT ARE IMPOSED BY LAW DESPITE THE EXPRESS LIMITATION OR WARRANTIES ABOVE, ARE EXPRESSLY LIMITED TO THE DURATION OF THE WRITTEN WARRANTY. BUYER UNDERSTANDS, ACKNOWLEDGES AND AGREES THAT THE REMEDIES PROVIDED UNDER THIS LIMITED WARRANTY ARE THE SOLE AND EXCLUSIVE REMEDIES AVAILABLE TO THE BUYER. AMERICAN SANDERS DISCLAIMS ANY RESPONSIBILITY FOR LOSS OF USER TIME OF THE AMERICAN SANDERS MACHINE OR ANY OTHER INCIDENTAL OR CONSEQUENTIAL DAMAGES. THIS INCLUDES, BUT NOT LIMITED TO INDIRECT, SPECIAL OR CONSEQUENTIAL DAMAGES ARISING OUT OF OR IN CONNECTION WITH THE FURNISHING, PERFORMANCE, USE OF OR INABILITY TO USE THE MACHINE. ANY EXTENSIONS OF OR MODIFICATIONS MADE TO THIS WARRANTY BY A DEALER/DISTRIBUTOR OF AMERICAN SANDERS ARE THE SOLE RESPONSIBILITY OF THE DEALER/DISTRIBUTOR.

American Sanders reserves the right to change its warranty policy without notice.

Copyright 2022 American Sanders



American Sanders

an AMANO Company

1 Eclipse Rd ● PO Box 909
Sparta, North Carolina 28675 ● USA
www.pioneereclipse.com
www.americansanders.com

+1-336-372-8080
1-800-367-3550
Fax 1-336-372-2913