



Orbital Sander
OBS-18
Operator's Manual



READ THIS BOOK

This book has important information for the use and safe operation of this machine. Failure to read this book prior to operating or attempting any service or maintenance procedure to your American Sanders machine could result in injury to you or to other personnel; damage to the machine or to other property could occur as well. You must have training in the operation of this machine before using it. If your operator(s) cannot read this manual, have it explained fully before attempting to operate this machine.

All directions given in this book are as seen from the operator's position at the rear of the machine.

Section A - Contents

Operator Safety Instructions.....	2
General Power Tool Safety Warnings.....	3
Introduction.....	6
Machine Specifications.....	6
Machine Transportation.....	6
Machine Setup.....	7
Safety Instructions.....	7
Dust Collection.....	8
Operating Instructions.....	9
Sanding Cuts & Sandpaper.....	9
Troubleshooting.....	10

Section D - Parts Manual

Notes.....	35
115V Electrical Schematic.....	36
230V Electrical Schematic.....	37
Base Assembly.....	38
Motor Assembly - Standard.....	40
Motor Assembly - Dust Collection.....	42
Handle Assembly 115V.....	44
Handle Assembly 230V.....	46
Handle Assembly 230V CE.....	48
07083A Serial Tag.....	50
EC Declaration of Conformity.....	51
Warranty.....	52

WARNING!

The Products sold with this Manual contain or may contain chemicals that are known to certain governments (such as the State of California, as identified in its Proposition 65 Regulatory Warning Law) to cause cancer, birth defects or other reproductive harm. In certain locations (including the State of California) purchasers of these Products that place them in service at an employment job site or a publicly accessible space are required by regulation to make certain notices, warnings or disclosures regarding the chemicals that are or may be contained in the Products at or about such work sites. It is the purchaser's responsibility to know the content of, and to comply with, any laws and regulations relating to the use of these Products in such environments. The Manufacturer disclaims any responsibility to advise purchasers of any specific requirements that may be applicable to the use of the Products in such environments.

*****This product is intended for commercial use only*****


Operator Safety Instructions

In this Operation Manual you will find three statements that you must read and observe to ensure safe operation of this machine.


DANGER means: Severe bodily injury or death can occur to you or other personnel if the **DANGER** statements found on this machine or in this Operation Manual are ignored or are not adhered to. Read and observe all **DANGER** statements found in this Operation Manual and on your machine.

WARNING means: Injury can occur to you or to other personnel if the **WARNING** statements found on your machine or in the Operation Manual are ignored or are not adhered to. Read and observe all **WARNING** statements found in this Operation Manual and on your machine.

CAUTION means: Damage can occur to the machine or to other property if the **CAUTION** statements found on your machine or in this Operation Manual are ignored or are not adhered to. Read and observe all **CAUTION** statements found in this Operation Manual and on your machine.


 **DANGER:** Failure to read the Owner's Manual prior to operating or servicing your American Sanders machine could result in injury to you or to other personnel; damage to the machine or to other property could occur as well. You must have training in the operation of this machine before using it. If you or your operator(s) cannot read English, have this manual explained fully before attempting to operate this machine.



 **DANGER:** A. Sanding/finishing wood floors can create an explosive or combustible environment. Do not operate this machine around solvents, thinners, alcohol, fuels, floor finishes, wood dust or any other flammable materials. Cigarette lighters, pilot lights, electrical sparks and all other sources of ignition should be extinguished or avoided. Keep work area well ventilated.




B. Dust generated from sanding wood floors can spontaneously ignite or explode. Promptly dispose of any sanding dust in a metal container clear of any combustibles. Do not dispose in a fire.

 **DANGER:** A. Electrocutation could occur if the machine is being serviced while the machine is connected to a power source. Disconnect the power supply before servicing.




B. Electrocutation or fire could occur if the machine is being operated with a damaged power cord. Keep the power cord clear of the pad. Always lift the cord over the machine. Do not move the machine by the power cord.


C. Shock hazard. Do not use the machine if it has been rained on or sprayed with water.

 **DANGER:** To avoid injury keep hands, feet, and loose clothing away from all moving parts on the machine. Disconnect the power cord before replacing the pad, changing the abrasive, or when servicing. Do not operate the machine unless all guards are in place. Never leave the machine unattended while connected to a power source.





 **WARNING:** Injury can occur if protective clothing or equipment is not used while sanding. Always wear safety goggles, protective clothing, and dust mask while sanding.



 **WARNING:** This sander is not to be used on pressure treated wood. Some pressure treated woods contain arsenic and sanding pressure treated wood produces hazardous dust. Inhaling hazardous dust from pressure treated wood can cause serious injury or death. Sanding pressure treated wood decks or uneven surfaces can damage the sander which is not covered under warranty or damage waiver.



 **WARNING:** Any alterations or modifications of this machine could result in damage to the machine or injury to the operator or other bystanders. Alterations or modifications not authorized by the manufacturer voids any and all warranties and liabilities.

 **WARNING:** Risk of explosion. Floor sanding can result in an explosive mixture of fine dust and air. Use floor sanding machine only in a well-ventilated area free from any flame or match.

A SPECIAL WARNING ABOUT BAG FIRES



Dust generated from sanding raw or previously finished wood floors **CAN SPONTANEOUSLY IGNITE OR EXPLODE!** The sanding machine's **DUST CONTAINMENT BAG MUST BE EMPTIED FREQUENTLY** and before any work stoppage. **NEVER STORE SANDING DUST IN OR AROUND STRUCTURES OR OTHER COMBUSTIBLE MATERIALS.** Promptly dispose of any sanding dust outside in accordance with local regulations. Do not dispose in a fire.

General Power Tool Safety Warnings

WARNING: Read all safety warnings and instructions. Failure to follow warnings and instructions may result in electric shock, fire and or serious injury.

Save all warnings and instructions for future use.

The term "power tool" in the warnings refers to your main-operated (corded) power tool or battery operated (cordless) power tool.

1) Work area safety

- Keep work area clean and well lit.** Clutter or dark areas invite accidents.
- Do not operate power tools in explosive atmospheres, such as in the presence of flammable liquids, gasses, or dust.** Power tools create sparks which may ignite the dust or fumes.
- Keep children and bystanders away while operating a power tool.** Distractions can cause you to lose control.

2) Electrical safety

- a) **Power tool plugs must match the outlet. Never modify the plug in any way. Do not use any adapter plugs with earthed (grounded) power tools.** Unmodified plugs and matching outlets will reduce risk of electric shock.
- b) **Avoid body contact with earthed or grounded surfaces such as pipes, radiators, ranges, and refrigerators.** There is an increased risk of electric shock if your body is earthed or grounded.
- c) **Do not expose power tools to rain or wet conditions.** Water entering a power tool will increase the risk of electric shock.
- d) **Do not abuse the cord. Never use the cord for carrying, pulling or unplugging the power tool. Keep cord away from heat, oil, sharp edges or moving parts.** Damaged or entangled cords increase the risk of electric shock.
- e) **When operating a power tool outdoors, use an extension cord suitable for outdoor use.** Use of cord suitable for outdoor use reduces the risk of electric shock.
- f) **If operating a power tool in a damp location is unavoidable, use a residual current device (RCD) or ground fault circuit interrupter (GFCI) protected supply.** Use of a RCD or GFCI reduces the risk of electric shock.

3) Personal safety

- a) **Stay alert, watch what you are doing and use common sense when operating a power tool. Do not use a power tool while you are tired or under the influence of drugs, alcohol, or medication.** A moment of inattention while operating power tools may result in serious personal injury.
- b) **Use personal protective equipment. Always wear eye protection.** Protective equipment such as dust mask, non-skid safety shoes, hard hat, or hearing protection used for appropriate conditions will reduce personal injury.
- c) **Prevent unintentional starting. Ensure switch is in off-position before connecting to power source and/or battery pack, picking up, or carrying the tool.** Carrying power tools with your finger on the switch or energizing power tools that have the switch on invites accidents.
- d) **Remove any adjustment wrench or key before turning the power tool on.** A wrench or key left attached to a rotating part of the power tool may result in personal injury.
- e) **Do not overreach. Keep proper footing and balance at all times.** This enables better control of the power tool in unexpected situations.
- f) **Dress properly. Do not wear loose clothing or jewelry. Keep your hair, clothing and gloves away from moving parts.** Loose clothes, jewelry, or long hair can be caught in moving parts.
- g) **If devices are provided for the connection of dust extraction and collection facilities, ensure these are connected and properly used.** Use of dust collection can reduce dust related hazards. It is recommendation that the tool always be supplied via a residual current device with a rated residual current of 30mA or less.

4) Power tool use and care

- a) **Do not force the power tool. Use the correct power tool for your application.** The correct power tool will do the job better and safer at the rate for which it was designed.
- b) **Do not use the power tool if the switch does not turn it on and off.** Any power tool that cannot be controlled with the switch is dangerous and must be repaired.
- c) **Disconnect the plug from the power source and/or the battery pack from the power tool before making any adjustments, changing accessories or storing power tools.** Such preventative safety measures reduce the risk of starting the power tool accidentally.
- d) **Store idle power tools out of the reach of children and do not allow persons unfamiliar with the power tool or these instructions to operate the power tool.** Power tools are dangerous in the hands of untrained users.
- e) **Maintain power tools. Check for misalignment or binding of moving parts, breakage of parts and any other condition that may affect the power tool's operation. If damaged, have the power tool repaired before use.** Many accidents are caused by poorly maintained power tools.
- f) **Keep cutting tools sharp and clean.** Properly maintained cutting tools with sharp cutting edges are less likely to bind and are easier to control.
- g) **Use the power tool, accessories and tool bits ect. in accordance with these instructions, taking into account the working conditions and the work to be performed.** Use of the power tool for operations different from those intended could result in a hazardous situation.

5) Service

- a) **Have the power tool serviced by a qualified repair person using only identical replacement parts.** This will ensure that the safety of the power tool is maintained. If the supply cord is damaged, it must be replaced by the manufacturer, its service agent or similarly qualified persons in order to avoid a hazard.

Safety Warnings For Sanding Operations

1. This power tool is intended to function as a sander. Read all safety warnings, instructions and specifications provided with this power tool. Failure to follow all instructions listed below may result in electric shock, fire, or personal injury.
2. Operations such as grinding, wire brushing, polishing or cutting-off, are not recommended to be performed with this power tool. Operations for which the tool was not designed may create a hazard and cause personal injury.
3. Do not use accessories which are not specifically designed and recommended by the tool manufacturer. Just because the accessory can be attached to your power tool, it does not assure safe operation.
4. The rated speed of the accessory must be at least equal to the maximum speed marked on the power tool. Accessories running faster than their rated speed can break and fly apart.
5. The outside diameter and thickness of your accessory must be within the capacity rating of your power tool. Incorrectly sized accessories cannot be adequately guard or controlled.
6. The arbor size of wheels, flanges, backing pads or any other accessory must fit the spindle of the power tool. Accessories with arbor

holes that do not match the mounting hardware of the power tool will run out of balance, vibrate excessively and may cause loss of control.

7. Do not use damaged accessory. Before each use inspect the accessory such as abrasive wheel for chips or cracks, backing pad for cracks, tear or excess wear, wire brush for loose or cracked wires. If power tool or accessory is dropped, inspect for damage or install an undamaged accessory. After inspecting or installing an accessory, position yourself or bystanders away from the plane of the rotating accessory and run the power tool at maximum no-load speed for one minute. Damaged accessories will normally break apart during this time.
8. Wear personal protective equipment. Depending on application, use a face shield, safety goggles or safety glasses. As appropriate, wear dust mask, hearing protectors, gloves and workshop apron capable of stopping flying debris generated by various operations. The eye protection must be capable of stopping flying debris generated by various operations. The dust mask or respirator must be capable of filtering particles generated by your operations. Prolonged exposure to high intensity noise may cause hearing loss.
9. Keep bystanders a safe distance away from work area. Anyone entering the work area must wear personal protective equipment. Fragments of work piece or a broken accessory may fly away and cause injury beyond immediate area of operation.
10. Hold power tool by gripping insulated surfaces (handle) only, when performing an operation where the cutting accessory may contact hidden wiring or its own cord. Cutting accessory contacting a "live" wire may make exposed metal parts of the power tool "live" and shock the operator.
11. Position the cord clear of the spinning accessory. If you lose control, the cord may be cut or snagged and your arm or hand may be pulled into the spinning accessory.
12. Never lay the power tool down until the accessory has come to a complete stop. The spinning accessory may grab the surface and pull the power tool out of your control.
13. Do not run the power tool while carrying it at your side. Accidental contact with the spinning accessory could snag your clothing, pulling the accessory into your body.
14. Regularly clean the power tools air vents. The motor's fan will draw the dust inside the housing and excessive accumulation may cause electrical hazards.
15. Do not operate the power tool near flammable materials. Sparks could ignite these materials.
16. Do not use excessively oversized sanding disc paper. Follow manufacturer's recommendations when selecting sanding paper. Larger sanding paper extending beyond the sanding pad presents a laceration hazard and may cause snagging, tearing of the disc or kickback.
17. Risk of explosion. Floor sanding can result in an explosive mixture of fine dust and air. Use floor sanding machine only in a well-ventilated area free from any flame or match.

Kickback and Related Warnings

Kickback is a sudden reaction to a pinched or snagged rotating wheel, backing pad, brush or any other accessory. Pinching or snagging causes rapid stalling of the rotating backing pad which in turn causes uncontrolled power tool to be forced in the opposite direction of the backing pad's rotation at the point of the binding.

For example, if an abrasive wheel is snagged or pinched by the work piece, the edge of the wheel that is entering into the pinch point can dig into the surface of the material causing the wheel to climb out or kick out. The wheel may either jump toward or away from the operator, depending on direction of the wheel's movement at the point of pinching. Abrasive wheels may also break under these conditions.

Kickback is the result of power tool misuse and incorrect operating procedures or conditions and can be avoided by taking proper precautions as given below.

1. Maintain a firm grip on the power tool and position your body and arms to allow you to resist kickback forces. Always use auxiliary handles, if provided for maximum control over kickback or torque reactions during start up. The operator can control torque reactions or kickback forces, if proper precautions are taken.
2. Never place your hand near the rotating accessory. Accessory may kickback over your hand.
3. Do not position your body in the area where power tool will move if kickback occurs. Kickback will propel the tool in the direction opposite to the wheel's movement at the point of the snagging.
4. Use special care when working corners, sharp edges etc. Avoid bouncing and snagging the accessory. Corners, sharp edges or bouncing have a tendency to snag the rotating accessory and cause loss of control or kickback.

Additional Rules For Safe Operation

1. Empty the dust bag or dust collection receiver frequently. Do not leave residue in dust bag or dust collection receiver unattended. Always empty in a non-combustible metal container. Sanding wood or varnish produces dust that can self ignite and cause injury or damage. Follow this precaution for storage.
2. Set all exposed nails. Sweep loose abrasive away from work area. Do not strike metal pipes, etc., with sanding paper. Striking metal or abrasive particles with sanding paper produces sparks that could ignite the sanding dust which can cause injury or damage.
3. Do not operate a partially assemble power tool. Keep all adjustments within manufacturer's specifications. Keep all fasteners tight. Operating a partially assembled power tool could result in injury to the operator or bystander and could cause damage to the equipment or surroundings.
4. Do not attempt to change the sanding paper while the power tool is running. The sanding pad can snag clothing and cause injury to limbs and moving sanding paper can cause abrasions.
5. The power tool should only be used on an electrical system (mains) that is rated for the electrical requirements of the power tool as shown on the nameplate. Use only on an earthing (grounded) system. Do not service the power tool if it is energized or connected to an electrical circuit. Improper use could cause fire or electric shock.

Introduction

The OBS-18 or OBS-18DC can be used on a variety of surfaces. It is an ideal tool for wood flooring maintenance and restoration work. It is also suitable for cleaning hard surfaces such as tile or Terrazzo.

Machine Specifications

Model	OBS-18		OBS-18DC	
Model Number	07076B	07081B	07083B	07083A
Voltage / Frequency	115V / 60Hz	115V / 60Hz	230V / 50Hz	230V / 50Hz
Amperage (A)	10	10	5	5
Motor	1 hp 750 Watts	1 hp 750 Watts	1 hp 750 Watts	1 hp 750 Watts
Pad Size	12" X 18" (305mm X 457mm)	12" X 18" (305mm X 457mm)	12" X 18" (305mm X 457mm)	12" X 18" (305mm X 457mm)
Orbits Per Minute	3600	3600	3000	3000
Orbit Diameter	1/4" (6.4mm)	1/4" (6.4mm)	1/4" (6.4mm)	1/4" (6.4mm)
Shipping Weight	125 lbs (57 kg)	125 lbs (57 kg)	125 lbs (57 kg)	125 lbs (57 kg)
Noise (dBA)	74	74	74	74
Vibration (m/s/s)	11.2	11.2	11.2	11.2

Machine Transportation

To transport the machine, follow this procedure:

1. Unplug machine cord from the wall outlet and wrap the cord around the handle.
2. Raise and lock the handle in the upright position. To lock the handle, pull up on the Handle Release Compression Lever (see *Figure 1*).
3. Grasp the machine at the lift points (see *Figure 2*) and place in cargo area.

WARNING: The machine is heavy (125 lbs / 57 kg). To avoid injury or damage to the machine use a firm grip and proper lifting technique. Get assistance if necessary.

4. Secure machine to prevent movement in cargo area.

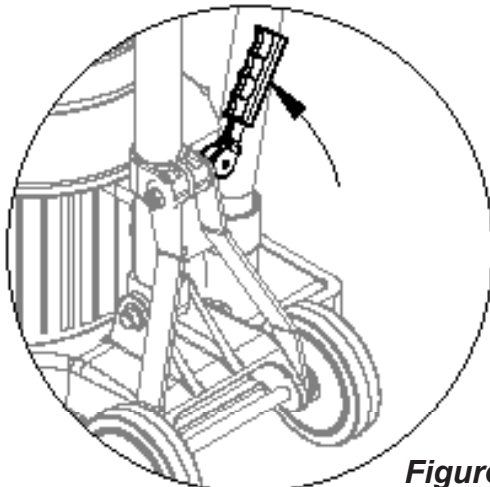
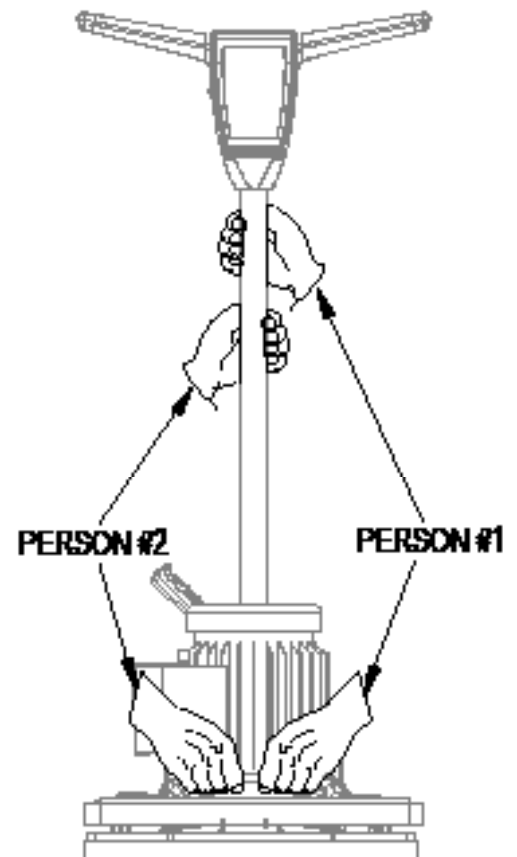


Figure 1

Figure 2



Machine Setup

To prepare the machine for use follow this procedure:

1. Familiarize yourself with the machine. Read all danger, warning, and caution statements and the Operator's Manual before operating the machine. If you or the operator are unable to read English, have this manual fully explained before attempting to operate this machine.
2. Install or replace pad. The pad should be replaced if it has become matted down to a thickness of 3/8" (9,5 mm) or less. To install or replace the pad, follow these instructions:
 - A. Lock handle in the upright position.
 - B. Tilt the machine back until it fully rests on the handle.
 - C. Standing over the machine, remove existing pad then center new pad over grip face.
 - D. Press pad against grip face until the hooks in the driver have set in the pad (see *Figure 3*).
 - E. Return machine to the upright position.



Figure 3

- WARNING:** Never put yourself or let others be in a position to get injured if the machine should tip or fall, while replacing the pad or changing abrasive.
- CAUTION:** Damage to the grip face will occur if the machine is operated without a pad or with a pad that is 3/8" (9,5 mm) or thinner

Extension Cords (120V)

Use only an approved extension cord with three conductors, a plug with three terminals, and a connector body with three holes.

- WARNING:** If you use an extension cord, use an extension cord with minimum wire size 12 AWG. Do not use an extension cord longer than 50 feet. Do not join two extension cords.

Extension Cords (230V)

Use only an approved extension cord with two main conductors and one earthing conductor.

- WARNING:** If you use an extension cord, use an extension cord with minimum wire size 1.50 mm². Do not use an extension cord longer than 15 meters. Do not join two extension cords.
- WARNING:** Do not cut, remove, or break the ground terminal. Do not try to fit a three-terminal plug into a receptacle or connector body that does not fit the plug. If the receptacle or connector body does not fit the plug, see your Authorized person to make the connection.

Electrical Connection Instructions (120V)

Instructions for connection to the power supply and the electrical ground.

This product must be grounded. If it should malfunction or breakdown, grounding provides a path of least resistance for electric current to reduce the risk of electrical shock. This product is equipped with a cord having an equipment-grounding conductor and grounding plug. The plug must be inserted into an appropriate outlet that is properly installed and grounded in accordance with all local codes and ordinances.

- WARNING:** Improper connection of the equipment-grounding conductor can result in a risk of electric shock. Check with qualified electrician or service person if you are in doubt as to whether the outlet is properly grounded. Do not modify the plug provided with the product – if it will not fit the outlet, have a proper outlet installed by a qualified electrician.

This product is for use on a nominal 120 volt circuit and has a grounding attachment plug that looks like the plug illustrated in figure 12. Make sure that the product is connected to an outlet having the same configuration as the plug. No adapter should be used with this product. Always connect the machine to a dedicated 20 amp electrical line to prevent nuisance breaker tripping and line overload due to other devices.

- WARNING:** To prevent possible electric shock, protect the machine from rain. Keep the machine in a dry building.
- WARNING:** To prevent possible electric shock, always use a 3-wire electrical system connected to the electrical ground. For maximum protection against electrical shock, use a circuit that is protected by a ground fault circuit interrupter. Consult your electrical contractor.

⚠ WARNING: Do not cut, remove or break the ground pin. If the outlet does not fit the plug, consult your electrical contractor.

⚠ WARNING: Have worn, cut or damaged cords replaced by an authorized service person.

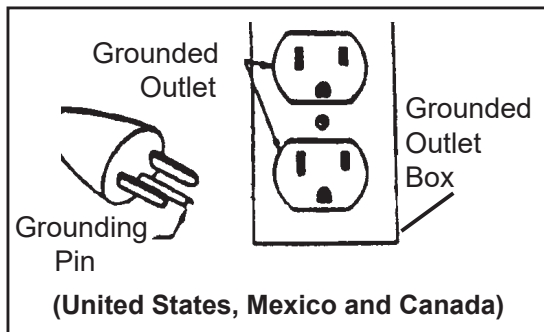
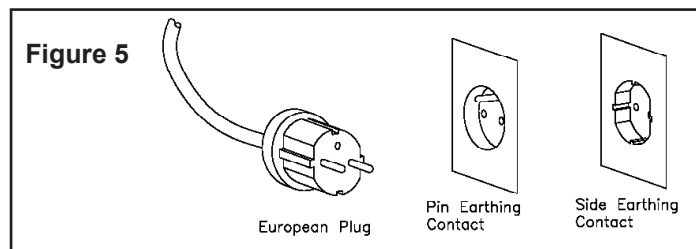


Figure 12

Electrical Connection Instructions (230V)

⚠ CAUTION: This machine will operate only on the AC frequency and electrical voltage shown on the nameplate. Make sure you have the correct frequency and voltage before connecting the power cord to an outlet.

This machine must be connected to the electrical ground to protect the operator from electric shock. The machine has a power cord with two main conductors and one earthing conductor. Connect the plug to the type of receptacle shown in figure 5. The green and yellow conductor cord is the ground wire. Never connect this wire to any terminal other than the ground terminal.



⚠ WARNING: Always use this machine with an AC three-conductor electrical system connected to the electrical ground. Replace any worn, cut, or damaged cords. Replace any damaged plugs, receptacles, or connector bodies. Do not move the machine over an electrical cord. Always lift the cord over the machine.

Dust Collection

This sanding machine is designed to be operated with a remote vacuum dust collection system or with the included dust bag.

Preparing Remote Vacuum Dust Collection Systems

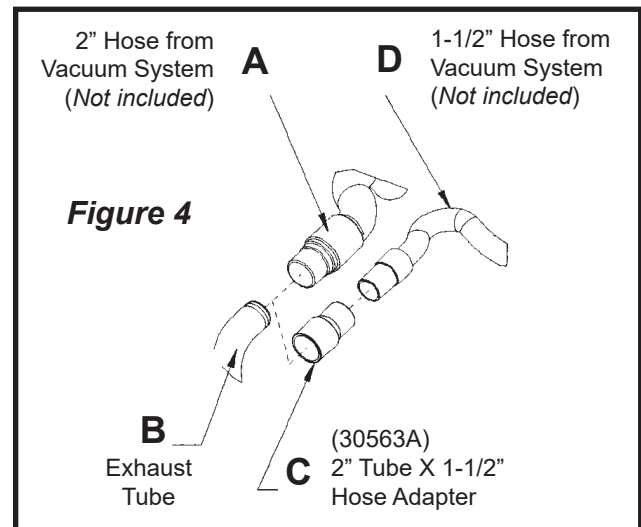
To prepare the machine for remote vacuum dust collection systems that have a 2" hose end, follow this procedure:

1. Install 2" hose end (Figure 4 - A) directly into the exhaust tube (Figure 4 - B).
2. The exhaust tube can be rotated for optimum convenience.

To prepare the machine for remote vacuum dust collection systems that have a 1-1/2" hose end, follow this procedure:

1. Install 2" Tube x 1-1/2" Hose Adapter onto the end of the 2" hose. (Figure 4-C)
2. Install Hose Adapter directly onto the exhaust tube.
3. The exhaust tube can be rotated for optimum convenience.

NOTE: Start the remote vacuum collection system before operation.



Preparing Using the Dust Bag

To prepare the machine for use with the included dust bag (Part No.53741A), follow this procedure:

1. Install the dust bag by pressing the end onto the exhaust tube until the ring locks into the groove (*Figure 5*). This is best done by pressing on the back of the bag opening with the palm of your hand.
2. The exhaust tube can be rotated for optimum convenience.
3. To remove the dust bag from the exhaust tube, pry up the end of the bag opening to partially release the internal rib from the groove, then pull.
4. To empty the dust bag, unzip the disposal flap and force contents out by inverting the bag.

NOTE: For best results, empty frequently. Follow all warnings posted in this manual and on the dust bag.

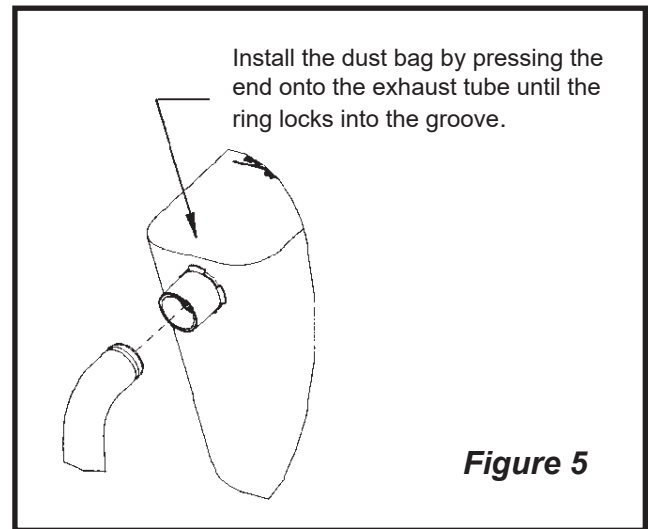


Figure 5

Operating Instructions - Sanding

To operate the machine as a sander follow this procedure:

1. Move machine to work location. Decide the best approach to sanding the desired area. When sanding the area, work so that you are moving away from the power supply. This will help to avoid entanglement with the power cord and reduce the need to move the power cord as frequently.
2. Install the abrasive (see *Sanding Cuts & Sandpaper*). Use the same procedure outlined in "MACHINE SETUP" for installing the pad, to install the abrasive. Peel the film off the back of the abrasive; center the abrasive over the pad and press it against the pad. The adhesive on the abrasive will hold it to the pad.

NOTE: When using screen abrasive, set the screen on the floor then move the machine over the screen. Lower the machine until the pad comes to rest on the screen. Make sure the screen is centered on the pad.

WARNING: Injury can occur if the machine is connected to a power source while installing the pad or abrasive. Disconnect the machine before installing the pad/abrasive.

3. Connect the machine to an appropriately fused and grounded circuit.
4. Release the handle by pressing up on the locking lever. Bring the handle to a comfortable position.

CAUTION: Do not lock the handle. Locking the handle will prevent the machine from resting evenly on the pad and diminish the machine performance and reliability.

5. Push the interlock button (1), and apply pressure to the levers (2). To stop the machine, release the levers (2) (see *Figure 6*).

CAUTION: To prevent damage to the flooring and to reduce swirling, keep the machine in motion while the motor is running.

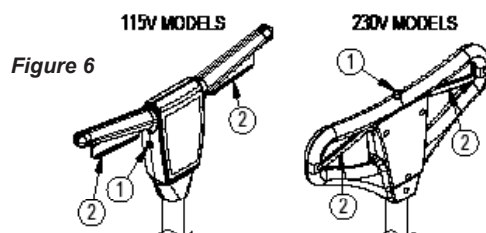


Figure 6

Operating Instructions - Polishing

To operate the machine as a polisher follow this procedure:

WARNING: Injury can occur if the machine is connected to a power source while installing the pad or abrasive. Disconnect the machine before installing the pad/abrasive.

1. Connect the machine to an appropriately fused and grounded circuit.
2. Release the handle by pressing up on the locking lever. Bring the handle to a comfortable position.

CAUTION: Do not lock the handle. Locking the handle will prevent the machine from resting evenly on the pad and diminish the machine performance and reliability.

3. Push the interlock button (1), and apply pressure to the levers (2). To stop the machine, release the levers (2) (see *Figure 6*).

CAUTION: To prevent damage to the flooring and to reduce swirling, keep the machine in motion while the motor is running.

Sanding Cuts & Sandpaper

Initial Cut:

The purpose of the initial cut is to remove old finish and gross imperfections on the floor surface. Use a course (20-36 grit) grain abrasive.

Final Cuts:

The purpose of a finishing cut is to remove the scratches produced during the initial cut. Use a fine (60-80 grit) grain abrasive. If the surface remains rough after a finishing cut, it may be necessary to use an even finer grain of abrasive (80-100grit). Care should be taken in selecting the grit size of the abrasive. A very fine grain will close the pores on a wood floor making admission of a stain difficult. If glazing or burning should occur the abrasive has dulled and must be replaced.

Troubleshooting

Problem	Possible Cause	Action
Motor will not start.	No Power.	Check power supply and connection.
	Interlock not depressed.	Depress interlock before activating control lever.
	Defective switch / bad connection.	Contact an authorized American Sanders Dealer.
Motor fails to start / runs sluggish.	Low voltage from excessive length or undersized extension cord.	Use a 12 Ga. extension cord, not to exceed 50 feet (15m) length.
	Defective start capacitor.	Contact an authorized American Sanders Dealer.
	Defective start switch.	Contact an authorized American Sanders Dealer.
	Defective run capacitor.	Contact an authorized American Sanders Dealer.
	Defective motor.	Contact an authorized American Sanders Dealer.
Fuse / circuit breaker repeatedly trips.	Low voltage.	Eliminate extension cord.
		Locate power source closer to work site.
		Have voltage checked by a qualified electrician.
	Bad connection.	Contact an authorized American Sanders Dealer.
	Defective motor.	Contact an authorized American Sanders Dealer.

LEA ESTE MANUAL

Este manual contiene información importante acerca del uso y la seguridad de la máquina. Si no lee el manual antes de utilizar su máquina American Sanders o de intentar realizar los procedimientos de reparación o mantenimiento de la misma, usted o el resto del personal podrían sufrir lesiones; asimismo, podrían producirse daños a la máquina o a otras propiedades. Antes de utilizar la máquina, es necesario recibir la capacitación adecuada en la operación de la misma. Si el operador de la máquina no sabe leer en español, explíquelo el manual exhaustivamente antes de que intente utilizarla.

Todas las indicaciones incluidas en este manual se ofrecen desde la posición del operador en la parte posterior de la máquina.

Sección B - Contenido

Instrucciones De Seguridad Para El Operador.....	12
Introducción.....	13
Especificaciones De La máquina.....	13
Transporte De La Máquina.....	13
Instalación De La Máquina.....	14
Instrucciones De Seguridad.....	14
Recogida De Polvo.....	15
Instrucciones De Funcionamiento - Lijado.....	16
Instrucciones De Funcionamiento - Pulido.....	16
Cortes De Lija y Papel De Lija.....	16
Resolución De Problemas.....	17

Sección D - Repuestos Manual

Notas	35
Diagrama de cableado de 115V.....	36
Diagrama de cableado 230V.....	37
Ensamblaje principal	38
Diseño del motor: estándar	40
Diseño del motor Desempolvado	42
Construcción de manija de 115V	44
Construcción de manija de 230V	46
Construcción de mango de 230 V CE.....	48
Etiqueta de serie	50
Declaración de conformidad CE	51
Garantía.....	53



ADVERTENCIA:

Los Productos a la venta en este Manual contienen, o pueden contener, productos químicos reconocidos por algunos gobiernos (como el Estado de California, según lo indica en su Proposición 65, Ley de Advertencia Regulatoria) como causantes de cáncer, defectos de nacimiento u otros daños reproductivos. En algunas jurisdicciones (incluido el Estado de California), los compradores de estos Productos que los coloquen en servicio en un emplazamiento laboral o en un espacio de acceso público tienen la obligación regulatoria de realizar determinados avisos, advertencias o divulgaciones respecto de los productos químicos contenidos o posiblemente contenidos en los Productos utilizados en tal lugar. Es la responsabilidad del comprador conocer y cumplir con todas las leyes y reglamentaciones relacionadas con el uso de estos Productos en tales entornos. El Fabricante niega toda responsabilidad de informar a los compradores sobre requisitos específicos que pueden regir el uso de los Productos en tales entornos.

*****Este producto está destinado exclusivamente para uso comercial*****

Instrucciones De Seguridad Para El Operador

En este manual de operación se encuentran tres declaraciones que usted debe leer y respetar para garantizar un funcionamiento seguro de la máquina.

PELIGRO significa: Usted u otras personas pueden estar expuestos a sufrir lesiones personales, inclusive la muerte si las indicaciones de **PELIGRO** que se encuentran en esta máquina o en el manual de instrucciones se ignoran o no se tienen en cuenta. Lea y respete todas las indicaciones de **PELIGRO** que se encuentran en el manual de instrucciones y en la máquina.

ADVERTENCIA significa: Usted u otras personas pueden estar expuestos a sufrir lesiones personales, si las indicaciones de **ADVERTENCIA** que se encuentran en esta máquina o en el manual de instrucciones se ignoran o no se tienen en cuenta. Lea y respete todas las indicaciones de **ADVERTENCIA** que se encuentran en el manual de instrucciones y en la máquina.

PRECAUCIÓN significa: La máquina u otros bienes pueden sufrir daños materiales si las indicaciones de **PRECAUCIÓN** que se encuentran en la máquina o en el manual de instrucciones se ignoran o no se tienen en cuenta. Lea y respete todas las indicaciones de **PRECAUCIÓN** que se encuentran en el manual de instrucciones y en la máquina.

**PELIGRO:**

Si no lee el manual de instrucciones antes de operar, reparar o realizar el mantenimiento de su máquina American Sanders, el resultado puede ser que usted o el resto del personal sufra lesiones. Asimismo, pueden producirse daños a la máquina o a otras propiedades. Antes de utilizar la máquina, es necesario recibir la capacitación adecuada en la operación de la misma. **Si usted o el operador no saben leer en inglés, haga que otra persona les explique el manual exhaustivamente antes de intentar utilizar la máquina.**

**PELIGRO:**

A. El lijado/acabado de pisos de madera puede crear un entorno explosivo. No utilice la máquina cerca de solventes, diluyentes, alcohol, combustibles, acabados de pisos, polvo de madera u otros materiales inflamables. Los encendedores, las lámparas indicadoras, las chispas eléctricas y cualquier otra fuente de ignición deben extinguirse o evitarse. Mantenga el área de trabajo bien ventilada.

B. El polvo que se genera al lijar pisos de madera puede encenderse o explotar espontáneamente. Elimine rápidamente el polvo de lijado en un recipiente de metal que no contenga ningún combustible. No arroje el polvo al fuego.

**PELIGRO:**

A. Puede producirse una electrocución si se repara o se realiza el mantenimiento de la máquina mientras se encuentra conectada a una fuente de alimentación. Desconecte la fuente de alimentación antes de realizar tareas de mantenimiento y reparación.

B. Si la máquina se utiliza con un cable de alimentación dañado podría producirse una electrocución o un incendio. Mantenga el cable de alimentación separado de la almohadilla. Pase siempre el cable por encima de la máquina. No utilice el cable de alimentación para mover la máquina.

C. Riesgo de descargas: No utilice la máquina si ha estado expuesta a la lluvia o ha sido rociada con agua.

**PELIGRO:**

Mantenga las manos, los pies y la vestimenta suelta alejados de todas las partes móviles de la máquina para evitar lesiones. Desconecte el cable de alimentación antes de reemplazar la almohadilla, cambiar el abrasivo y realizar mantenimiento o reparaciones. No utilice la máquina a no ser que todas sus protecciones estén en su lugar. Nunca deje la máquina sin vigilancia mientras está conectada a una fuente de alimentación.

**ADVERTENCIA:**

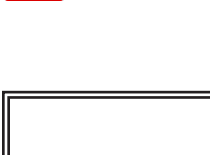
Si no se utilizan los dispositivos de protección personal correctos mientras se realiza el lijado, el operador o cualquier persona en el área de trabajo pueden sufrir lesiones. Utilice siempre protección respiratoria, ocular y auditiva mientras realice una operación de lijado.

**ADVERTENCIA:**

La pulidora no debe utilizarse sobre madera tratada a presión. Algunas maderas tratadas a presión contienen arsénico y si se pule madera tratada a presión produce un polvo nocivo. La inhalación de polvo nocivo de madera tratada a presión puede causar lesiones serias o la muerte. Pulir plataformas o superficies irregulares de madera tratada a presión puede dañar la Pulidora ques no está cubierto por la garantía ni por is Renuncia de Daños.

**ADVERTENCIA:**

Cualquier alteración o modificación realizada a esta máquina puede producir daños a la misma o lesiones al operador o a otras personas que se encuentren en el lugar. Las alteraciones o modificaciones no autorizadas por el fabricante anulan todas las garantías y responsabilidades.

**ADVERTENCIA:**

Riesgo de explosión. Lijado piso puede resultar en una mezcla explosiva de polvo fino y aire. Utilice piso lijado máquina sólo en un área bien ventilada y libre de toda llama o partido.


UNA ADVERTENCIA ESPECIAL SOBRE LOS INCENDIOS DE LAS BOLSAS


El polvo que se genera al lijar pisos de madera en bruto o previamente acabados PUEDE ENCENDERSE O EXPLOTAR DE FORMA ESPONTÁNEA! Las BOLSAS CONTENEDORAS DE POLVO de la lijadora DEBEN VACIARSE CON FRECUENCIA y antes de cualquier interrupción de trabajo. **NUNCA ALMACENE POLVO DE LIJADO EN ESTRUCTURAS U OTROS MATERIALES COMBUSTIBLES NI ALREDEDOR DE ELLOS.** Elimine de inmediato el polvo de lijado en exteriores de acuerdo con la normativa local. **No lo arroje al fuego.**

Introducción

La OBS-18 y la OBS-18DC pueden utilizarse en una gran variedad de superficies. Por ello, se trata de una herramienta ideal para mantenimiento de pisos de madera y trabajos de restauración. También es adecuada para la limpieza de superficies duras como baldosas o terrazo.

Especificaciones De La Máquina

Model	OBS-18		OBS-18DC	
Número de código	07076B	07081B	07083B	07083A
Voltaje / Frecuencia	115V / 60Hz	115V / 60Hz	230V / 50Hz	230V / 50Hz
Intensidad De Corriente (A)	10	10	5	5
Motor	1 hp 750 Watts	1 hp 750 Watts	1 hp 750 Watts	1 hp 750 Watts
Tamaño De La Almohadilla	12" X 18" (305mm X 457mm)	12" X 18" (305mm X 457mm)	12" X 18" (305mm X 457mm)	12" X 18" (305mm X 457mm)
Giros Por Minuto	3600	3600	3000	3000
Diámetro De Giro	1/4" (6.4mm)	1/4" (6.4mm)	1/4" (6.4mm)	1/4" (6.4mm)
Peso Del Envío	125 lbs (57 kg)	125 lbs (57 kg)	125 lbs (57 kg)	125 lbs (57 kg)
Ruido (dBA)	74	74	74	74
Vibración (m/s/s)	11.2	11.2	11.2	11.2

Transporte De La Máquina

To transport the machine, follow this procedure:

1. Desenchufe la máquina del tomacorriente de pared y enrolle el cable.
2. Eleve y bloquee la manija en posición vertical. Para trabar el mango, tire hacia arriba de la palanca de liberación de liberación del mango (Consulte la Figura 1).
3. Tome la máquina por los puntos de izado y colóquela en el área de carga (Consulte la Figura 2).

ADVERTENCIA: La máquina es pesada (125 lb / 57 kg). Para evitar daños a la misma o lesiones personales, sosténgala con firmeza y utilice la técnica de izado adecuada. De ser necesario, solicite ayuda.

4. Asegure la máquina para evitar movimientos en el área de carga.

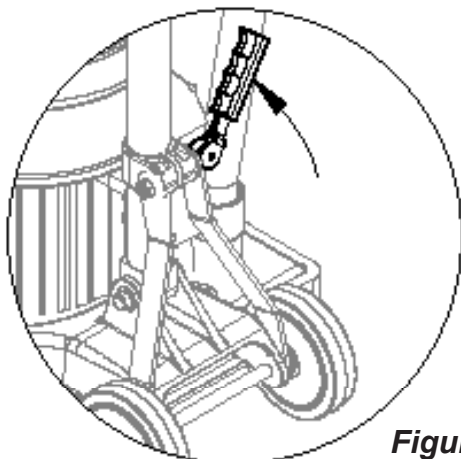
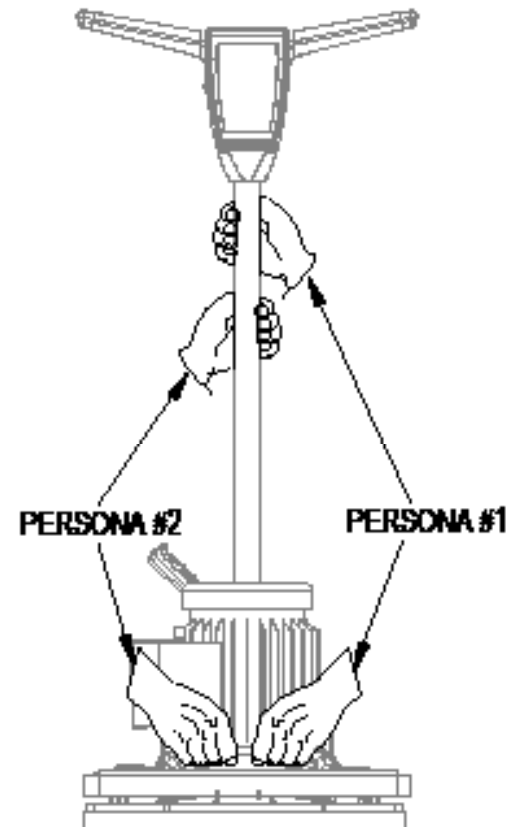


Figura 1

Figura 2





Instalación De La Máquina

Si desea preparar la máquina para su uso, siga este procedimiento:

1. Familiarícese con la máquina. Lea todas las indicaciones de peligro, advertencia y precaución, así como el manual de instrucciones y piezas, antes de utilizar la máquina. Si usted o el operador de la máquina no pueden leer este manual, haga que otra persona se lo explique exhaustivamente antes de intentar utilizarla.
2. Instale o reemplace la almohadilla. Si la almohadilla se ha desgastado a un espesor de 3/8" (9,5 mm) o menos, debe ser reemplazada. Para instalar o reemplazar la almohadilla, siga estas instrucciones:
 - A. Bloquee la manija en posición vertical.
 - B. Inclíne la máquina hacia atrás hasta que esté completamente apoyada en la manija.
 - C. Situándose sobre la máquina, retire la almohadilla existente y después centre la nueva almohadilla sobre el frente de agarre.
 - D. Presione la almohadilla contra el frente de agarre hasta que los ganchos se fijen en la almohadilla (Consulte la Figura 3).
 - E. Vuelva a situar la máquina en posición vertical.




Figura 3

-  **ADVERTENCIA:** Mientras sustituye la almohadilla o cambia el abrasivo, nunca se sitúe usted mismo (ni deje que otras personas lo hagan) en una posición en la que pueda lesionarse si la máquina se inclina o cae.
-  **PRECAUCIÓN:** El frente de agarre se daña si la máquina se opera sin una almohadilla o con una almohadilla cuyo grosor sea de 3/8" (9,5 mm) o menos.



Cables de extensión (120 V)

Utilice únicamente un cable de extensión autorizado con tres conductores, un enchufe con tres terminales y un cuerpo del conector con tres orificios.

-  **ADVERTENCIA:** Si va a utilizar un cable de extensión, use uno de un calibre mínimo de 12 AWG. No use un cable de extensión de más de 50 pies. No una dos cables de extensión.

Cables de extensión (230 V)


Utilice únicamente un cable de extensión aprobado con dos conductores principales y uno de puesta a tierra.

-  **ADVERTENCIA:** Si va a utilizar un cable de extensión, use uno de un calibre mínimo de 1,50 mm². No use un cable de extensión de más de 15 metros. No una dos cables de extensión.
-  **ADVERTENCIA:** No corte, quite o rompa el terminal de conexión a tierra. No intente conectar un enchufe de tres terminales en un receptáculo o cuerpo conector en el que no encaje. Si el enchufe no encaja en el receptáculo o cuerpo conector, consulte con una persona autorizada para realizar la conexión.

Instrucciones para la la conexión eléctrica (120 V)

Instrucciones para la conexión a la fuente de alimentación y a tierra.

Este producto se debe conectar a tierra. En caso de mal funcionamiento o averías, la conexión a tierra proporciona una vía de menor resistencia para la corriente eléctrica a fin de reducir el riesgo de choques eléctricos. Este producto está equipado con un cable que tiene un conductor que pone el equipo a tierra y un enchufe de conexión a tierra. El enchufe se debe insertar en un tomacorriente adecuado que esté instalado debidamente y puesto a tierra de conformidad con todos los códigos y las normas locales.

-  **ADVERTENCIA:** La conexión incorrecta del conductor de puesta a tierra del equipo puede resultar en riesgos de choque eléctrico. Consulte con un electricista o un técnico de servicio calificados si tiene alguna duda con respecto a si el tomacorriente está puesto a tierra adecuadamente. No modifique el enchufe suministrado con la máquina. Si no encaja en el tomacorriente, contacte a un electricista calificado para que instale un tomacorriente adecuado.

Este producto está diseñado para utilizarse en un circuito de potencia nominal de 120 voltios, y tiene un enchufe de conexión a tierra semejante al enchufe ilustrado en la Fig. 12. Asegúrese de que el producto esté conectado a un tomacorriente que tenga la misma configuración que el enchufe. No se deben utilizar adaptadores con este producto. Siempre conecte la máquina a una línea eléctrica dedicada de 20 amperios para evitar el accionamiento del disyuntor y la sobrecarga de la línea debido a otros dispositivos.

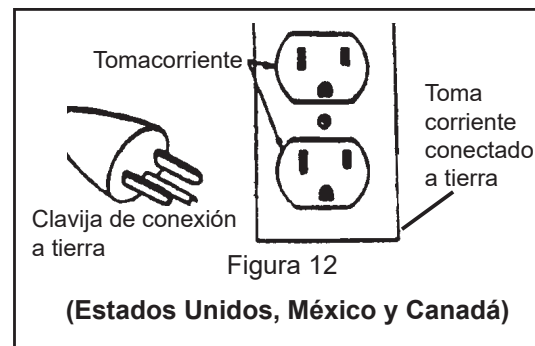
Instrucciones para la la conexión eléctrica (120 V)

⚠ ADVERTENCIA : Para evitar el riesgo de choques eléctricos, proteja la máquina de la lluvia. Guárdela en un lugar seco.

⚠ ADVERTENCIA : Para evitar el riesgo de choques eléctricos, siempre use un sistema eléctrico de tres conductores con conexión a tierra. Para una protección óptima contra choques eléctricos, utilice un circuito protegido por un interruptor de falla a tierra. Consulte con su contratista electricista.

⚠ ADVERTENCIA : No corte, quite o rompa la clavija de conexión a tierra. Si el enchufe no encaja en el tomacorriente, consulte con su contratista electricista.

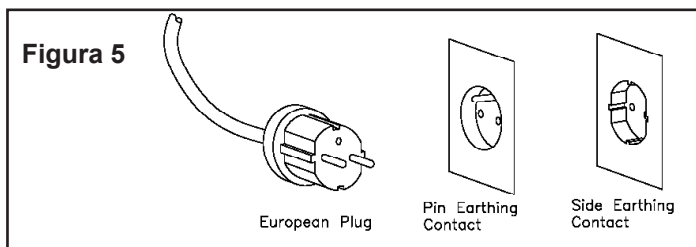
⚠ ADVERTENCIA : Los cables desgastados, cortados o dañados los debe reemplazar un técnico de servicio autorizado.



Instrucciones para la la conexión eléctrica (230V)

⚠ PRECAUCIÓN: Esta máquina funciona únicamente con la frecuencia de CA y el voltaje que se indican en la placa de identificación. Asegúrese de que la frecuencia y el voltaje sean adecuados antes de conectar el cable de alimentación tomacorriente.

La máquina se debe conectar tierra para proteger al operador de choques eléctricos. La máquina tiene un cable de alimentación con dos conductores principales y uno de puesta a tierra. Conecte el enchufe en el tipo de receptáculo que se muestra en la figura 5. El cable conductor verde y amarillo es el cable de conexión a tierra. Nunca conecte este cable a otro terminal que no sea el de conexión a tierra.



⚠ ADVERTENCIA : Siempre use esta máquina con un sistema eléctrico de CA de tres conductores conectado a tierra. Reemplace los cables que estén desgastados, cortados o dañados. Reemplace los enchufes, los receptáculos o los cuerpos conectores que estén dañados. No pase la máquina por encima del cable eléctrico. Siempre levante el cable por encima de la máquina.

Recogida De Polvo

Esta lijadora está diseñada para utilizarse con un sistema colector de polvo remoto mediante vacío o con la bolsa de polvo incluida

Preparación de los sistemas colectores de polvo remotos mediante vacío

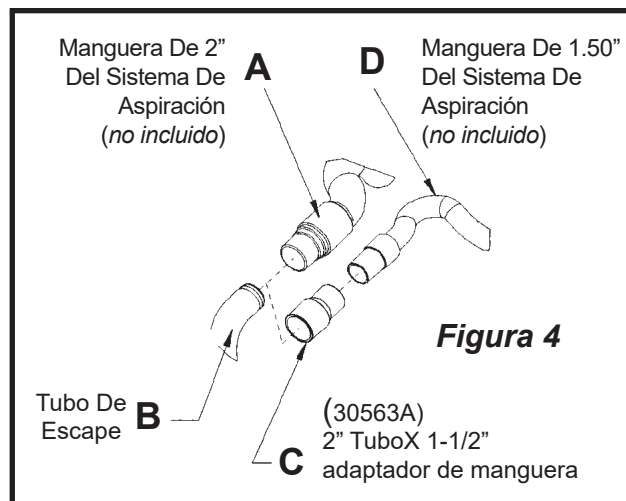
Si desea preparar la máquina para sistemas colectores de polvo remotos mediante vacío que tengan un extremo de manguera de 2", siga este procedimiento:

1. Instale el extremo de manguera de 2" (Figura 4-A) directamente sobre el tubo de escape (Figura 4-B).
2. El tubo de escape puede girarse para mayor comodidad.

Si desea preparar la máquina para sistemas colectores de polvo remotos mediante vacío que tengan un extremo de manguera de 1-1/2", siga este procedimiento:

1. Instale el adaptador del extremo de manguera de 2" x 1½" (No de pieza 30563A) (Figura 4-C) sobre el tubo de escape (Figura 4-B).
2. Inserte el extremo de manguera de 1½" (Figura 4-D) en el adaptador (Figura 4-C).

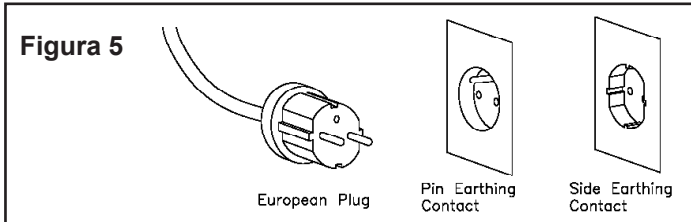
NOTA: Ponga en marcha el sistema colector remoto mediante vacío antes de encender la máquina.



Instrucciones para la la conexión eléctrica (230V)

PRECAUCIÓN: Esta máquina funciona únicamente con la frecuencia de CA y el voltaje que se indican en la placa de identificación. Asegúrese de que la frecuencia y el voltaje sean adecuados antes de conectar el cable de alimentaci3n tomacorriente.

La máquina se debe conectar tierra para proteger al operador de choques eléctricos. La máquina tiene un cable de alimentaci3n con dos conductores principales y uno de puesta a tierra. Conecte el enchufe en el tipo de receptáculo que se muestra en la figura 5. El cable conductor verde y amarillo es el cable de conexi3n a tierra. Nunca conecte este cable a otro terminal que no sea el de conexi3n a tierra.



ADVERTENCIA: Siempre use esta máquina con un sistema eléctrico de CA de tres conductores conectado a tierra. Reemplace los cables que est3n desgastados, cortados o dañados. Reemplace los enchufes, los receptáculos o los cuerpos conectores que est3n dañados. No pase la máquina por encima del cable eléctrico. Siempre levante el cable por encima de la máquina.

Instrucciones De Funcionamiento - Lijado

Para operar la máquina como una lijadora, siga este procedimiento:

1. Desplace la máquina al lugar de trabajo. Seleccione el mejor método para lijar el área deseada. Mientras lija dicha área, trabaje de manera tal que usted se aleje de la fuente de alimentaci3n. Esto ayudará a evitar que el cable de alimentaci3n se enrede y reduce la necesidad de mover dicho cable con tanta frecuencia.
2. Instale el abrasivo. Para instalar el abrasivo, utilice el mismo procedimiento descrito en INSTALACI3N DE LA MÁQUINA para la instalaci3n de la almohadilla. Retire la película de la parte posterior del abrasivo, centre el mismo sobre la almohadilla y presiónelo contra ésta. El adhesivo del abrasivo lo sostendrá en la almohadilla.

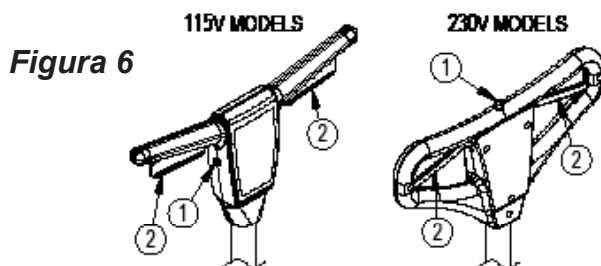
NOTA: Si utiliza abrasivo de tela metálica, sitúe la tela metálica sobre el suelo y a continuaci3n desplace la máquina sobre la misma. Baje la máquina hasta que la almohadilla se apoye sobre la tela metálica. Asegúrese de que la tela metálica est3 centrada en la almohadilla.

ADVERTENCIA: Puede producirse una lesi3n si se instalan la almohadilla o el abrasivo mientras la máquina se encuentra conectada a una fuente de alimentaci3n. Desconecte la máquina antes de instalar la almohadilla o el abrasivo.

3. Conecte la máquina a un circuito adecuadamente provisto de fusibles y conectado a tierra.
4. Suelte la manija presionando la palanca de bloqueo. Sitúe la manija en una posici3n cómoda.

PRECAUCI3N: no bloquee la manija. Si se bloquea la manija, la máquina no podrá reposar de forma uniforme en la almohadilla y disminuirán el rendimiento de la máquina y su fiabilidad.

5. Pulse el bot3n de interbloqueo (1) y aplique presi3n a las palancas (2). Para detener la máquina, suelte las palancas (2). Consulte la Figura 6.



PRECAUCI3N: para evitar daños al piso y reducir los remolinos, mantenga la máquina en movimiento mientras el motor est3 funcionando.

Instrucciones De Funcionamiento - Pulido

Para operar la máquina como una pulidora siga este procedimiento:

ADVERTENCIA: puede producirse una lesi3n si se instalan la almohadilla o el abrasivo mientras la máquina se encuentra conectada a una fuente de alimentaci3n. Desconecte la máquina antes de instalar la almohadilla o el abrasivo.

1. Conecte la máquina a un circuito adecuadamente provisto de fusibles y conectado a tierra.
2. Suelte la manija presionando la palanca de bloqueo. Sitúe la manija en una posici3n cómoda.

PRECAUCI3N: No bloquee la manija. Si se bloquea la manija, la máquina no podrá reposar de forma uniforme en la almohadilla y disminuirán el rendimiento de la máquina y su fiabilidad.

3. Pulse el bot3n de interbloqueo (1) y aplique presi3n a las palancas (2). Para detener la máquina, suelte las palancas (2). Consulte la Figura 6.

PRECAUCI3N: Para evitar dañar el suelo y reducir los remolinos, mantenga la máquina en movimiento mientras el motor est3 en funcionamiento.

Cortes De Lija Y Papel De Lija

Corte Inicial:

El propósito del corte inicial es sacar el acabado viejo y las imperfecciones mayores de la superficie del piso. Se debe usar un abrasivo grueso (20-36 granos).

Cortes Finales:

El propósito de un corte de acabado es eliminar los rayones producidos durante el corte inicial. Utilice un abrasivo de grano fino (60-80 granos). Si la superficie permanece áspera después de un corte de acabado, puede ser necesario utilizar un abrasivo de grano aún más fino (80 - 100 granos). Se deberá tener cuidado al seleccionar el tamaño del grano del abrasivo. Un grano muy fino cerrará los poros sobre el piso de madera dando lugar a problema de manchas. Si un corte de acabado apareciera inmediatamente glaseado o quemado, aumente el ritmo. Si esto ocurriera durante un corte final, significa que el abrasivo se ha desafilado y deberá cambiarse.

Resolución De Problemas

Problema	Causa	Acción
El motor no arranca.	No hay potencia.	Inspeccione la fuente de alimentación y la conexión.
	El interbloqueo no está presionado.	Presione el interbloqueo antes de activar la palanca de control.
	Interruptor defectuoso / mala conexión.	Póngase en contacto con un distribuidor autorizado de American Sanders.
El motor no arranca / funciona.	Tensión baja debido a cable demasiado largo.	Use un alargador de calibre 12, que demasiado largo no sea lento. o demasiado corto. supere los 50 feet (15m) de longitud.
	El capacitor de arranque es defectuoso.	Póngase en contacto con un distribuidor autorizado de American Sanders.
	El interruptor de arranque es defectuoso.	Póngase en contacto con un distribuidor autorizado de American Sanders.
	Capacitor de funcionamiento defectuoso.	Póngase en contacto con un distribuidor autorizado de American Sanders.
	Baja tensión del motor defectuosa.	Póngase en contacto con un distribuidor autorizado de American Sanders.
El fusible / disyuntor se disparan veces.	Baja tensión.	Retire el alargador.
		Localice la fuente eléctrica más cercana al lugar de trabajo.
		Haga que la tensión sea inspeccionada por un electricista calificado.
	Conexión defectuosa.	Póngase en contacto con un distribuidor autorizado de American Sanders.
	El motor es defectuoso.	Póngase en contacto con un distribuidor autorizado de American Sanders.

LISEZ CE MANUEL

Ce Manuel contient des informations importantes concernant l'utilisation et le fonctionnement de cette machine dans des conditions de sécurité optimales. La non-lecture de ce manuel avant d'utiliser ou d'entretenir votre machine American Sanders risque de provoquer un accident ou d'endommager la machine ou son environnement. Vous devez avoir été formé à l'utilisation de cette machine avant de l'utiliser. Si l'opérateur n'est pas en mesure de lire ce Manuel, il devra se le faire expliquer entièrement avant de tenter d'utiliser cette machine.

Toutes les directions données dans ce Manuel le sont par rapport à la position de l'opérateur, à l'arrière de la machine.

Section C - Contenu De Ce Manuel

Consignes De Sécurité.....	19
Introduction.....	20
Spécifications De L'appareil.....	20
Transport De L'appareil.....	20
Préparation De L'appareil.....	21
Consignes De Sécurité.....	21
Collecte Des Poussières.....	22
Utilisation De L'appareil – Ponçage.....	23
Utilisation De L'appareil – Polissage.....	23
Ponçage Et Papier Abrasif.....	23
Dépannage.....	24

Section D - Manuel De Pièces

Notes	35
Schéma de câblage 115V	36
Schéma de câblage 230V	37
Assemblage principal	38
Conception du moteur -Standard	40
Conception du moteur Dépoussiérage.....	42
Construction de poignée 115V	44
Construction de poignée 230V.....	46
Construction de poignée 230V CE.....	48
Etiquette de série	50
Déclaration de conformité CE	51
Garantie.....	54

**AVERTISSEMENT:**

Les produits vendus avec ce manuel contiennent ou peuvent contenir des produits chimiques qui sont connus pour certains gouvernements (tels que l'État de California, comme indiqué dans son droit réglementaire Proposition 65 Warning) pour causer le cancer, des malformations congénitales ou d'autres problèmes de reproduction. Dans certains endroits (y compris l'Etat de California) acheteurs de ces produits qui les placent en service à un chantier de travail ou un espace accessible au public sont requis par la réglementation pour faire certaines affiches, des avertissements ou des informations concernant les produits chimiques qui sont ou peuvent être contenus dans les produits à ou vers ces sites de travail. Il est de la responsabilité de l'acheteur de connaître le contenu de, et à se conformer à ces lois et règlements relatifs à l'utilisation de ces produits dans de tels environnements. Le fabricant décline toute responsabilité d'informer les acheteurs de toutes les exigences spécifiques qui peuvent être applicables à l'utilisation des produits dans de tels environnements.

*****Ce produit est destiné pour une utilisation commerciale*****

Consignes De Sécurité

Dans ce manuel d'utilisation, vous trouverez trois déclarations que vous devez lire et d'observer pour assurer la sécurité de cette machine.

DANGER signifie: Si une consigne **DANGER** figurant dans ce manuel d'utilisation ou sur l'appareil n'est pas respectée ou suivie, des blessures graves, voire mortelles, peuvent vous arriver ainsi qu'à d'autres personnes. Lisez et observez toutes les consignes **DANGER** apparaissant sur l'appareil ou dans votre manuel d'utilisation.

AVERTISSEMENT signifie: Si une consigne **AVERTISSEMENT** figurant dans ce manuel d'utilisation ou sur l'appareil n'est pas respectée ou suivie, des blessures peuvent vous arriver ainsi qu'à d'autres personnes. Lisez et observez toutes les consignes **AVERTISSEMENT** apparaissant sur l'appareil ou dans votre manuel d'utilisation.

ATTENTION signifie: Si une consigne **ATTENTION** figurant dans ce manuel d'utilisation ou sur l'appareil n'est pas respectée ou suivie, vous risquez d'endommager l'appareil et de causer divers dommages matériels. Lisez et observez toutes les consignes **ATTENTION** apparaissant sur l'appareil ou dans votre manuel d'utilisation.

DANGER: Si vous ne lisez pas le manuel d'utilisation avant d'utiliser ou réparer votre appareil American Sanders, vous risquez de vous blesser ainsi que d'autres personnes. Vous risquez également d'endommager l'appareil et de causer divers dommages matériels. Avant d'utiliser cet appareil, vous devez avoir reçu une formation sur son utilisation. Si un utilisateur est incapable de lire ce manuel, il doit en demander une explication complète avant d'utiliser l'appareil.



DANGER: A. Le ponçage des parquets de bois peut créer un environnement explosif ou combustible. Ne pas utiliser cet appareil à proximité de solvants, de diluants, d'alcool, de carburant, de poussière de bois ou d'autres matériaux inflammables. Les vapeurs et la poussière de bois produites par le ponçage des parquets peuvent créer un environnement explosif. Les briquets, les témoins lumineux, les étincelles électriques et toutes les autres sources d'allumage doivent être éteints. Garder la zone de travail bien aérée.



B. La poussière produite par le ponçage d'un parquet de bois peut exploser ou s'enflammer soudainement. Jeter sans délai toute la poussière de ponçage dans un récipient métallique ne contenant aucun combustible. Ne pas jeter au feu.

DANGER: A. Une électrocution peut survenir si l'appareil est réparé alors qu'il est raccordé à une source d'alimentation électrique. Déconnecter l'alimentation électrique avant toute réparation.



B. Une électrocution ou incendie peuvent survenir si l'appareil est utilisé avec un cordon d'alimentation électrique endommagé. Le cordon d'alimentation doit demeurer à bonne distance du patin de ponçage. Le cordon doit toujours être soulevé au-dessus de l'appareil. Ne jamais tirer l'appareil par le cordon d'alimentation.

C. Risque d'électrocution. Ne pas utiliser l'appareil s'il a été exposé à la pluie ou arrosé avec de l'eau.

DANGER: Pour éviter les blessures, il faut toujours garder les mains, les pieds et les vêtements amples à bonne distance des pièces mobiles de l'appareil. Le cordon d'alimentation doit être débranché avant de remplacer le patin de ponçage ou le papier abrasif, ainsi qu'avant toute réparation. Ne pas utiliser l'appareil si toutes les protections ne sont pas en place. Ne jamais laisser l'appareil sans surveillance lorsqu'il est branché à une alimentation électrique.



AVERTISSEMENT: L'opérateur, ou toute personne à proximité, doit porter une tenue de protection en cours de ponçage pour prévenir les blessures. Utilisez toujours une protection oculaire et auditive ainsi qu'un appareil respiratoire lors de tout ponçage/sablage.



AVERTISSEMENT: La ponceuse ne doit pas être utilisée sur du bois traité sous pression. Certains bois traités sous pression contiennent de l'arsenic, le ponçage du bois traité sous pression produit des poussières dangereuses. L'inhalation de poussières dangereuse produite par du bois traité sous pression risque d'entraîner la mort ou de graves blessures. La ponçage de bois traité sous pression ou de surfaces irrégulières risque d'endommager la ponceuse qui n'est pas converti ni par la garantie ni par les Exonérations de Dommages.



AVERTISSEMENT: Toute modification apportée à cet appareil peut l'endommager et blesser l'opérateur ou des passants. Les modifications non autorisées par le fabricant annulent toutes les garanties et responsabilités.



AVERTISSEMENT: Risque d'explosion. Ponçage du sol peut entraîner un mélange explosif de poussières fines et de l'air. Utilisez la machine de ponçage uniquement dans un endroit bien aéré et libre de toute flamme ou d'un match.



UN AVERTISSEMENT SPÉCIAL SUR LES INCENDIES DE SACS



La poussière générée par le ponçage des planchers en bois bruts ou déjà finis PEUT S'ENFLAMMER OU EXPLOSER SPONTANÉMENT! Le SAC À POUSSIÈRE de la ponceuse DOIT ÊTRE VIDÉ FRÉQUEMMENT et avant tout arrêt de travail. NE JAMAIS ENTREPOSER LA POUSSIÈRE DE PONÇAGE DANS OU AUTOUR DE STRUCTURES OU D'AUTRES MATÉRIAUX COMBUSTIBLES. Éliminer rapidement toute poussière de ponçage à l'extérieur conformément à la réglementation locale. Ne pas jeter au feu.

Introduction

Les appareils OBS-18 et OBS-18DC peuvent être utilisés sur une grande variété de surfaces. C'est un outil idéal pour l'entretien et la remise à neuf des parquets. Il permet également de nettoyer diverses surfaces dures, comme le carrelage en céramique et le granito.

Spécifications De L'appareil

Modèle	OBS-18		OBS-18DC	
Numéro de code	07076B	07081B	07083B	07083A
Tension/fréquence	115V / 60Hz	115V / 60Hz	230V / 50Hz	230V / 50Hz
Intensité (A)	10	10	5	5
Moteur	1 hp 750 Watts	1 hp 750 Watts	1 hp 750 Watts	1 hp 750 Watts
Dimensions du patin	12" X 18" (305mm X 457mm)	12" X 18" (305mm X 457mm)	12" X 18" (305mm X 457mm)	12" X 18" (305mm X 457mm)
Orbites par minute	3600	3600	3000	3000
Diamètre des orbites	1/4" (6.4mm)	1/4" (6.4mm)	1/4" (6.4mm)	1/4" (6.4mm)
Poids à l'expédition	125 lbs (57 kg)	125 lbs (57 kg)	125 lbs (57 kg)	125 lbs (57 kg)
Bruit (dBA)	74	74	74	74
Vibrations (m/s/s)	11.2	11.2	11.2	11.2

Transport De L'appareil

Pour transporter l'appareil, exécutez les opérations suivantes:

1. Débranchez la fiche de branchement électrique de l'appareil, puis enroulez le cordon d'alimentation.
2. Relevez le manche de l'appareil et bloquez-le en position droite. Pour bloquer le manche, tirez le levier de blocage par compression du manche vers le haut (voir la figure 1).
3. Saisissez l'appareil aux points de levage et placez-le dans le compartiment de transport (voir la figure 2).



AVERTISSEMENT: L'appareil est lourd (125 livres/57 kg). Pour éviter de vous blesser et d'endommager l'appareil, utilisez une prise solide et une bonne technique de levage. Demandez de l'aide si nécessaire.

4. Attachez l'appareil pour éviter qu'il ne bouge sur le véhicule de transport.

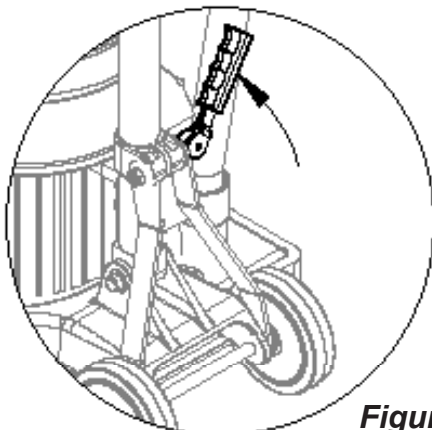
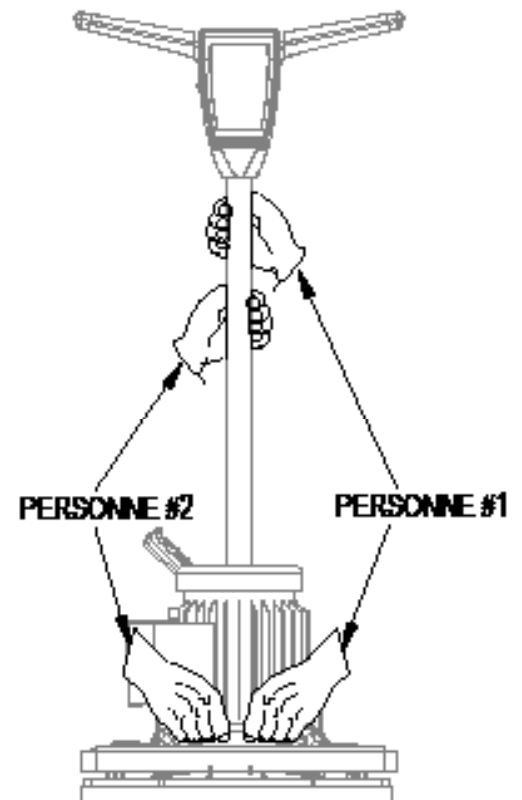


Figure 1

Figure 2



Préparation De L'appareil

Pour préparer l'appareil avant une utilisation, exécutez les opérations suivantes:

1. Familiarisez-vous avec l'appareil. Avant toute utilisation de l'appareil, lisez les avertissements, les consignes de sécurité et le manuel d'utilisation. Si un utilisateur est incapable de lire ce manuel, il doit en demander une explication complète avant d'utiliser l'appareil.
2. Installez ou remplacez le patin de ponçage. Il doit être remplacé s'il est usé jusqu'à une épaisseur égale ou inférieure à 3/8 po. Pour installer ou remplacer le patin de ponçage, exécutez les opérations suivantes:
 - A. Verrouillez le manche en position redressée.
 - B. Inclinez l'appareil vers l'arrière jusqu'à ce qu'il repose complètement sur les poignées.
 - C. En vous tenant au-dessus de l'appareil, enlevez le vieux patin de ponçage et centrez un nouveau patin sur le plateau de ponçage auto-agrippant.
 - D. Appuyez le patin contre le plateau de ponçage auto-agrippant jusqu'à ce que les crochets de le plateau de ponçage auto-agrippant aient accrochés le patin (voir la Figure 3).
 - E. Redressez l'appareil.



Figure 3

ATTENTION: Le plateau de ponçage auto-agrippant sera endommagée si l'appareil est utilisé sans patin de ponçage ou avec un patin d'une épaisseur égale ou inférieure à 3/8 po.

AVERTISSEMENT: Lorsque vous remplacez le patin de ponçage ou le papier abrasif, ne vous placez pas et ne laissez pas d'autres personnes se placer dans une position pouvant provoquer une blessure si l'appareil venait à basculer ou se.

Rallonges (120 V)

Utilisez uniquement une rallonge approuvée avec trois fils, une fiche avec trois bornes et un corps de connecteur avec trois trous.

AVERTISSEMENT : Si vous utilisez une rallonge électrique, utilisez une rallonge électrique de calibre 12 AWG minimum. N'utilisez pas une rallonge plus longue que 50 pieds. Ne reliez pas deux rallonges.

Rallonges (230 V)

Utilisez uniquement une rallonge avec deux conducteurs principaux et un conducteur de terre.

AVERTISSEMENT : Si vous utilisez une rallonge électrique, utilisez une rallonge électrique de calibre 1,50 mm². N'utilisez pas une rallonge plus longue que 15 mètres. Ne reliez pas deux rallonges.

AVERTISSEMENT : Ne coupez, retirez ou cassez pas la broche de mise à la terre. Ne tentez pas d'insérer une fiche à trois bornes dans un réceptacle ou connecteur non adapté. Si la fiche ne s'insère pas dans le réceptacle ou le corps du connecteur, contactez votre interlocuteur autorisé pour réaliser le raccordement.

Consignes pour le branchement électrique (120V)

Consignes pour le raccordement à l'alimentation électrique et à la mise à la terre.

Ce produit doit être mis à la terre. En cas de dysfonctionnement ou de panne, la terre fournit au courant électrique un chemin de moindre résistance et réduit le risque de commotion électrique. Ce produit est équipé d'un cordon comportant un conducteur de masse et une fiche avec mise à la terre. La fiche doit être branchée dans une prise appropriée qui est correctement installée et mise à la terre conformément à tous les codes et règlements locaux.

AVERTISSEMENT : Un branchement incorrect du conducteur de mise à la terre de l'équipement peut entraîner un risque de commotion électrique. Consultez un électricien ou un technicien qualifié si vous avez des doutes concernant la mise à la terre de la prise. Ne modifiez pas la fiche fournie avec le produit – si elle n'entre pas dans la prise, faites installer une prise adéquate par un électricien qualifié.

Ce produit doit être utilisé sur un circuit de 120 volts de tension nominale et comporte une fiche avec mise à la terre qui ressemble à la fiche représentée sur la Fig. 12. Assurez-vous que le produit est branché à une prise ayant la même configuration que la fiche. Il ne faut pas utiliser d'adaptateur avec ce produit. Connectez toujours la machine à une ligne électrique dédiée de 20 ampères pour éviter le déclenchement intempestif du disjoncteur et la surcharge de la ligne due à d'autres appareils.

AVERTISSEMENT : Pour prévenir le risque d'électrocution, protégez la machine de la pluie. Gardez la machine dans un bâtiment sec.

AVERTISSEMENT : Pour prévenir le risque d'électrocution, utilisez toujours un système électrique à 3 fils relié à la terre électrique. Pour une protection maximale contre les chocs électriques, utilisez un circuit protégé par un disjoncteur de défaut à la terre. Consultez votre sous-traitant électrique.

AVERTISSEMENT : Ne coupez, retirez ou cassez pas la broche de mise à la terre. Si la prise ne correspond pas à la fiche, consultez votre entrepreneur électrique.

AVERTISSEMENT : Faites remplacer les cordons usés, coupés ou endommagés par un personnel d'entretien agréé.

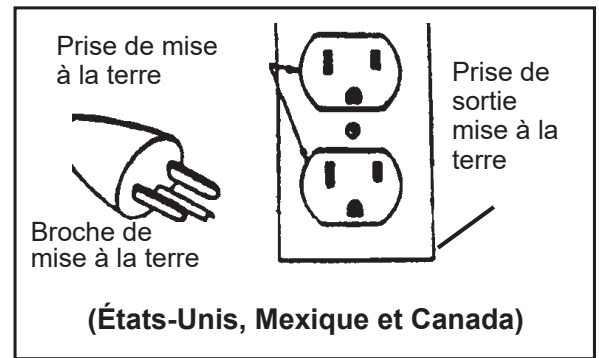
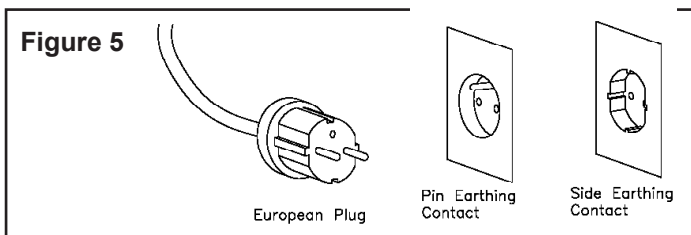


Figure 12

Consignes pour le branchement électrique (230V)

ATTENTION : Cette machine fonctionne uniquement avec la fréquence et la tension CA spécifiées sur la plaque. Assurez-vous que vous utilisez la bonne fréquence et tension avant de brancher le cordon d'alimentation dans une prise.

Cette machine doit être mise à la terre pour protéger l'opérateur du danger d'électrocution. La machine est munie d'un cordon d'alimentation avec deux principaux conducteurs et un conducteur de terre. Branchez la fiche dans un réceptacle du type indiqué dans la figure 5. Le conducteur vert et jaune est le conducteur de terre. Ne jamais brancher ce conducteur à une borne autre que celle de mise à la terre.



AVERTISSEMENT : Utilisez toujours cette machine avec un système électrique à 3 conducteurs raccordé à la masse. Remplacez tout cordon usagé, coupé ou endommagé. Remplacez les fiches, réceptacles ou corps de connecteurs endommagés. Ne déplacez pas la machine au-dessus d'un cordon électrique. Soulevez toujours le cordon au-dessus de la machine.

Collecte Des Poussières

Cette ponceuse est conçue pour fonctionner équipée d'un système à distance de collecte des poussières par le vide, ou du sac à poussières fourni.

Préparation des systèmes à distance de collecte des poussières par le vide

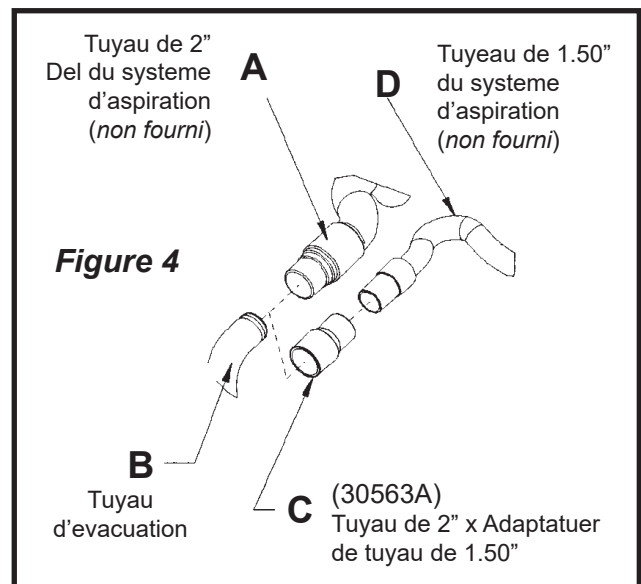
Pour préparer la machine à l'utilisation d'un système à distance de collecte des poussières par le vide ayant une extrémité de tuyau de 5 cm, procéder comme suit:

1. Monter l'extrémité de tuyau de 5 cm (Figure 4, A) directement sur le tuyau d'évacuation (Figure 4, B).
2. Il est possible de tourner le tuyau d'évacuation pour plus de commodité.

Pour préparer la machine à l'utilisation d'un système à distance de collecte des poussières par le vide ayant une extrémité de tuyau de 3,80 cm, procéder comme suit:

1. Monter l'adaptateur d'extrémité de tuyau (5 x 3,8 cm- Pièce no 30563A) (Figure 4, C) sur le tuyau d'évacuation (Figure 4, B).
2. Introduire l'extrémité de tuyau de 3,80 cm (Figure 4, D) dans l'adaptateur (Figure 4, C).

NOTE: Faire démarrer le système à distance de collecte par le vide avant de travailler.



Préparation pour utilisation du sac à poussières fourni

Pour préparer la machine à l'utilisation du sac à poussières fourni (Pièce no 53741A), procéder comme suit:

1. Installez le sac à poussières en appuyant son extrémité sur le tuyau d'évacuation jusqu'à ce que l'anneau se verrouille dans la rainure (Figure 5). On y parvient plus facilement en appuyant sur l'arrière de l'ouverture du sac avec la paume de la main.
2. Il est possible de tourner le tuyau d'évacuation pour plus de commodité.
3. Pour retirer le sac à poussières du tuyau d'évacuation, soulever l'extrémité de l'ouverture du sac pour partiellement dégager la nervure interne de la rainure, puis tirer.
4. Pour vider le sac à poussières, ouvrir la fermeture éclair de la trappe d'évacuation des déchets et expulser le contenu en retournant le sac.

NOTE: Pour obtenir les meilleurs résultats, vider fréquemment le sac. Respecter toutes les mises en garde indiquées dans le présent manuel et sur le sac à poussières.

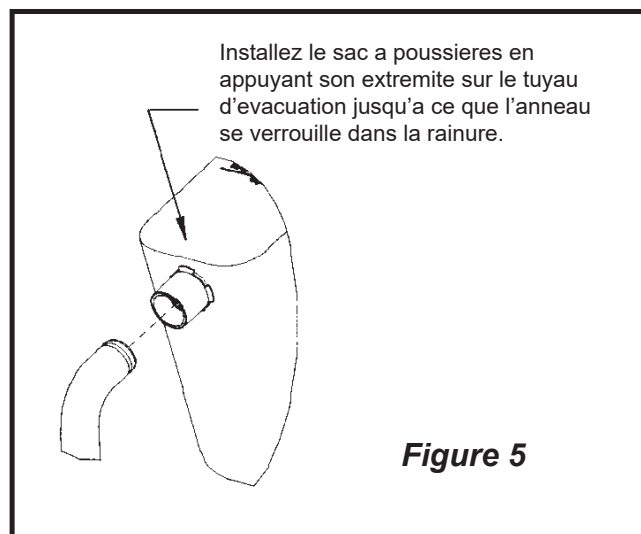


Figure 5

Utilisation De L'appareil – Ponçage

Pour poncer avec l'appareil, exécutez les opérations suivantes:

1. Déplacez l'appareil jusqu'au site de ponçage. Choisissez la meilleure approche pour poncer la zone à traiter. Lorsque vous ponchez une zone, déplacez-vous de façon à vous éloigner de la prise électrique. Vous réduirez ainsi les risques d'emmêler le cordon et vous serez moins souvent contraint de déplacer le cordon.
2. Installez le papier abrasif. Pour ce faire, utilisez la procédure d'installation du patin de ponçage décrite sous PRÉPARATION DE L'APPAREIL. Décollez la pellicule protectrice derrière le papier abrasif, centrez le papier sur le patin de ponçage et appuyez sur le papier pour le coller au patin. L'adhésif se trouvant sur le papier suffit pour le retenir sur le patin.

REMARQUE: Lorsque vous utilisez un abrasif grillagé, posez le grillage sur le sol, puis placez l'appareil au-dessus du grillage. Abaissez l'appareil jusqu'à ce que le patin de ponçage repose sur le grillage. Assurez-vous que le grillage est centré sur le patin.

AVERTISSEMENT: Des blessures peuvent survenir si l'appareil est raccordé à une source d'alimentation électrique pendant que vous installez un patin de ponçage ou un papier abrasif. Débranchez l'appareil avant toute installation d'un patin ou d'un papier abrasif.

3. Connectez l'appareil à un circuit électrique adéquatement mis à la terre et protégé par un fusible ou un disjoncteur.
4. Débloquez le manche en relevant le levier de verrouillage. Descendez le manche jusqu'à une hauteur confortable.

ATTENTION: Ne pas verrouiller le manche de l'appareil. Verrouiller la manche empêchera l'appareil de reposer également sur le coussin et diminue l'exécution de machine.

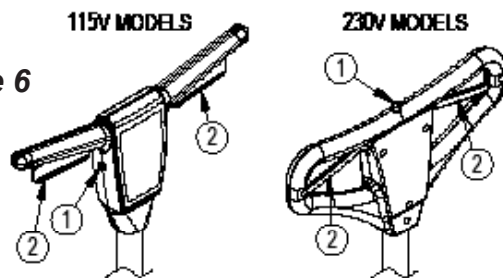


Figure 6

5.

Pousser sur le bouton de verrouillage (1) et appliquer une pression des mains sur les leviers (2). Pour arrêter l'appareil, relâchez les leviers (Voir fig. 5).

ATTENTION: Pour éviter d'endommager les parquets et pour réduire le tourbillonnement, gardez l'appareil en mouvement lorsque le moteur fonctionne.

Utilisation De L'appareil – Polissage

Pour polir avec l'appareil, exécutez les opérations suivantes:

ADVERTENCIA: Des blessures peuvent survenir si l'appareil est raccordé à une source d'alimentation électrique pendant que vous installez un patin de ponçage ou un papier abrasif. Débranchez l'appareil avant toute installation d'un patin ou d'un papier abrasif.

1. Connectez l'appareil à un circuit électrique adéquatement mis à la terre et protégé par un fusible ou un disjoncteur.
2. Débloquez le manche en relevant le levier de verrouillage. Descendez le manche jusqu'à une hauteur confortable.

ATTENTION: Ne pas verrouiller le manche de l'appareil. Verrouiller la manche empêchera l'appareil de reposer également sur le coussin et diminue l'exécution de machine.

3. Pousser sur le bouton de verrouillage (1) et appliquer une pression des mains sur les leviers (2). Pour arrêter l'appareil, relâchez les leviers (Voir fig. 4).

ATTENTION: Pour éviter d'endommager les parquets et pour réduire le tourbillonnement, gardez l'appareil en mouvement lorsque le moteur fonctionne.

Ponçage Et Papier Abrasif**Premier passage:**

Le but du premier passage est d'enlever l'ancienne finition et les plus grosses imperfections. Utilisez un papier abrasif à gros grains (20-36 grains).

Passages finaux:

Le but d'un passage final est d'enlever les rayures produites durant le premier passage. Utilisez un papier abrasif à petits grains (60-80 grains). Si la surface demeure rugueuse après un passage final, il pourrait être nécessaire d'utiliser un papier abrasif à grains plus fins (80-100 grains). La grosseur des grains abrasifs doit être choisie avec soin. Un grain trop fin risque de refermer les pores du bois, nuisant ainsi à l'absorption ultérieure de la teinture. Si vous détectez une vitrification ou des traces de brûlure, le papier abrasif s'est émoussé et doit être remplacé.

Dépannage

Problème	Cause	Solution
Le moteur ne démarre pas.	Aucune alimentation électrique.	Vérifiez l'alimentation électrique et les connexions.
	Le verrou n'est pas enfoncé.	Enfoncez le verrou avant d'actionner la manette de commande.
	Interrupteur défectueux, mauvaise connexion.	Contactez un détaillant American Sanders agréé.
El motor no arranca / funciona.	Tension faible à cause d'une rallonge trop longue ou trop fine.	Utilisez une rallonge électrique de grosseur 12 ne dépassant pas 50 pieds (15m).
	Défectuosité du condensateur de démarrage.	Contactez un détaillant American Sanders agréé.
	Défectuosité du démarreur.	Contactez un détaillant American Sanders agréé.
	Défectuosité du condensateur de démarrage/fonctionnement.	Contactez un détaillant American Sanders agréé.
	Problème de tension faible dans le moteur.	Contactez un détaillant American Sanders agréé.
Le fusible ou le disjoncteur saute se très souvent.		Éliminez la rallonge électrique.
	Tension trop faible.	Trouvez une source d'alimentation électrique plus proche du site.
		Faites vérifier la tension électrique par un électricien.
	Mauvaise connexion.	Contactez un détaillant American Sanders agréé.
	Moteur défectueux.	Contactez un détaillant American Sanders agréé.

LEES DEZE HANDLEIDING

Deze handleiding bevat belangrijke informatie voor het gebruik en de veilige bediening van deze machine. Als u deze handleiding niet leest voordat u uw American Sanders machine bedient of probeert te onderhouden, kan dat leiden tot letsel bij uzelf of ander personeel, schade aan de machine of schade aan andere eigendommen. U moet getraind zijn in het bedienen van deze machine voordat u deze gebruikt. Als de gebruiker deze handleiding niet kan lezen, moet de volledige handleiding worden uitgelegd voordat hij of zij de machine bedient.

Alle aanwijzingen worden hier gegeven vanuit het oogpunt van de gebruiker achter de machine.

Sectie A - Inhoud

Instructies voor de veiligheid van de gebruiker.....	26
Inleiding.....	27
Specificaties.....	27
Transport.....	28
Machine-instelling.....	28
Veiligheidsinstructies.....	29
Stofopvang.....	30
Gebruiksaanwijzingen.....	30
Schuurbeurten en schuurpapier.....	31
Probleemoplossing.....	32

Sectie D - Onderdelen

Opmerkingen.....	35
Elektrisch schema 115V.....	36
Elektrisch schema 230V.....	37
Onderkant (opbouw).....	38
Motor (standaard).....	40
Motor - Stofopvang.....	42
Handgreep 115V.....	44
Handgreep 230V.....	46
Handgreep 230V CE.....	48
07083A Serielabel.....	50
EG Conformiteitsverklaring.....	51
Garantie.....	55

WAARSCHUWING!

De producten die bij deze handleiding worden geleverd bevatten mogelijk chemicaliën waarvan het bij bepaalde overheden (bijvoorbeeld de staat Californië, zoals bepaald in de wet Proposition 65 voor verplichte waarschuwingen) bekend is dat deze kankerverwekkend zijn of aangeboren afwijkingen of andere vruchtbaarheidsproblemen veroorzaken. In bepaalde locaties (inclusief de staat Californië) zijn de kopers van deze producten die ze in gebruik nemen op een werkplek of een publieke ruimte wettelijk verplicht tot bepaalde meldingen, waarschuwingen of kennisgevingen over de chemicaliën die (mogelijk) aanwezig zijn in de producten op of rond die werkplek. De koper is er verantwoordelijk voor om op de hoogte te zijn van wet- en regelgeving voor het gebruik van deze producten in dergelijke omgevingen, en deze na te leven. De fabrikant wijst elke verantwoordelijkheid af voor het inlichten van kopers over specifieke vereisten die gelden voor het gebruik van de producten in dergelijke omgevingen.

*****Dit product is alleen bedoeld voor commercieel gebruik*****








Instructies voor de veiligheid van de gebruiker

In deze bedieningshandleiding vindt u drie soorten instructies die u moet lezen en toepassen om deze machine veilig te bedienen.

GEVAAR betekent: Als de instructies waar **GEVAAR** bij staat op deze machine of in deze bedieningshandleiding worden genegeerd of niet worden nageleefd, kan dat zwaar lichamelijk letsel of de dood tot gevolg hebben. Lees en volg alle instructies waar **GEVAAR** bij staat in deze bedieningshandleiding en op de machine.

WAARSCHUWING betekent: Als de instructies waar **WAARSCHUWING** bij staat op deze machine of in deze gebruikershandleiding worden genegeerd of niet worden nageleefd, kan dat leiden tot letsel bij u of ander personeel. Lees en volg alle instructies waar **WAARSCHUWING** bij staat in deze bedieningshandleiding en op de machine.

LET OP betekent: Als de instructies waar **LET OP** bij staat op deze machine of in deze bedieningshandleiding worden genegeerd of niet worden nageleefd, kan dat leiden tot schade aan de machine of andere eigendommen. Lees en volg alle instructies waar **LET OP** bij staat in deze bedieningshandleiding en op de machine.

- GEVAAR:** Als u deze handleiding niet leest voordat u uw American Sanders machine bedient of probeert te onderhouden, kan dat leiden tot letsel bij uzelf of ander personeel, schade aan de machine of schade aan andere eigendommen. U moet getraind zijn in het bedienen van deze machine voordat u deze gebruikt. Als u of de gebruiker geen Nederlands kan lezen, moet de volledige handleiding worden uitgelegd voordat hij of zij de machine bedient.
-   
- GEVAAR:**
- A. Schuren/afwerken van houten vloeren kan een explosieve of brandbare omgeving creëren. Gebruik deze machine niet in de omgeving van oplosmiddelen, thinner, brandstof, vloerafwerkingsmiddelen, houtstof of andere ontvlambare materialen. Aanstekers, waakvlammen, elektrische vonken en alle andere vormen van ontsteking moeten worden uitgeschakeld of verwijderd. Zorg dat de werkruimte goed geventileerd is.
-  
- B. Stof als gevolg van het schuren van houten vloeren kan spontaan ontbranden of ontploffen. Voer stof zo snel mogelijk af in een metalen bak die geen brandbare stoffen bevat. Gooi het stof niet in vuur.
- GEVAAR:**
- A. Er kan elektrocutie optreden als de machine wordt onderhouden terwijl deze is aangesloten op een stroombron. Haal de stekker uit het stopcontact voordat u onderhoud uitvoert.
-  
- B. Er kan elektrocutie of brand optreden als de machine wordt gebruikt met een beschadigd netsnoer. Houd het netsnoer weg van de pad. Til het netsnoer altijd over de machine heen. Beweeg de machine niet langs het netsnoer.
- C. Gevaar van elektrische schokken. Gebruik de machine niet wanneer deze is natgeregend of er water op is gespreoid.
- GEVAAR:** Zorg dat handen, voeten en losse kleding niet in de buurt van bewegende onderdelen van de machine komen, om letsel te voorkomen. Haal de stekker uit het stopcontact voordat u de pad vervangt, een ander vel schuurpapier aanbrengt of onderhoud uitvoert. Gebruik de machine alleen als alle afschermingen aanwezig zijn. Laat de machine nooit onbeheerd achter terwijl deze is aangesloten op een stroombron.
-  
- WAARSCHUWING:** De gebruiker kan gewond raken als hij of zij schuurt zonder beschermende kleding of beschermingsmiddelen. Draag altijd een veiligheidsbril, beschermende kleding en een stofmasker tijdens het schuren.
-  
- WAARSCHUWING:** Gebruik deze machine niet op geïmpregneerd hout. Sommige soorten geïmpregneerd hout bevatten arsenicum en er komt schadelijk stof vrij bij het schuren van geïmpregneerd hout. Het inademen van schadelijk stof van geïmpregneerd hout kan ernstige gezondheidsproblemen of de dood veroorzaken. Het schuren van een veranda van geïmpregneerd hout kan de machine beschadigen. Dit wordt niet gedekt door onze garantie.
-  
- WAARSCHUWING:** Elke wijziging of aanpassing van deze machine kan leiden tot schade aan de machine of verwonding van de gebruiker of omstanders. Wijzigingen of aanpassingen die niet zijn goedgekeurd door de fabrikant maken elke garantie of aansprakelijkheid nietig.
-  **WAARSCHUWING:** Ontploffingsgevaar. Het schuren van een vloer kan een explosief mengsel van fijn stof en lucht veroorzaken. Gebruik de vloerschuurmachine alleen in een goed geventileerde ruimte zonder vuur of vonken.

**WAARSCHUWING OVER DE STOFZAK**

SPECIALE WAARSCHUWING OVER HET ONTBRANDEN VAN STOFZAKKEN Stof als resultaat van het schuren van houten vloeren kan SPONTAAN ONTBRANDEN OF ONTPLOFFEN! De STOFZAK van de schuurmachine MOET REGELMATIG worden GELEEGD voordat de werkzaamheden worden stopgezet. SLA SCHUURSTOF NOOIT OP IN OF ROND STRUCTUREN OF ANDERE BRANDBARE MATERIALEN. Voer schuurstof onmiddellijk af naar buiten in overeenstemming met de plaatselijke voorschriften. Gooi het stof niet in vuur.

Inleiding

De OBS-18 of OBS-18DC kunnen op verschillende oppervlakken worden gebruikt. Het is een ideaal gereedschap voor onderhoud en het restaureren van houten vloeren. Het is ook geschikt voor het schoonmaken van harde vloeren zoals tegels of Terrazzo.

Specificaties

Model	OBS-18	OBS-18DC		
Modelnummer	07076B	07081B	07083B	07083A
Voltage / Frequentie	115V / 60Hz	115V / 60Hz	230V / 50Hz	230V / 50Hz
Stroomsterkte (A)	10	10	5	5
Motor	1 pk 750 W	1 pk 750 W	1 pk 750 W	1 pk 750 W
Afmetingen van pad	305 mm X 457 mm	305 mm X 457 mm	305 mm X 457 mm	305 mm X 457 mm
Banen per minuut	3600	3600	3000	3000
Diameter vande baan	6,4 mm	6,4 mm	6,4 mm	6,4 mm
Transportgewicht	57 kg	57 kg	57 kg	57 kg
Geluidsniveau (dBA)	74	74	74	74
Trillingen (m/s/s)	11,2	11,2	11,2	11,2

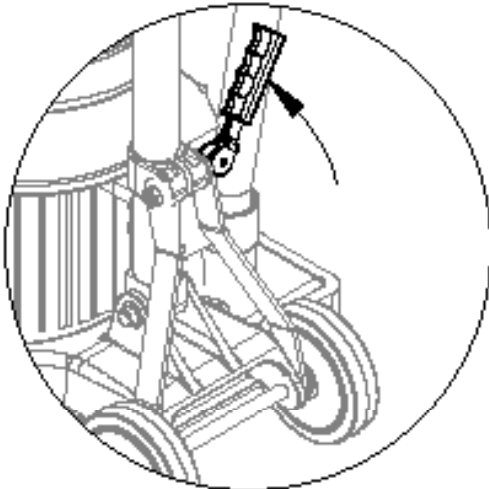
Transport

Volg deze procedure om de machine te vervoeren:

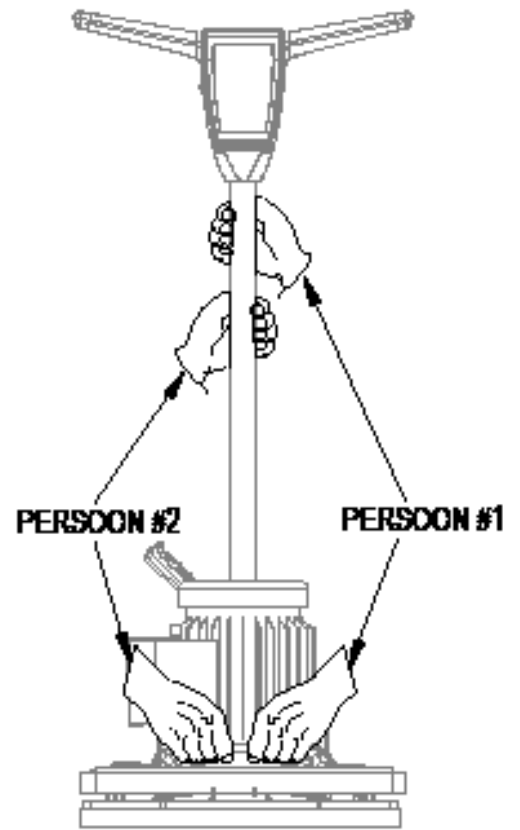
1. Haal de stekker uit de wandcontactdoos en wikkel het snoer om de handgreep.
2. Duw de handgreep omhoog totdat deze rechtop staat en vastzit. Trek de hendel van de handgreep voor drukbevrijding omhoog om de handgreep te vergrendelen (zie *Figuur 1*).
3. Pak de machine op bij de hefpunten (zie *Figuur 2*) en plaats de machine in de laadruimte.

WAARSCHUWING: De machine is zwaar (57 kg). Houd de machine stevig vast en pas een goede hijstechniek toe om letsel of schade aan de machine te voorkomen. Vraag indien nodig hulp.

4. Maak de machine goed vast om beweging in het laadruim te voorkomen.



Figuur 1



Figuur 2

Machine-instelling

Volg deze procedure om de machine klaar te maken voor gebruik:

1. Leer hoe de machine werkt. Lees alle instructies waar 'Gevaar', 'Waarschuwing' of 'Let op' bij staat en de Gebruikshandleiding voordat u de machine bedient. Als u of de gebruiker geen Nederlands kan lezen, laat deze handleiding dan volledig uitleggen voordat u probeert deze machine te bedienen.
2. Plaats of vervang de pad. De pad moet worden vervangen als deze is afgesleten tot een dikte van 9,5 mm of minder. Volg deze instructies om de pad te plaatsen of te vervangen:
 - A. Vergrendel de handgreep door deze rechtop te zetten.
 - B. Kantel de machine achteruit totdat deze volledig om de handgreep rust.
 - C. Verwijder de oude pad terwijl u zich over de machine buigt. Houd vervolgens de nieuwe pad precies boven de ruwe plaat.
 - D. Druk de pad stevig tegen de ruwe plaat totdat de haken in de driver zich vastbijten in de pad (zie *Figuur 3*).
 - E. Zet de machine weer rechtop.



Figuur 3



WAARSCHUWING: Breng uzelf of anderen nooit in een positie waardoor u gewond kunt raken wanneer de machine omvalt terwijl u de pad vervangt of een ander vel schuurpapier aanbrengt.



LET OP: De ruwe grip-plaat wordt beschadigd als de machine zonder pad wordt gebruikt of met een pad die dunner is dan 9,5 mm.

Verlengsnoeren (120V)

Gebruik alleen een goedgekeurd verlengsnoer met drie geleiders, een stekker met drie pennen en een connectorbehuizing met drie gaten.

WAARSCHUWING: Als u een verlengsnoer gebruikt, kies dan een verlengsnoer met een minimale dikte van 12 AWG. Gebruik geen verlengsnoer dat langer is dan 15 m. Sluit een verlengsnoer niet op een ander verlengsnoer aan.

Verlengsnoeren (230V)

Gebruik alleen een verlengsnoer met twee actieve leidingen en één aardleiding.

WAARSCHUWING: Als u een verlengsnoer gebruikt, kies dan een verlengsnoer met een minimale dikte van 1,50 mm². Gebruik geen verlengsnoer dat langer is dan 15 m. Sluit een verlengsnoer niet op een ander verlengsnoer aan.

WAARSCHUWING: Probeer niet de aardklem door te snijden, te verwijderen of af te breken. Probeer een stekker met drie contactpunten niet aan te sluiten op een contactdoos of connector die niet bij de stekker passen. Als de stekker niet op de contactdoos of connector past, neem dan contact op met uw erkende dealer voor het maken van die aansluiting.

Instructies elektrische verbinding (120V)

Instructies voor aansluiting op de voeding en de elektrische aarding.

Dit product moet geaard zijn. Als de machine niet goed werkt of defect raakt, biedt aarding een weg met de minste weerstand om de elektrische stroom af te leiden en het risico op elektrische schokken te verminderen. Dit product is uitgerust met een snoer met een aardingsgeleider en een aardingsstekker. De stekker moet in een geschikt contact worden gestoken dat correct is geïnstalleerd en geaard in overeenstemming met alle lokale voorschriften en verordeningen.

WAARSCHUWING: Een onjuiste aansluiting van de aardingsgeleider van de apparatuur kan leiden tot een risico op elektrische schokken. Neem contact op met een gekwalificeerde elektricien of servicemonteur als u twijfelt of het stopcontact goed is geaard. Breng geen wijzigingen aan in de stekker die bij het product is geleverd. Als deze niet in het stopcontact past, moet u een geschikt stopcontact laten installeren door een gekwalificeerde elektricien.

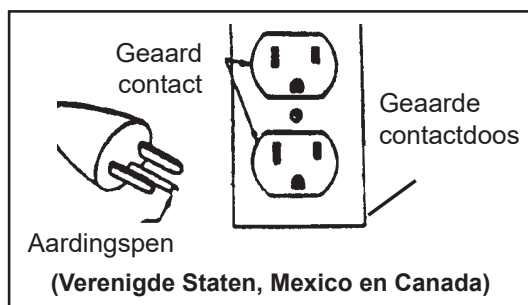
Deze machine is bestemd voor gebruik in een stroomkring van nominaal 120V en heeft een geaarde stekker die overeenkomt met de stekker zoals geïllustreerd in Figuur 12. Zorg ervoor dat de machine is aangesloten op een stopcontact met dezelfde configuratie als de stekker. Gebruik geen adapter voor deze machine. Sluit de machine altijd aan op een speciale elektrische leiding van 20 ampère om hinderlijke uitschakeling van de stroomonderbreker en overbelasting van de leidingen door andere apparaten te voorkomen.

WAARSCHUWING: Bescherm de machine tegen regen om mogelijke elektrische schokken te voorkomen. Houd de machine in een droog gebouw.

WAARSCHUWING: Om mogelijke elektrische schokken te voorkomen, moet altijd een 3-draads elektrisch systeem gebruikt worden dat is aangesloten op een elektrische aarding. Gebruik voor maximale bescherming tegen elektrische schokken een circuit dat wordt beschermd door een aardlekschakelaar. Raadpleeg uw elektrische aannemer.

WAARSCHUWING: Probeer de aardklem niet door te snijden, te verwijderen of af te breken. Als het stopcontact niet in de stekker past, neem dan contact op met uw elektricien.

WAARSCHUWING: Laat versleten, gescheurde of beschadigde snoeren vervangen door een geautoriseerde servicemonteur.

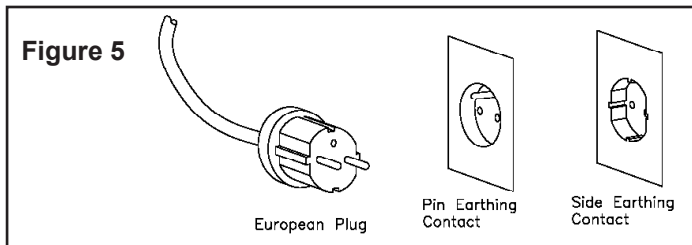


Figuur 12

Instructies elektrische verbinding (230V)

! LET OP: Deze machine werkt alleen op de wisselstroomfrequentie en de spanning die op het typeplaatje zijn aangegeven. Zorg dat u de juiste frequentie en spanning heeft voordat u de stekker in een wandcontactdoos steekt.

De machine moet geaard zijn om de gebruiker te beschermen tegen elektrische schokken. De machine heeft een netsnoer met twee actieve leidingen en één aardleiding. Sluit de stekker aan op het type wandcontactdoos zoals aangegeven in figuur 5. De groen-gele ader in de kabel is de aardleiding. Sluit deze ader nooit aan op een ander contactpunt dan de aardingspen.



! WAARSCHUWING: Gebruik deze machine altijd met een geaard drieadrig wisselstroomstelsel. Vervang alle versleten, doorsneden of beschadigde snoeren. Vervang alle beschadigde stekkers, contactdozen of connectoren. Beweeg de machine niet over het netsnoer heen. Til het netsnoer altijd over de machine heen.

Stofopzuiging

Deze schuurmachine is ontworpen voor gebruik met een extern stofopvangsysteem of met de meegeleverde stofzak.

Voorbereiden van externe systemen voor het opvangen van stof

Volg deze procedure om de machine voor te bereiden op externe systemen voor het opvangen van stof met een slanguiteinde van 5 cm (2"):

1. Installeer een slanguiteinde van 5 cm (2") (Figuur 4 - A) direct over de uitlaatpijp (Figuur 4 - B).
2. De uitlaatpijp kan voor optimaal gemak worden gedraaid.

Volg deze procedure om de machine voor te bereiden op externe systemen voor het opvangen van stof met een slanguiteinde van 3,81 cm (1-1/2"):

1. Installeer de buis van 5 x 3,81 cm (2" x 1-1/2") slangadapter op het uiteinde van de slang van 5 cm (2"). (Figuur 4-C)
2. Breng de slangadapter direct aan op de uitlaatpijp.
3. De uitlaatpijp kan voor optimaal gemak worden gedraaid.

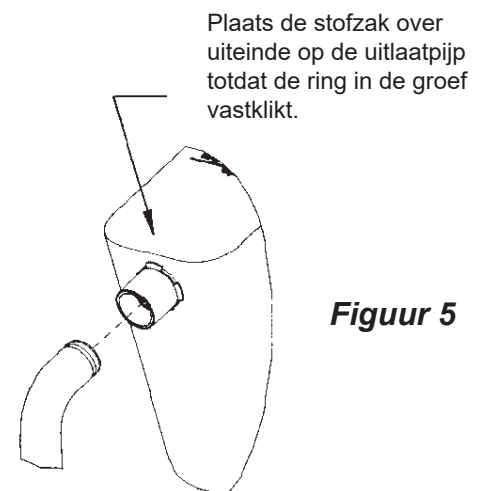
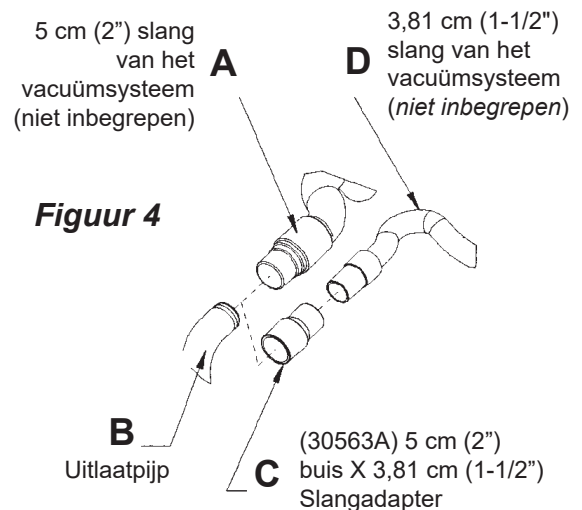
OPMERKING: Start het externe vacuümopvangsysteem voordat u de machine in gebruik gaat nemen.

Vorbereiding voor het gebruik van de stofzak

Volg deze procedure om de machine voor te bereiden voor gebruik met de meegeleverde stofzak (onderdeelnr. 53741A):

1. Plaats de stofzak over het uiteinde op de uitlaatpijp totdat de ring in de groef vastklikt (Figuur 5). Dit wordt best gedaan door met de palm van de hand op de achterkant van de opening van de zak te drukken.
2. De uitlaatpijp kan voor optimaal gemak worden gedraaid.
3. Om de stofzak uit de uitlaatpijp te verwijderen, wrikt u het uiteinde van de opening van de zak omhoog om de interne rib gedeeltelijk uit de groef te halen en trekt u er vervolgens aan.
4. Om de stofzak te legen, open de rits van de afvalklep en forceer de inhoud naar buiten door de zak om te keren.

OPMERKING Leeg de stofzak regelmatig voor de beste resultaten. Volg alle waarschuwingen in deze handleiding en op de stofzak.



Bedieningsvoorschriften - Schuren

Volg deze procedure om de machine te gebruiken als schuurmachine:

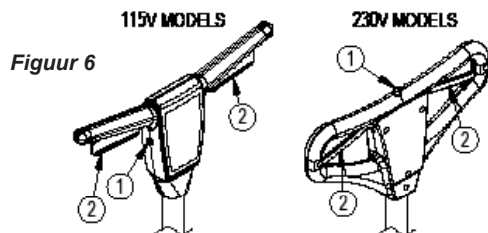
1. Verplaats de machine naar de werkruimte. Denk na over de beste benadering om de vloer te schuren. Begin bij het schuren van de vloer bij de stroombron werk daarvandaan. Zo helpt u voorkomen dat het netsnoer verstrikt raakt en hoeft u het niet zo vaak uit de weg te leggen.
2. Plaats het schuurpapier op de machine (zie *Schuurbeurten en Schuurpapier*). Gebruik dezelfde procedure als in "MACHINE-INSTELLING" voor het plaatsen van de pad, om het schuurpapier te plaatsen. Haal de folie van de achterkant van het schuurpapier, houd het schuurpapier recht boven de pad en druk het tegen de pad aan. De lijmlaag op het schuurpapier bevestigt het op de pad.

OPMERKING: Als u schuurgaas gebruikt, zet u het gaas op de vloer en beweegt u de machine over het gaas. Laat de machine zakken totdat de pad op het gaas rust. Zorg dat het gaas recht onder de pad ligt.

WAARSCHUWING: Letsel kan optreden als de machine is aangesloten op een stroombron terwijl u de pad of het schuurpapier aanbrengt. Haal de stekker uit het stopcontact voordat u de pad of het schuurmiddel aanbrengt.

3. Sluit de machine aan op een passende stroomkring met zekeringen en aarde.
 4. Maak de handgreep vrij door omhoog te drukken op de vergrendeling. Beweeg de handgreep naar een comfortabele positie.
- LET OP:** Vergrendel de handgreep niet. Als u de handgreep vergrendelt, rust de machine niet gelijkmatig op de pad, zodat de machine slechter en minder betrouwbaar functioneert.
5. Druk de interlock-knop in (1) en oefen druk uit op de hendels (2). Laat de hendels los om de machine te stoppen (2) (zie *Figuur 6*).

LET OP: Houd de machine in beweging wanneer de motor draait, om schade aan de vloer te voorkomen en ronddraaien te voorkomen.



Bedieningsvoorschriften - Polijsten

Volg deze procedure om de machine te gebruiken als polijstmachine:

WAARSCHUWING: Als de machine is aangesloten op een stroombron terwijl u de pad of het schuurpapier aanbrengt kan dit letsel veroorzaken. Haal de stekker uit het stopcontact voordat u de pad of het schuurmiddel aanbrengt.

1. Sluit de machine aan op een passende stroomkring met zekeringen en aarde.
2. Maak de handgreep vrij door omhoog te drukken op de vergrendeling. Beweeg de handgreep naar een comfortabele positie.

LET OP: Vergrendel de handgreep niet. Als u de handgreep vergrendelt, rust de machine niet gelijkmatig op de pad, zodat de machine slechter en minder betrouwbaar functioneert.

3. Druk de interlock-knop in (1) en oefen druk uit op de hendels (2). Laat de hendels los om de machine te stoppen (2) (zie *Figuur 6*).

LET OP: Houd de machine in beweging wanneer de motor draait, om schade aan de vloer te voorkomen en ronddraaien te voorkomen.

Schuurbeurten en schuurpapier

Eerste schuurbeurt:

Het doel van de eerste schuurbeurt is het verwijderen van oude afwerkingslagen en grove oneffenheden op het vloeroppervlak. Gebruik schuurpapier met een grove korrel (20-36).

Eindschuren:

Het doel van eindschuren is het verwijderen van de krassen die tijdens de eerste schuurbeurt zijn gemaakt. Gebruik schuurpapier met een fijne korrel (60-80). Als het vloeroppervlak nog ruw blijft na het eindschuren, moet u wellicht een schuurmiddel met nog fijnere korrel gebruiken (80-100 korrel). Wees voorzichtig bij het selecteren van de korrelgrootte van het schuurpapier. Met een erg fijne korrel kunnen de poriën in een houten vloer worden dichtgeschuurd, zodat vlekken moeilijk worden opgenomen. Als de vloer glazig wordt of er brandplekken ontstaan, dan is het schuurpapier versleten en moet het worden vervangen.

Problemen oplossen

Probleem	Mogelijke oorzaak	Actie
Motor start niet.	Geen stroomtoevoer.	Controleer de voeding en aansluiting.
	Interlock niet ingedrukt.	Druk op de interlock voordat u in de hendel knijpt.
	Defecte schakelaar of aansluiting.	Neem contact op met een erkende Amerikaanse Sanders-dealer.
Motor start niet of draait sloom.	Lage spanning wegens te lang of te dun verlengsnoer.	Gebruik een verlengsnoer dat ten minste 12 AWG dik (1,6 mm) en niet langer dan 15 m is.
	Defecte startcondensator.	Neem contact op met een erkende Amerikaanse Sanders-dealer.
	Defecte startschakelaar.	Neem contact op met een erkende Amerikaanse Sanders-dealer.
	Defecte bedrijfscondensator.	Neem contact op met een erkende Amerikaanse Sanders-dealer.
	Defecte motor.	Neem contact op met een erkende Amerikaanse Sanders-dealer.
Zekering of aardlekschakelaar slaat herhaaldelijk door.	Lage spanning.	Gebruik geen verlengsnoer.
		Gebruik een stroombron dicht bij de werkplek.
		Laat de spanning controleren door een gekwalificeerde elektricien.
	Slechte aansluiting.	Neem contact op met een erkende Amerikaanse Sanders-dealer.
	Defecte motor.	Neem contact op met een erkende Amerikaanse Sanders-dealer.

OBS-18

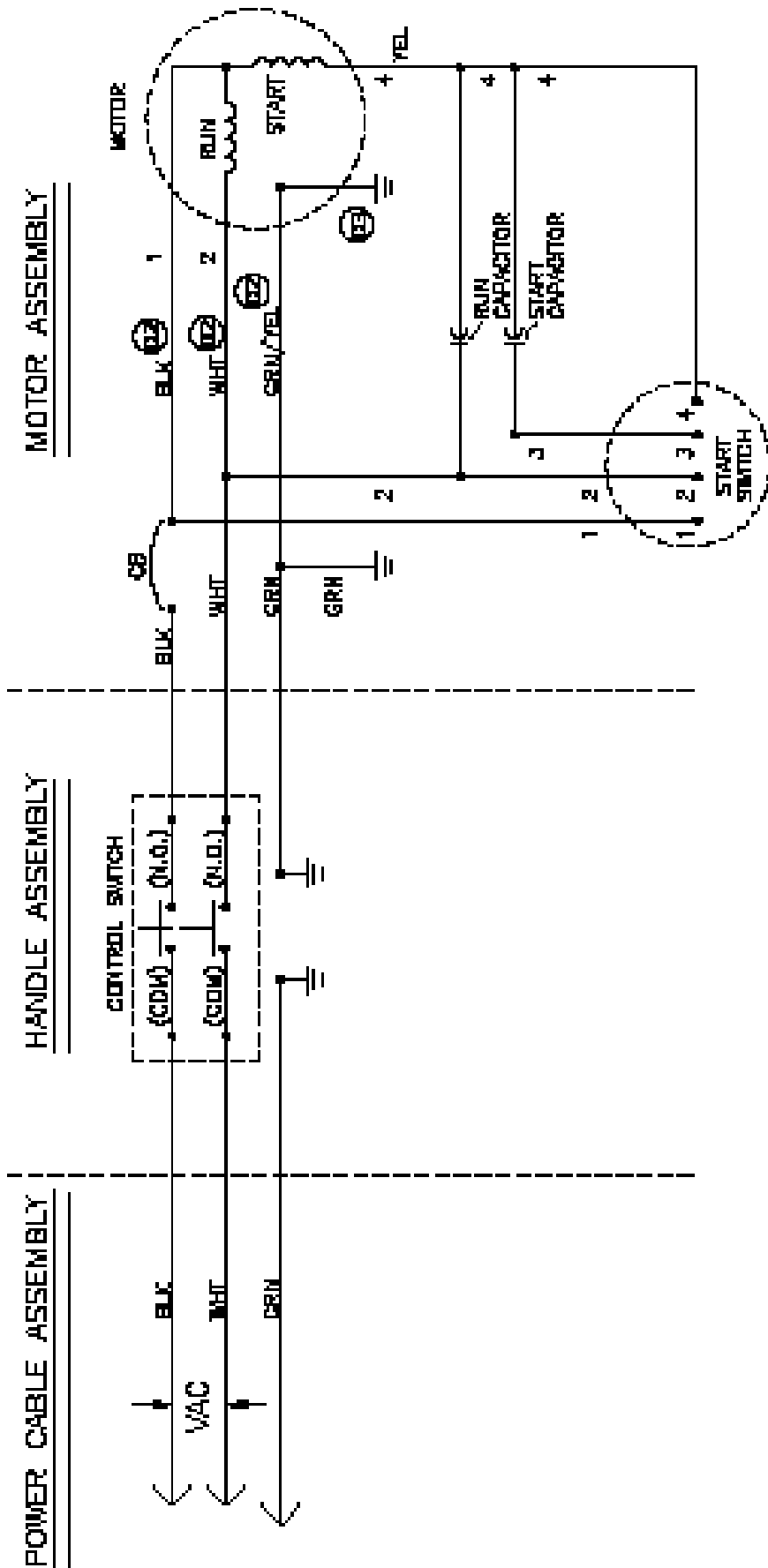
Orbital Sander

Parts Manual

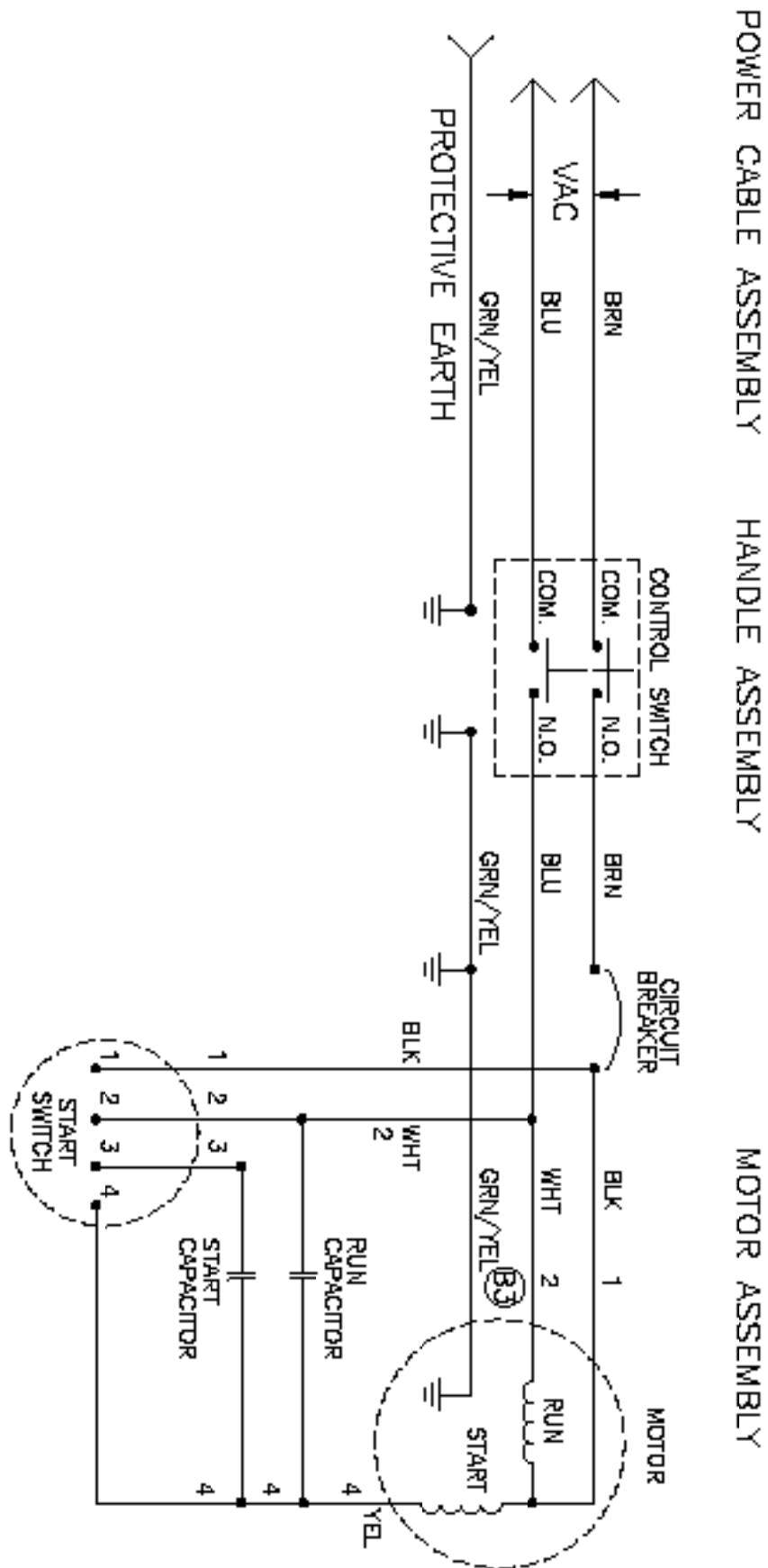
Notes:



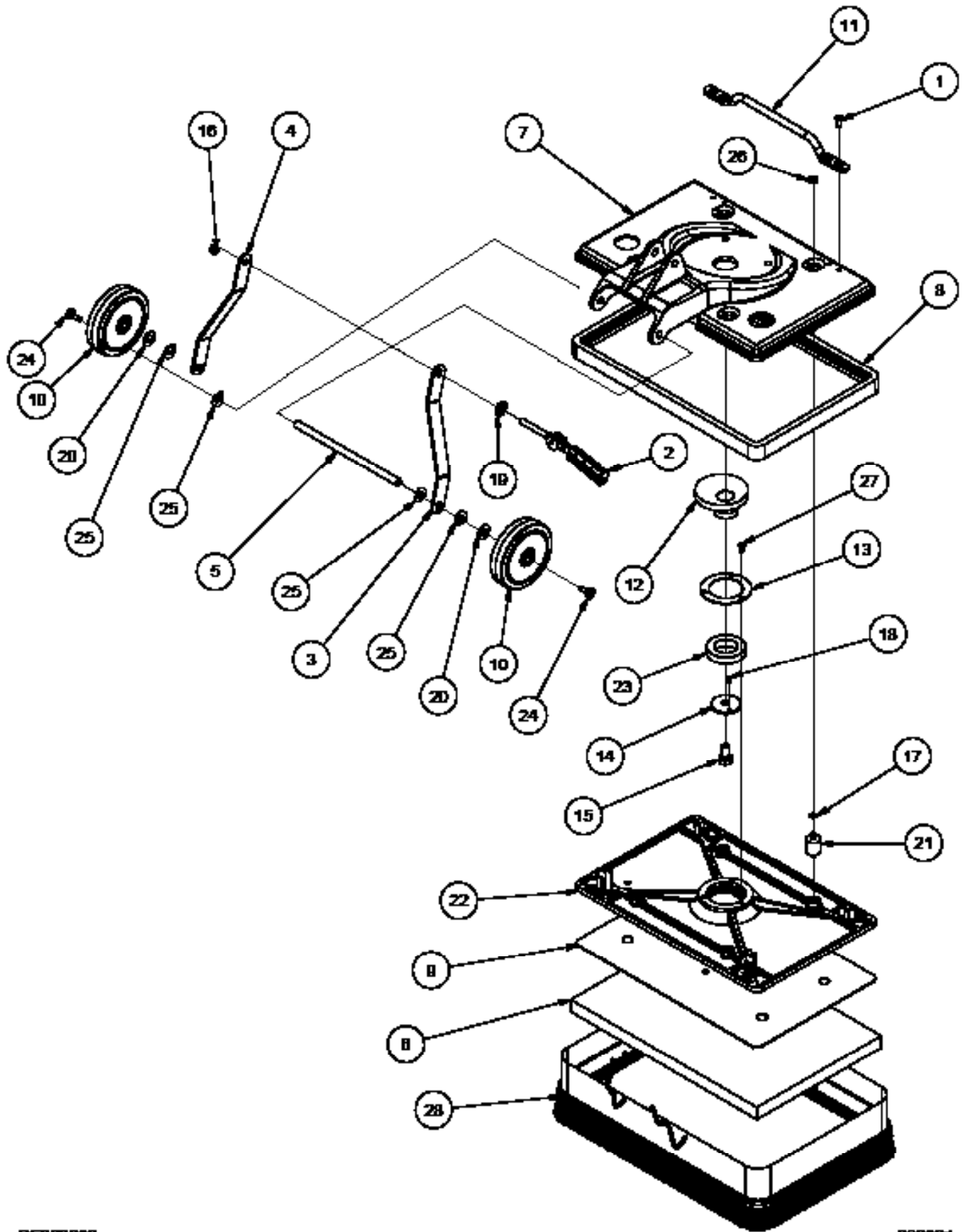
Electrical Schematic (115V - 60Hz)



Electrical Schematic (230V - 50Hz)



Base Assembly

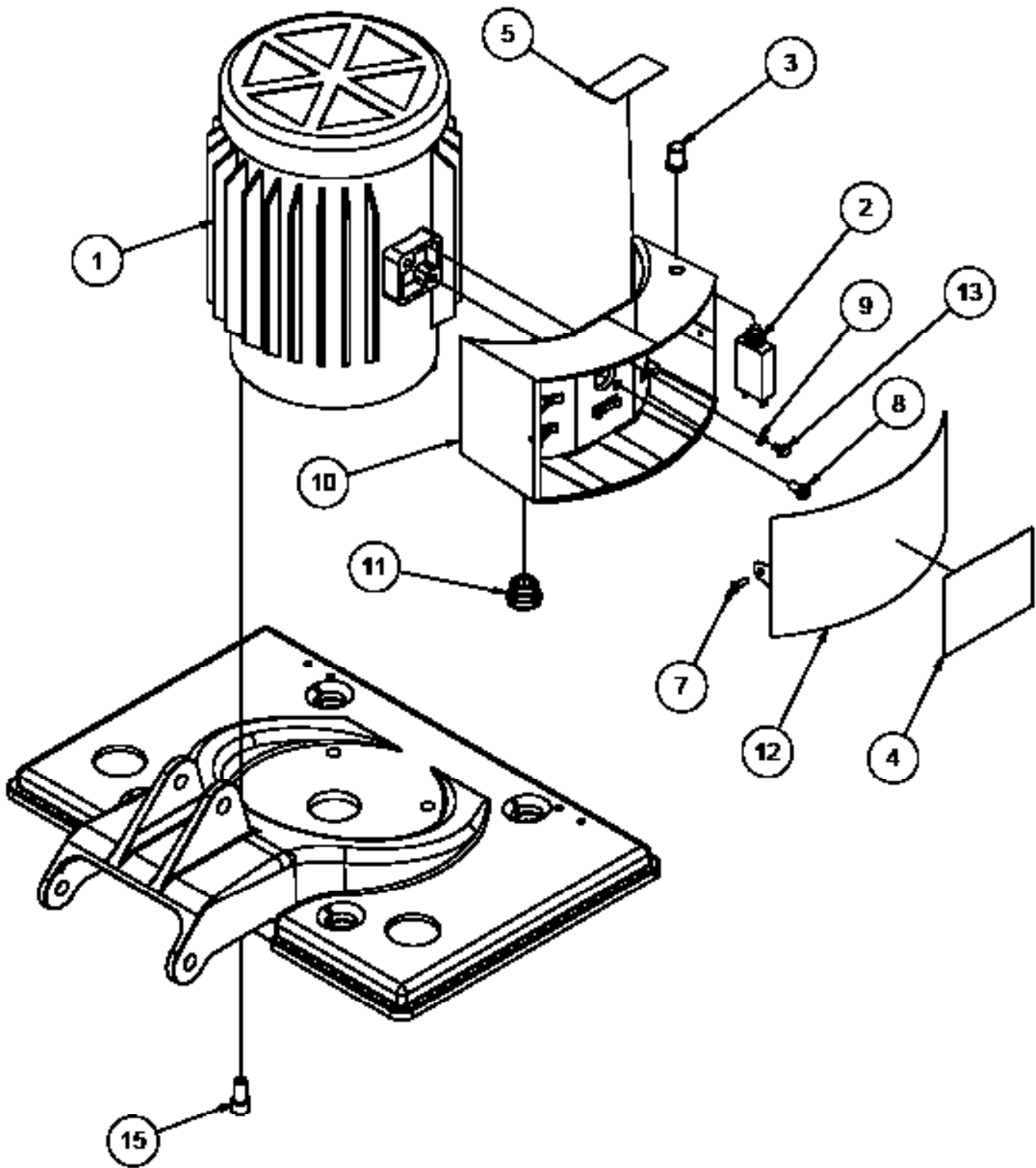


Base Assembly (continued)

<u>Item</u>	<u>Ref. No.</u>	<u>Description</u>	<u>Qty</u>	<u>Item</u>	<u>Ref. No.</u>	<u>Description</u>	<u>Qty</u>
1	962411	SCREW, 1/4" X 3/4", CS	4	14	66982A	RETAINER, ECCENTRIC	1
2	56109699	CAM ASM, w/ GRIP	1	15	85718A	SCREW, 1/2" X 3/4", SH	1
3	56381766	LINK-ARM, RIGHT	1	16	920248	NUT, 3/8"	1
4	56381767	LINK-ARM, LEFT	1	17	980614	WASHER, 1/4", STAR LOCK	4
5	56381768	SHAFT, AXLE	1	18	925589	PIN, ROLL	1
6	56382759	PAD, RED, 12" X 18"	1	19	AS087800	WASHER, WEAR, CAM	1
7A	25907A	MAINFRAME, OBS-18	1	20	980648	WASHER, 17/32" X 1-1/16"	2
7B	39734A	PLUG, HOLE (NOT SHOWN)	2	21	10666A	SPRING MOUNT KIT	1
7C	25908A	MAINFRAME, OBS-18DC (DC)	1	22	29931A	BASE, ORBITAL	1
8	31224B	BUMPER, FRAME (BLACK)	1	23	50736A	BEARING	1
9	AS009400	GRIP FACE	1	24	80292A	SCREW, 1/4" X 1"	2
10	39857A	WHEEL, 5" X 1.50" X .50"	2	25	80295A	WASHER, BOWED	4
11	54930A	HANDLE, LIFT	1	26	81220A	NUT, SERRATED FLANGE	4
12	62814A	ECCENTRIC	1	27	87700A	SCREW, 1/4" X 1/2" BH	3
13	66981A	RETAINER, BEARING	1	28	18445A	SKIRT, DUST, ASM. (DC)	1

(DC) = OBS-18DC w/ Dust Control

Motor Assembly - Standard

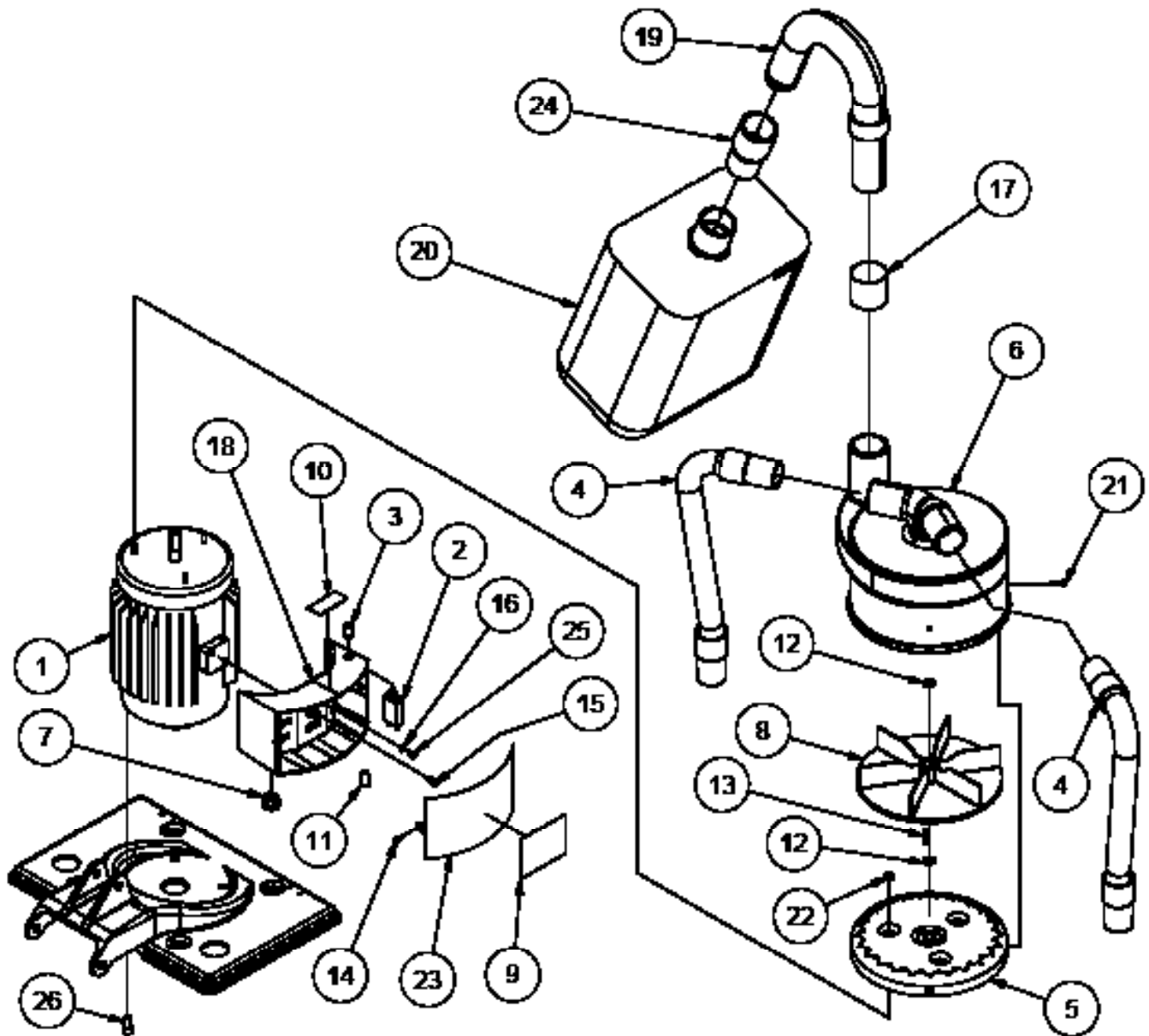


Motor Assembly - Standard (continued)

<u>Item</u>	<u>Ref. No.</u>	<u>Description</u>	<u>Qty</u>	<u>Item</u>	<u>Ref. No.</u>	<u>Description</u>	<u>Qty</u>
1A	56382831	MOTOR, 1HP, 115V / 60HZ	1	3	56459367	BOOT, RESET BUTTON	1
A1	AS018100	STARTER, SWITCH**	1	4	77195A	LABEL, UI FIRE & SAND	1
A2	41311A	CAPACITOR, RUN**	1	5	77234A	PLATE, WARNING	1
A3	41312A	CAPACITOR, START**	1	6	170667	CONNECTOR, TWIST, WIRE	1
A4	AS001800	FAN, MOTOR**	1	7	962727	SCREW, #8 X 1/2"	2
1B	MP486700	MOTOR, 1HP, 230V, 50HZ	1	8	962823	SCREW, 1/4" x 1/2", BH	2
B1	47378A	SWITCH, STARTER, 230V**	1	9	980603	WASHER, #10, LOCK, EXT	1
B2	41313A	CAPACITOR, RUN, 230V**	1	10	22906A	ENCLOSURE, MOTOR, START	1
B3	41314A	CAPACITOR, START, 230V**	1	11	51523A	BUSHING, STRAIN RELIEF, 7/8"	1
B4	AS001800	FAN, MOTOR**	1	12	62667A	COVER, ENCLOSURE	1
2A	56454538	BREAKER, CIRCUIT, 15A	1	13	85833A	SCREW, #10 X 3/8"	1
2B	41419A	BREAKER, CIRCUIT, 15A (OLD)	1	14	47709A	TERMINAL, 1/4, 10-12 Ga**	1
2C	41418C	CIRCUIT BREAKER, 10A, 230V	1	15	86112A	SCREW, 3/8" X 3/4", SH	4
				16	AS017502	BRACKET, MOUNTING, START, SWITCH**	1
				17	85313C	SCREW 6-32 X 3/8 PAN HD**	2
				18	9200056	NUT-6X32 ELASTIC STOP**	2

(**) = Not Shown

Motor Assembly - Dust Control

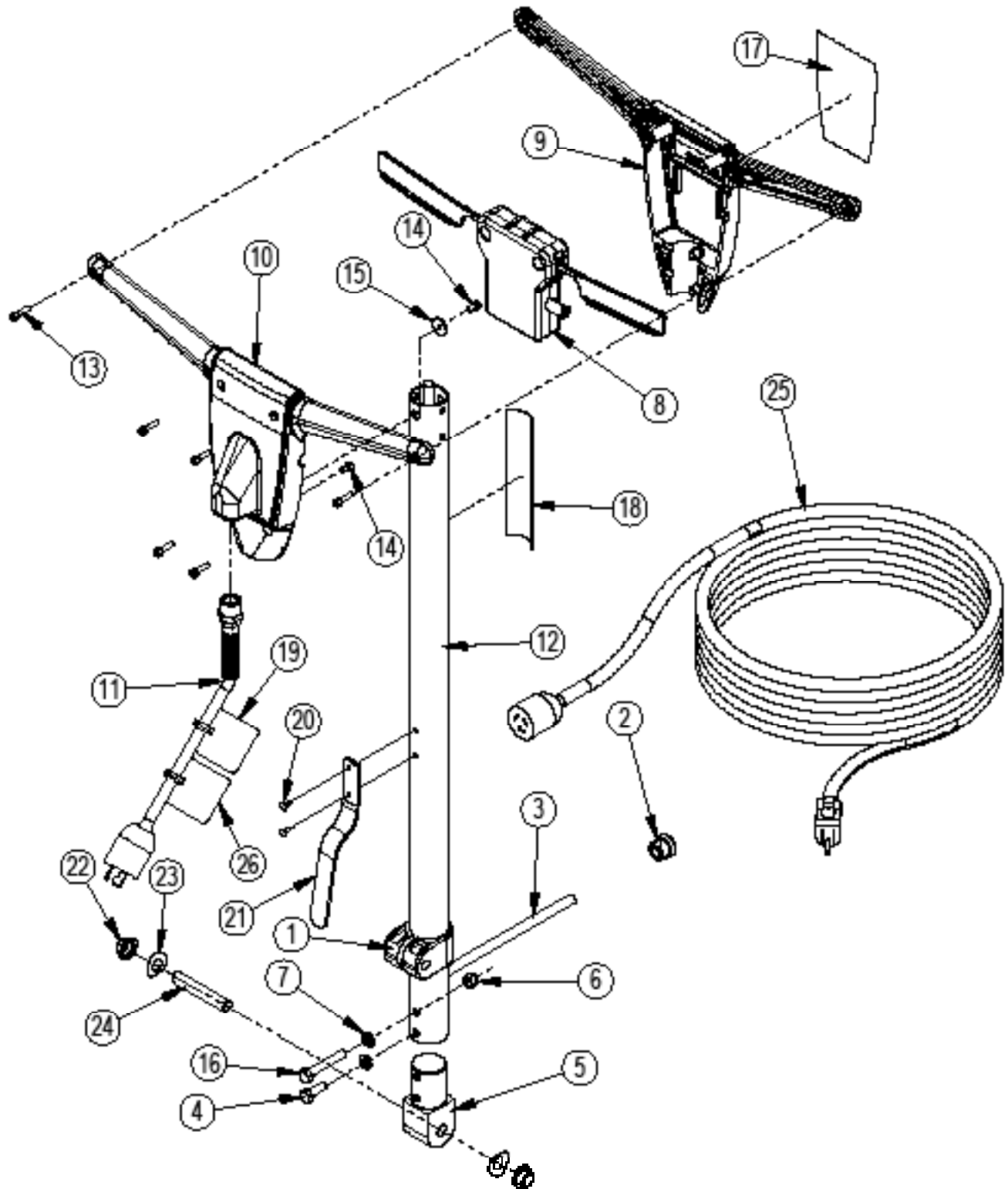


Motor Assembly - Dust Control (continued)

<u>Item</u>	<u>Ref. No.</u>	<u>Description</u>	<u>Qty</u>	<u>Item</u>	<u>Ref. No.</u>	<u>Description</u>	<u>Qty</u>
1A	56382885	MOTOR, 1 HP, 115V, 60HZ	1	7	51523A	BUSHING, RELIEF, STRAIN	1
A1	AS018100	STARTER, SWITCH**	1	8	54765A	IMPELLER	2
A2	41311A	CAPACITOR, RUN**	1	9	77195A	LABEL, UI FIRE & SAND	1
A3	41312A	CAPACITOR, START**	1	10	77234A	PLATE, WARNING	1
A4	50275A	COVER, FAN, MOTOR**	1	11	170667	CONNECTOR, TWIST, WIRE	1
A5	AS001800	FAN, MOTOR**	1	12	797301	RING, RETAINING, 5/8"	1
1B	44673A	MOTOR, 1HP, 230V, 50HZ	1	13	915044	KEY, SQUARE, 3/16"	1
B1	47378A	SWITCH, STARTER, 230V**	1	14	962727	SCREW, #8 X 1/2"	2
B2	41313A	CAPACITOR, RUN, 230V**	1	15	962983	SCR 1/4-20 X 5/8 PN ST MACH	2
B3	41314A	CAPACITOR, START, 230V**	1	16	980603	WASHER, #10, LOCK, EXT	1
B4	50275A	COVER, FAN, MOTOR**	1	17	56380336	SEAL, PIPE, DUST	1
B5	AS001800	FAN, MOTOR**	1	18	22906A	ENCLOSURE, MOTOR, START	1
2A	56454538	CIRCUIT BREAKER, 15A	1	19	61833A	TUBE, EXHAUST	1
2B	41419A	CIRCUIT BREAKER, 15A (OLD)	1	20	53741A	BAG, DUST	1
2C	41418C	CIRCUIT BREAKER, 10A, 230V	1	21	85383A	SCREW, #10 X 3/4"	4
3	56459367	BOOT, RESET BUTTON	1	22	920208	NUT, HEX, 1/4"	3
4	30407B	HOSE	1	23	62667A	COVER, ENCLOSURE	1
5	10478A	COVER, HOUSING, ASM.	1	24	30563A	ADAPTER, HOSE, 2"	1
6	35242A	HOUSING, BLOWER	1	25	85833A	SCREW, MACHINE, #10	1
				26	86112A	SCREW, 3/8" X 3/4", SH	4
				27	AS017502	BRACKET, MOUNTING, START, SWITCH**	1
				28	85313C	SCREW 6-32 X 3/8 PAN HD**	2
				29	9200056	NUT-6X32 ELASTIC STOP**	2

(**) = Not Shown

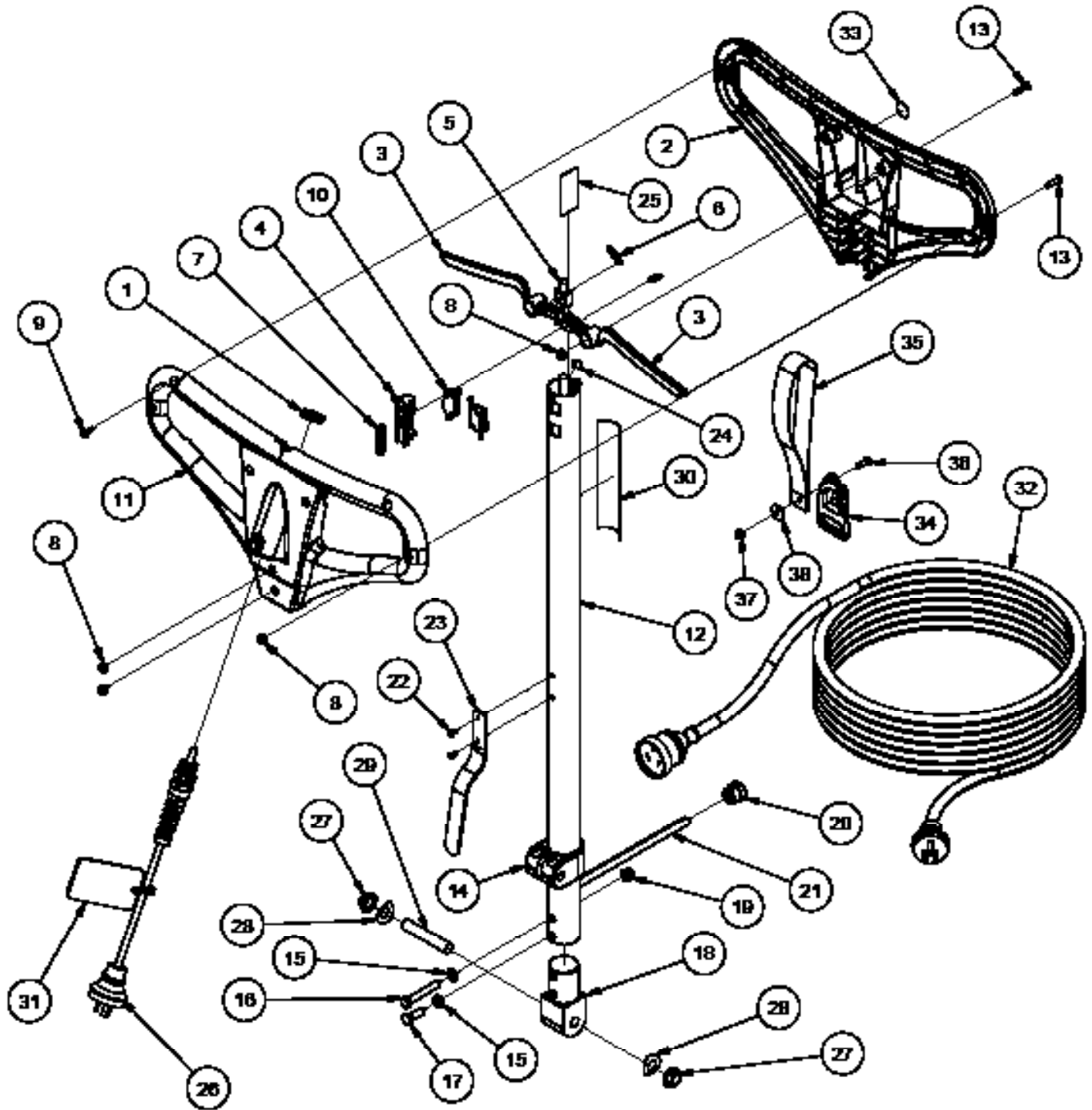
Handle Assembly - 115V



Handle Assembly - 115V (continued)

<u>Item</u>	<u>Ref. No.</u>	<u>Description</u>	<u>Qty</u>	<u>Item</u>	<u>Ref. No.</u>	<u>Description</u>	<u>Qty</u>
1	442001	CLAMP, TUBE, HANDLE	1	14	80290A	SCREW, #10 X 3/8"	2
2	627561	RELIEF, STRAIN	1	15	80291A	WASHER, FLAT, #10	1
3	40522A	INTERCONNECT, CORD	1	16	85817A	BOLT, HEX, 5/16" X 2"	1
4	85812A	BOLT, HEX, 5/16" X 7/8"	1	17	71126A	LABLE, HANDLE	1
5	509240	TONGUE, TUBE, HANDLE	1	18	71347A	LABLE, WARNING	1
6	920110	NUT, LOCK, 5/16"	1	19	70175A	TAG, WARNING	1
7	980652	WASHER, LOCK, 5/16"	2	20	930005	RIVET, 5/32"	2
8	10687A	INTERLOCK, ASM	1	21	64325A	HOOK, CORD	1
9	21074A	FRONT, HANDLE	1	22	920346	PALNUT, TYPE W	2
10	21075A	REAR, HANDLE	1	23	80295A	WASHER, BOWED	2
11	40931A	ADAPTER, CORD	1	24	67474A	SHAFT, PIVOT, HANDLE	1
12	61825A	TUBE, HANDLE	1	25	40540A	CORDSET, 12/3 X 40FT	1
13	80284A	SCREW, #10 X 3/4"	6	26	70175A-FR	TAG, WARNING	1

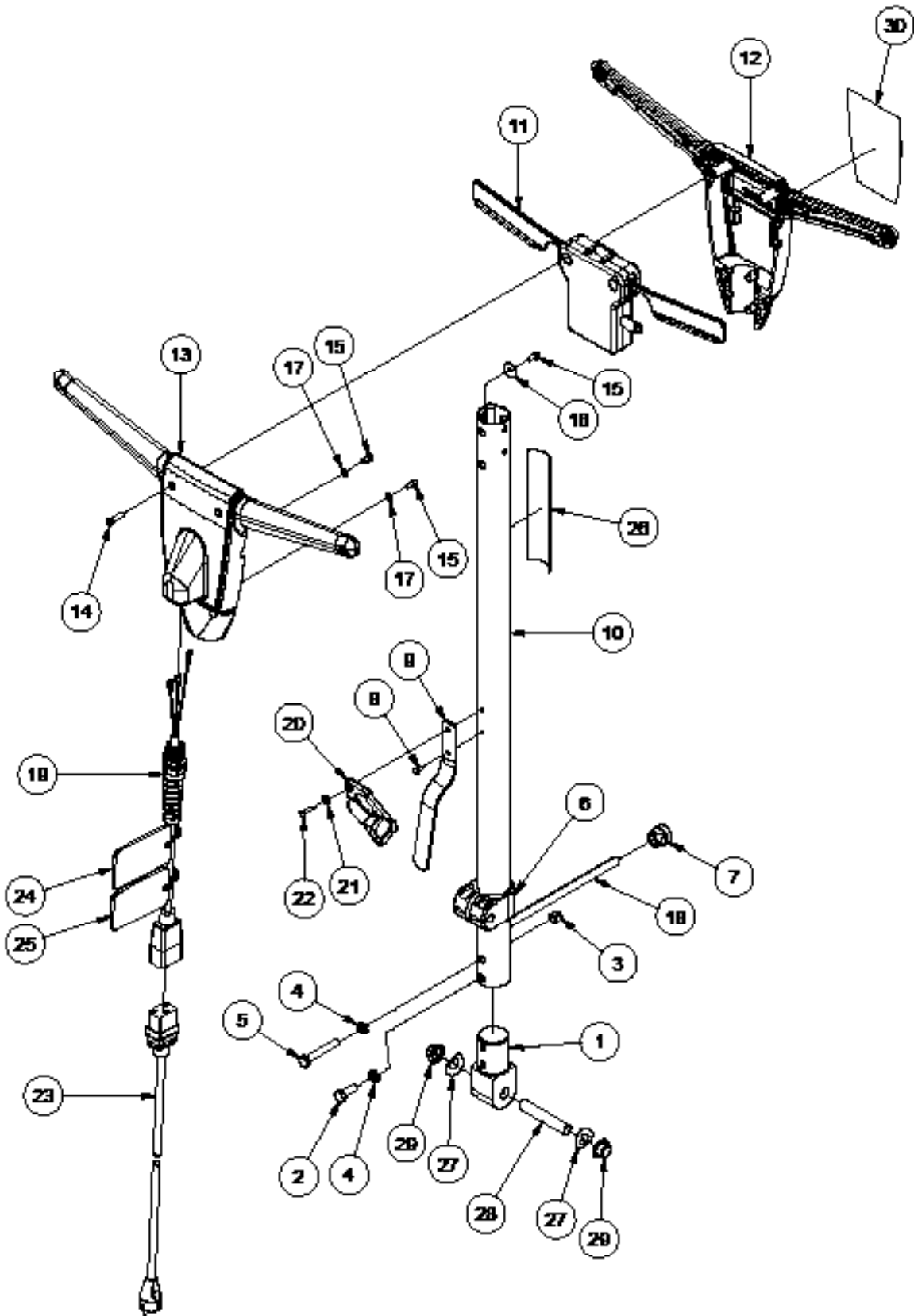
Handle Assembly - 230V Australia



Handle Assembly - 230V (continued) Australia

<u>Item</u>	<u>Ref. No.</u>	<u>Description</u>	<u>Qty</u>	<u>Item</u>	<u>Ref. No.</u>	<u>Description</u>	<u>Qty</u>
1	170686	NUT, CONDUIT, 1/2"	1	20	627561	RELIEF, STRAIN	1
2	30285A	FRONT, HANDLE	1	21	10250A	CORD, INTERCONNECT, ASM.	1
3	50798A	LEVER, SWITCH	2	22	930005	RIVET, 5/32"	2
4	50799A	INTERLOCK, MAIN	1	23	64325A	HOOK, CORD	1
5	50806A	BUTTON, INTERLOCK	1	24	77094A	LABEL, GROUND SYMBOL	1
6	50820A	SPRING, EXTENSION	2	25	50930A	RETAINER, CORD	1
7	50821A	SPRING, COMPRESSION	1	26	AS008200	CORD, PIGTAIL, AUST.	1
8	920722	NUT, #10	6	27	920346	PALNUT, TYPE W	2
9	962957	SCREW, #10 X 1/2"	2	28	80295A	WASHER, BOWED	2
10	40109A	SWITCH, MINATURE	2	29	67474A	SHAFT, PIVOT, HANDLE	1
11	50780A	REAR, HANDLE	1	30	71347A	LABEL CCA WARNING	1
12	69153B	TUBE, HANDLE	1	31	70175A	TAG WARNING	1
13	85383A	SCREW, #10 X 3/4"	6	32	AS008300	CORD, POWER, AUST	1
14	442001	CLAMP, HANDLE	1	33	AS006900	DECAL, MANUAL	1
15	980652	WASHER, LOCK, 5/16"	2	34	AS009000	HOOK, TETHER, CORD	1
16	85817A	BOLT, HEX, 5/16" X 2"	1	35	AS009100	STRAP, TETHER, CORD	1
17	85812A	BOLT, HEX, 5/16" X 7/8"	1	36	962109	SCREW, #10 X 5/8"	1
18	509240	TONGUE, HANDLE	1	37	920296	NUT, LOCK, #10	1
19	920110	NUT, LOCK, 5/16"	1	38	80291A	WASHER, FLAT, #10	1


Handle Assembly - 230V CE



Handle Assembly - 230V CE

<u>Item</u>	<u>Ref. No.</u>	<u>Description</u>	<u>Qty</u>	<u>Item</u>	<u>Ref. No.</u>	<u>Description</u>	<u>Qty</u>
1	509240	TONGUE, HANDLE TUBE	1	16	80291A	WASHER FLAT 10 TYPE B WIDE	1
2	85812A	SCREW 5/16-18 X 7/8 HEX HD GR5	1	17	980603	WASHER, LK 10 EXT TOOTH	2
3	920110	NUT, 5/16-18 HEX LOCK	1	18	10250A	CORD, INTERCONNECT, ASM.	1
4	980652	WASHER, LOCK, 5/16	1	19	MP512000	CORD, PIGTAIL, HANDLE, EXPORT, IEC	1
5	85817A	SCREW, HEX, 5/16-18 X 7/8, GD 5	1	20	AS009000	HOOK, TETHER, CORD, SUPPORT	1
6	442001	CLAMP - HANDLE TUBE	1	21	NB9720	WASHER, FLAT, #8	1
7	627561	STRAIN-RELIEF	1	22	NB074700	RIVET, 5/32 X 3/8-1/2, STEEL	1
8	930005	RIVET, 5/32 X 3/8 POP	1	23	MP513000	CORD, POWER SUPPLY, CE, IEC, RED	1
9	64325A	HOOK, CORD	1	24	70175A	TAG WARNING ENG-SPN	1
10	61825A	TUBE, HANDLE	1	25	70175A-FR	TAG WARNING ENG-FRN	1
11	10687A	MODULE INTERLOCK ASM	1	26	71347A	LABEL CCA WARNING	1
12	21074A	HANDLE, FRONT - CFP	1	27	80295A	WASHER BOWED .516ID X 1.06OD	2
13	21075A	HANDLE, REAR - CFP	1	28	67474A	SHAFT, HANDLE, PIVOT	1
14	80284A	SCREW 10-32UNF X .75 HRCS	6	29	920346	PALNUT TYPE W	2
15	80290A	SCREW 10-32 X 3/8 HRCS	3	30	AS011400	DECAL, HANDLE, OBS-18	1

07083A Serial Tag



Model: **OBS-18DC**
Part No: **07083A**
Serial No: **S??????**
Volts: **230V** Freq: **50Hz**
Watts: **750** Amps: **5**
??? **3600 OPM**
Sparta, NC 28675 USA

EC Declaration of Conformity



EC DECLARATION OF CONFORMITY

according to
EC Machinery Directive 2006/42/EC

We, **Amano Pioneer Eclipse Corp.** (1 Eclipse Road, PO Box 909, Sparta NC28675, USA) with authorized EU representative (see info under section importer) declare under our sole responsibility that the following described equipment in our delivered version complies with the appropriate basic safety and health requirements of the above-mentioned Directives based on its design and type, as brought into circulation by us. In case of alteration of the machine, not agreed upon by us, this declaration will lose its validity.

Applicable EC Directives:

- Electromagnetic Compatibility Directive 2014/30/EU of 26 February 2014
- Low Voltage Directive 2014/35/EU of 26 February 2014
- Machinery Directive 2006/42/EC + Amending Directive 95/16/EC of 17 May 2006
- Restriction of the use of certain hazardous substances in electrical and electronic equipment Directive 2011/65/EU of 8 June 2011

Applicable Harmonized Standards:

EN 60335-1:2010 + Corr.1:2010 + Corr.2:2011 + A1:2013 + Corr.1:2014
 EN 60335-2-72:2012, EN 62233:2008, EN 55014-1:2006 + A1:2009 + A2:2011
 EN 55014-2:1997 + A1:2001 + A2:2008, EN 61000-3-2:2014
 EN 61000-3-3:2013, EN 50581:2012,

Type of Equipment: **Commercial Wood Floor Sander**

Model Number(s): **07083A**

Description(s): **OBS-18DC 230V/50 HZ**

Serial Number: **054973**

Year in which CE marking was affixed: **2019**

Place: _____

Signature: _____

Date: **01/11/2019**

Name: _____

Position: _____

Importer's Name: _____

Date: _____

Importer's Address: _____

Name and Signature: _____

Limited Warranty

OBS-18 / OBS-18DC

TO QUALIFY FOR THIS WARRANTY

- (1) Machine must be registered within 30 days from the time of purchase on a form provided by American Sanders. Your American Sanders Distributor is responsible for the registration of your machine. Please cooperate with your Distributor in supplying necessary information on the card.
- (2) The machine must have been purchased from American Sanders or an authorized American Sanders Distributor.
- (3) This warranty extends to the original purchaser only and is not transferable to subsequent owners.

TIME PERIODS

ONE (1) YEAR WARRANTY - For the OBS-18.
Warranted to be free from defects in material and workmanship for a period of one (1) year from the date of purchase by the original owners. (See Exclusions)

EXCLUSIONS (Not Covered by Warranty)

- (1) Expendable wear items and parts that fail through normal wear by reason of their characteristics (cords, pads, grip face, wheels, isolators, filters, bags, or other consumable parts).
- (2) This warranty does not extend to parts affected by misuse, neglect, abuse, accidents, damage in transit, overloading the capacity of the machine, failure due to lack of proper maintenance or care as described in the operating and maintenance instructions. All defective parts must be returned to the distributor for credit.
- (3) Minor adjustments, such as tightening of screws or bolts not connected with the replacement of parts, are not covered.
- (4) Repairs or alterations by an organization other than the factory or an Authorized Service Center are not covered and will void any American Sanders warranty as to the parts or systems repaired or altered by a non-authorized organization.

THE OBLIGATION OF AMERICAN SANDERS

- (1) The obligation of American Sanders under this warranty is limited to repairing or replacing, at its option, any part which is proven to be defective in material or workmanship under normal use for the applicable period stated above.
- (2) Warranty repairs will be made by your American Sanders Distributor without charge for parts and labor. They will be compensated with a warranty labor rate of \$75.00 per hour, for the first year of ownership.
- (3) Parts repaired or replaced under this warranty are warranted only during the balance of the original warranty period. All defective parts replaced under these warranties become the property of American Sanders.

WARRANTY SERVICE

To obtain warranty service, take your machine and proof of purchase to any authorized American Sander Distributor. American Sanders will not reimburse expenses for service calls or travel. For the Distributor in your area, call American Sanders Customer Service Department at 800-367-3550 or 336-372-8080. If you are dissatisfied with the service that you receive, call or write American Sanders Customer Service Department for further assistance.

INSTRUCTIONS AND CONDITIONS FOR WARRANTY REIMBURSEMENT

- Order replacement part: Orders will be processed and charged, as normal procedure.
- Call American Sanders for R/A number.
- You will need the Machine Serial Number and the Machine Model Number.
- Parts must be returned, accompanied with the R/A number to be eligible for warranty credit.
- All Warranty Parts will be shipped prepaid UPS Ground, any other method will be at the recipients expense.
- Freight on any Warranty Part after 30 days must be paid for by the Purchaser.
- Warranty labor rate is \$75.00 USD per hour.
- Credit will be issued upon completion of the above steps, at the above rates.

Transportation of hazardous waste or contaminated equipment is subject to various laws and regulations. In returning machines, parts, or accessories under this limited warranty, the end user must certify in writing that the machines, parts, or accessories being returned have not been used for handling, clean up, or disposal of hazardous waste or hazardous materials including but not limited to such things as asbestos, anthrax etc. or if the machines, parts, or accessories being returned have been used for handling, clean up, or disposal of hazardous waste or hazardous materials, then the end user must have the machines, parts or accessories decontaminated by licensed and qualified decontamination professionals and provide written certification of this decontamination signed by the decontamination professionals. These machines, parts or accessories are to be returned only to the local American Sanders Service Center for warranty service along with decontamination certification.

DISCLAIMER OF CONSEQUENTIAL

THERE ARE NO WARRANTIES THAT EXTEND BEYOND THE DESCRIPTION OF THE LIMITED WARRANTIES STATED WITHIN. NO OTHER WARRANTY, EXPRESSED OR IMPLIED, INCLUDING BUT NOT LIMITED TO ANY IMPLIED WARRANTY OF MERCHANTABILITY OR FITNESS FOR A PARTICULAR PURPOSE, IS MADE EXCEPT AS EXPRESSLY STATED HEREIN. ANY STATUTORY IMPLIED WARRANTIES, INCLUDING ANY WARRANTY OF MERCHANTABILITY OR FITNESS FOR A PARTICULAR PURPOSE, THAT ARE IMPOSED BY LAW DESPITE THE EXPRESS LIMITATION OR WARRANTIES ABOVE, ARE EXPRESSLY LIMITED TO THE DURATION OF THE WRITTEN WARRANTY. BUYER UNDERSTANDS, ACKNOWLEDGES AND AGREES THAT THE REMEDIES PROVIDED UNDER THIS LIMITED WARRANTY ARE THE SOLE AND EXCLUSIVE REMEDIES AVAILABLE TO THE BUYER. AMERICAN SANDERS DISCLAIMS ANY RESPONSIBILITY FOR LOSS OF USER TIME OF THE AMERICAN SANDERS MACHINE OR ANY OTHER INCIDENTAL OR CONSEQUENTIAL DAMAGES. THIS INCLUDES, BUT NOT LIMITED TO INDIRECT, SPECIAL OR CONSEQUENTIAL DAMAGES ARISING OUT OF OR IN CONNECTION WITH THE FURNISHING, PERFORMANCE, USE OF OR INABILITY TO USE THE MACHINE. ANY EXTENSIONS OF OR MODIFICATIONS MADE TO THIS WARRANTY BY A DEALER/DISTRIBUTOR OF AMERICAN SANDERS ARE THE SOLE RESPONSIBILITY OF THE DEALER/DISTRIBUTOR.

American Sanders reserves the right to change its warranty policy without notice.

Copyright 2022 American Sanders

Garantía limitada

OBS-1B/OBS-1BDC

PARA CALIFICAR PARA ESTA GARANTÍA

- (1) El equipo debe registrarse dentro de los 30 días a partir de la fecha de compra en un formulario proporcionado por American Sanders. Su distribuidor American Sanders es responsable del registro de su equipo. Copie con su distribuidor brindando la información necesaria en la tarjeta.
- (2) El equipo debe haberse comprado en American Sanders o con un distribuidor autorizado de American Sanders.
- (3) Esta garantía se extiende al computador original solamente y no se puede transferir a otros propietarios.

PERÍODOS DE TIEMPO

GARANTÍA DE UN (1) AÑO: Para el OBS-1B.

Garantizado por estar libres de defectos en material y mano de obra por un período de un (1) año a partir de la fecha de compra por parte de los propietarios originales. (Consulte Exclusiones)

EXCLUSIONES (No cubiertas por la garantía)

- (1) Artículos desmontables y piezas que fallan debido al desgaste normal por sus características (cables, almohadillas, base de sujeción, ruedas, abridores, filtros, botas u otras piezas consumibles).
- (2) Esta garantía no se extiende a partes afectadas por mal uso, negligencia, abuso, accidentes, daños en tránsito, sobrecarga de la capacidad de la máquina, fallas debido a la falta de mantenimiento o cuidado apropiados como se describe en las instrucciones de operación y mantenimiento. Todas las partes defectuosas se deben devolver al distribuidor para recibir un crédito.
- (3) Los ajustes menores, como el ajuste de tornillos o pernos no conectados con el reemplazo de piezas, no están cubiertos.
- (4) Las reparaciones o modificaciones realizadas por una organización que no sea la fábrica o un Centro de Servicio Autorizado no están cubiertas y anularán cualquier garantía de American Sanders en cuanto a las piezas o sistemas reparados o modificados por una organización no autorizada.

LA OBLIGACIÓN DE AMERICAN SANDERS

- (1) La obligación de American Sanders bajo esta garantía se limita a la reparación o reemplazo, a su elección, de cualquier parte que se comprate libre de defectos de material o mano de obra durante el uso normal por el período aplicable antes mencionado.
- (2) El distribuidor de American Sanders realizará las reparaciones de garantía sin cargo por piezas y mano de obra. Ellos recibirán una compensación con una tarifa de mano de obra de garantía de \$75.00 por hora, por el primer año de propiedad.
- (3) Las partes reparadas o reemplazadas bajo esta garantía están cubiertas por la garantía solo durante el resto del período de la garantía original. Todas las partes defectuosas reemplazadas bajo estas garantías se consideran en propiedad de American Sanders.

SERVICIOS DE GARANTÍA

Para obtener servicio de garantía, llame su equipo y prueba de compra a cualquier distribuidor autorizado de American Sanders. American Sanders no reembolsará los gastos por las llamadas o viajes para el servicio. Para el Distribuidor en su área, llame al Departamento de Servicio al Cliente de American Sanders al 800-367-3550 o al 336-372-8000. Si no está satisfecho con el servicio que recibe, llame o escriba al Departamento de Servicio al Cliente de American Sanders para recibir más ayuda.

INSTRUCCIONES Y CONDICIONES PARA EL REEMBOLSO DE GARANTÍA

- Pida la pieza de reemplazo. Los pedidos se procesarán y cobrán, como un procedimiento normal.
- Llame a American Sanders para obtener el número de RFA.
- Necesitará el número de serie del equipo y el número de modelo del equipo.
- Las piezas se deben desolver, acompañadas con el número de RFA para ser elegible para el crédito por la garantía.
- Todas las piezas de garantía se deben enviar prepagadas por servicio terrestre de UPS, cualquier otro método será a cargo del beneficiario.
- El Comprador debe pagar el flete para cualquier pieza de la garantía después de 30 días.
- La tarifa de mano de obra de la garantía es de \$75.00 por hora.
- El crédito se emitirá al completar los pasos anteriores, en las tarifas anteriores.

El transporte de desechos peligrosos o equipos contaminados está sujeto a varias leyes y regulaciones. Al devolver equipo, piezas o accesorios según esta garantía limitada, el usuario final debe certificar por escrito que el equipo, piezas o accesorios que se devuelven no se han utilizado para la manipulación, limpieza o eliminación de residuos peligrosos o materiales peligrosos, incluyendo pero no limitado a cosas tales como asbestos, amianto, etc. o si el equipo, piezas o accesorios que se devuelven han sido utilizados para la manipulación, limpieza o eliminación de residuos peligrosos o materiales peligrosos, entonces el usuario final debe solicitar a profesionales de descontaminación autorizados y calificados que descontaminen el equipo, piezas o accesorios y que proporcionar una certificación por escrito de esta descontaminación firmada por los profesionales de la descontaminación. Estos equipos, piezas o accesorios deben devolverse solo al Centro de Servicio American Sanders de la localidad para obtener el servicio de garantía junto con la certificación de descontaminación.

DESCARGO DE RESPONSABILIDAD DE DAÑOS Y PERJUICIOS

NO HAY GARANTÍAS QUE SE EXTIENDAN MÁS ALLÁ DE LA DESCRIPCIÓN DE LAS GARANTÍAS LIMITADAS INDICADAS. NINGUNA OTRA GARANTÍA, EXPRESA O IMPLÍCITA, INCLUYENDO PERO NO LIMITADO A CUALQUIER GARANTÍA IMPLÍCITA DE COMERCIALIZACIÓN O IDONEIDAD PARA UN PROPÓSITO EN PARTICULAR, SE HACE EXCEPTO COMO SE INDICA EXPRESAMENTE AQUÍ. CUALQUIER GARANTÍA LEGAL IMPLÍCITA, INCLUIDA CUALQUIER GARANTÍA DE COMERCIALIZACIÓN O IDONEIDAD PARA UN PROPÓSITO EN PARTICULAR, QUE SEA IMPLICITA POR LA LEY A PESAR DE LA LIMITACIÓN EXPRESA O LAS GARANTÍAS ANTERIORES, ESTÁ EXPRESAMENTE LIMITADA A LA DURACIÓN DE LA GARANTÍA ESCRITA. EL COMPRADOR ENTIENDE, RECONOCE Y ACEPTA QUE LOS RECURSOS PROMISOS BAJO ESTA GARANTÍA LIMITADA SON LOS ÚNICOS Y EXCLUSIVOS RECURSOS DISPONIBLES PARA EL COMPRADOR. AMERICAN SANDERS SE LIBERA DE TODA RESPONSABILIDAD POR LA PÉRDIDA DE TIEMPO DEL USUARIO DEL EQUIPO AMERICAN SANDERS O CUALQUIER OTRO DAÑO INCIDENTAL O CONSECUENCIAL. ESTO INCLUYE, PERO NO ESTÁ LIMITADO A DAÑOS INDIRECTOS, ESPECIALES O CONSECUENCIALES DERIVADOS DE O RELACIONADOS CON EL SUMINISTRO, EL FUNCIONAMIENTO, EL USO O LA INCAPACIDAD DE USAR EL EQUIPO. CUALQUIER EXTENSIÓN O MODIFICACIÓN HECHA A ESTA GARANTÍA POR UN CONCESIONARIO DISTRIBUIDOR DE AMERICAN SANDERS SON RESPONSABILIDAD EXCLUSIVA DEL CONCESIONARIO DISTRIBUIDOR.

American Sanders se reserva el derecho de cambiar su política de garantía sin previo aviso.

Copyright 2022 American Sanders

Garantie limitée

OBS-18/OBS-18DC

POUR ÊTRE ADMISSEBLE À LA PRÉSENTE GARANTIE

- (1) L'appareil doit être installé dans les 30 jours suivant la date d'achat à l'aide de la fiche fournie par American Sanders. L'enregistrement de votre appareil s'effectue auprès de votre distributeur American Sanders. Veuillez lui fournir tous les renseignements exigés sur la fiche.
- (2) L'appareil doit avoir été acheté auprès d'American Sanders ou d'un distributeur American Sanders autorisé.
- (3) La présente garantie n'est offerte qu'à l'acheteur initial et n'est pas transférable aux propriétaires ultérieurs.

PÉRIODES

GARANTIE D'UN (1) AN — Pour le modèle OBS-18.

Garant contre tout défaut de matériaux et de main-d'œuvre pour une période d'un (1) an à compter de la date d'achat par le propriétaire initial. (Se reporter aux exclusions.)

EXCLUSIONS (Non couvert par la garantie)

- (1) Les produits et pièces consommables qui font défaut par suite d'une usure normale en raison de leurs caractéristiques (câbles, pales, surfaces agrippantes, scotch, sectionneurs, filtres, sacs ou autres pièces consommables).
- (2) Cette garantie ne couvre pas les pièces brisées par suite d'abus, de négligence, d'accidents, de choc lors du transport, d'une surcharge de la capacité de l'appareil, d'une débalance due au manque d'entretien ou de soins adéquats tels qu'ils sont décrits dans les instructions d'utilisation et d'entretien. Vous devez retourner les pièces détachées au distributeur pour vous les faire créditer.
- (3) Les ajustements mineurs, tels que le serrage de vis ou de boutons sans lien avec le remplacement de pièces, ne sont pas couverts.
- (4) Les réparations ou modifications réalisées par toute organisation autre que l'usine ou un centre de service autorisé ne sont pas couvertes et annulent la garantie American Sanders en ce qui concerne les pièces ou systèmes réparés ou modifiés par une organisation non autorisée.

LES OBLIGATIONS D'AMERICAN SANDERS

- (1) Les obligations d'American Sanders en vertu de cette garantie se limitent à la réparation ou au remplacement, à sa discrétion, de toute pièce présentant un défaut autre que matériaux ou de main-d'œuvre dans le cadre d'une utilisation normale pour la période applicable énoncée plus haut.
- (2) Les réparations sous garantie seront effectuées par votre distributeur American Sanders sans frais pour les pièces et la main-d'œuvre. Ce dernier sera rémunéré au taux de main-d'œuvre de 75,00 \$/h pour la première année de possession.
- (3) Les pièces réparées ou remplacées en vertu de cette garantie sont garanties seulement durant la période restante de la période de garantie originale. Toutes les pièces détachées remplacées en vertu de ces garanties demeurent la propriété d'American Sanders.

SERVICE SOUS GARANTIE

Pour obtenir du service sous garantie, appelez votre appareil et une preuve d'achat chez un distributeur American Sanders autorisé. American Sanders ne rembourse pas de frais engagés en lien avec des appels de service ou des déplacements. Pour connaître le distributeur de votre région, communiquez avec le service à la clientèle d'American Sanders au 800 367-3550 ou au 336 372-8080. Si vous n'êtes pas satisfait du service reçu, communiquez avec le service à la clientèle d'American Sanders pour obtenir de l'aide.

INSTRUCTIONS ET CONDITIONS POUR L'OBTENTION D'UN REMBOURSEMENT SOUS GARANTIE

- Commande de pièce de rechange : Les commandes sont traitées et facturées comme toute procédure normale.
- Communiquez avec American Sanders pour obtenir un numéro d'autorisation de renouvel.
- Il vous faudra le numéro de série et le numéro de modèle de l'appareil.
- Vous devez joindre le numéro d'autorisation de renouvel aux pièces renvoyées pour être admissibles au crédit en vertu de la garantie.
- Toutes les pièces sous garantie sont expédiées UPS Ground payé; tout autre moyen d'expédition est au frais du destinataire.
- Le transport de toute pièce sous garantie après 30 jours doit être payé par l'acheteur.
- Le taux de main-d'œuvre sous garantie est de 75,00 \$/h.
- Le crédit est émis une fois toutes les étapes précédentes terminées, aux frais prélevés.

Le transport de déchets dangereux ou d'équipements contaminés est soumis à différentes lois et réglementations. Au moment de retourner des appareils, des pièces ou des accessoires en vertu de cette garantie limitée, l'utilisateur final doit s'assurer par écrit que les appareils, pièces ou accessoires retournés n'ont pas été utilisés pour la manipulation, le nettoyage ou l'entretien de déchets dangereux ou de matières dangereuses, y compris, mais sans s'y limiter, armes, avions, etc. ou, si les appareils, pièces ou accessoires retournés ont été utilisés pour la manipulation, le nettoyage ou l'entretien de déchets dangereux ou de matières dangereuses, alors l'utilisateur final doit faire déscontaminer les appareils, pièces ou accessoires par un professionnel de la déscontamination qualifié et agréé et fournir une attestation écrite de cette déscontamination signée par le professionnel de la déscontamination. Ces appareils, pièces ou accessoires ne doivent être retournés qu'au centre de service American Sanders local pour un service sous garantie et être accompagnés de l'attestation de déscontamination.

CLAUSE DE NON-RESPONSABILITÉ

AUCUNE GARANTIE N'EST CONSENTIE AU-DELÀ DE LA DESCRIPTION DES PRÉSENTES GARANTIES LIMITÉES. AUCUNE AUTRE GARANTIE, EXPRIMÉE OU IMPLICITE, Y COMPRIS, MAIS SANS S'Y LIMITER, TOUTE GARANTIE IMPLICITE DE QUALITÉ MARCHANDE OU D'ADAPTATION À UN EMPLOI PARTICULIER, N'EST ENTEHDUE CELLES INDICÉES AUX PRÉSENTES. TOUTE GARANTIE LÉGALE IMPLICITE, Y COMPRIS TOUTE GARANTIE DE QUALITÉ MARCHANDE OU D'ADAPTATION À UN EMPLOI PARTICULIER, QUI EST IMPOSÉE PAR LA LOI MALGRÉ LES LIMITES OU GARANTIES EXPRIMÉES PRÉCÉDENTES, EST EXPRESSÉMENT LIMITÉE À LA DURÉE DE LA GARANTIE ÉCRITE. L'ACHETEUR COMPREND, RECONNAÎT ET CONVIENT QUE LE RECOURS PRÉVU EN VERTU DE CETTE GARANTIE LIMITÉE CONSTITUE LE SEUL ET UNIQUE RECOURS À SA DISPOSITION. AMERICAN SANDERS SE DÉGAGE DE TOUTE RESPONSABILITÉ À L'ÉGARD DU TEMPS D'UTILISATION DE L'APPAREIL AMERICAN SANDERS PERDU ET DE TOUT AUTRE DOMMAGE ACCESSOIRE OU CONSÉCUTIF. CELA COMPREND, MAIS SANS S'Y LIMITER, LES DOMMAGES INDIRECTS, PARTICULIERS OU CONSÉCUTIFS DÉCOULANT DIRECTEMENT OU INDIRECTEMENT DE LA PRESTATION, DE LA PERFORMANCE, DE L'UTILISATION DE L'APPAREIL OU DE L'IMPOSSIBILITÉ DE L'UTILISER. TOUTE PROLONGATION OU MODIFICATION DE CETTE GARANTIE EFFECTUÉE PAR UN CONCESSIONNAIRE OU UN DISTRIBUTEUR D'AMERICAN SANDERS RELÈVE ENTièrement DU CONCESSIONNAIRE OU DU DISTRIBUTEUR.

American Sanders se réserve le droit de changer sa politique de garantie sans préavis.

Copyright 2022 American Sanders

Beperkte garantie

OBS-18 / OBS-18DC

VOORWAARDEN VOOR DEZE GARANTIE

- (1) De machine moet binnen 30 dagen na aankoop zijn geregistreerd op een formulier van American Sanders. Uw distributeur van American Sanders is verantwoordelijk voor de registratie van uw machine. Geef de benodigde informatie op aan uw distributeur om de garantietaal in te vullen.
- (2) De machine moet zijn aangeschaft bij American Sanders of een erkende distributeur van American Sanders.
- (3) Deze garantie geldt alleen voor de oorspronkelijke koper en is niet overdraagbaar aan volgende eigenaren.

GELDIGHEIDSDUUR

ÉÉN (1) JAAR GARANTIE - Voor de OBS-18.

Gegarandeerd om vrij te zijn van defecten in materialen en vakmanschap voor een periode van één (1) jaar vanaf de datum van aankoop door de oorspronkelijke eigenaar. (Zie Uitsluitingen.)

UITSLUITINGEN (Niet gedekt door garantie)

- (1) Vervangbare slijtende artikelen en onderdelen die kapotgaan door normale slijtage als gevolg van hun eigenschappen (snoeren, pads, grepen, wielen, insulators, filters, zakken en andere verbruiksartikelen).
- (2) Deze garantie strekt zich niet uit tot schade aan onderdelen wegens verkeerd gebruik, nalatigheid, misbruik, ongelukken, transportschade, overbelasting en gebrek aan onderhoud of zorg zoals beschreven in de instructies voor bediening en onderhoud. Alle defecte onderdelen moeten bij de distributeur worden ingeleverd om vergoeding te ontvangen.
- (3) Kleine afstellingen, zoals het vastdraaien van schroeven of bouten die geen verband houden met het vervangen van onderdelen, worden niet gedekt.
- (4) Reparaties of wijzigingen door een andere organisatie dan de fabrikant of een Authorized Service Center worden niet gedekt en maken elke garantie van American Sanders op de door een niet-erkende organisatie gerepareerde of gewijzigde onderdelen of systemen nietig.

DE VERPLICHTING VAN AMERICAN SANDERS

- (1) De verplichting van American Sanders onder deze garantie blijft beperkt tot het repareren of vervangen, naar eigen keuze, van enig onderdeel waarvan is aangetoond dat het defecten in materiaal of vakmanschap vertoont bij normaal gebruik gedurende de hierboven vermelde periode.
- (2) Reparaties die onder garantie vallen zullen door uw American Sanders-distributeur worden uitgevoerd, zonder kosten voor onderdelen en arbeid. Ze worden vergoed met een tarief voor arbeidskosten van USD 75,00 per uur, voor het eerste jaar van eigendom.
- (3) Onderdelen die onder deze garantie zijn gerepareerd of vervangen, worden alleen gegarandeerd tijdens het resterende deel van de oorspronkelijke garantieperiode. Alle defecte onderdelen die onder deze garantie worden vervangen, worden eigendom van American Sanders.

GARANTIESERVICE

Voor garanteservice brengt u uw machine en aankoopbewijs naar een erkende distributeur van American Sanders. American Sanders vergoedt geen reiskosten of servicebezoeken. Bel de klantenservice van American Sanders op 800-367-3550 of 336-372-8080 om de distributeur in uw omgeving te vinden. Als u ontevreden bent met de service die u ontvangt, kunt u de klantenservice van American Sanders bellen of schrijven voor ondersteuning.

INSTRUCTIES EN VOORWAARDEN VOOR TOEKENNING VAN GARANTIE

- Vervangend onderdeel bestellen: Bestellingen worden verwerkt en in rekening gebracht volgens de normale procedure.
- Bel American Sanders voor het retourautorisatienummer.
- Daarvoor moet u het serie- en modelnummer van de machine opgeven.
- Onderdelen moeten worden geretourneerd met een retourautorisatienummer om in aanmerking te komen voor een garantievergoeding.
- Alle garantie-onderdelen worden verzonden via UPS Ground. Andere methoden komen voor rekening van de ontvanger.
- Na 30 dagen moeten verzendkosten voor garantieonderdelen worden betaald door de koper.
- Uurtarief voor arbeidskosten garantie is USD 75,00.
- Vergoeding wordt toegekend na voltooiing van de bovengenoemde stappen, volgens de bovengenoemde tarieven.

Het vervoer van gevaarlijke stoffen of verontreinigde apparatuur is onderworpen aan verschillende wetten en regels. Bij het retourneren van machines, onderdelen of toebehoren onder deze beperkte garantie moet de eindgebruiker schriftelijk verklaren dat de geretourneerde machines, onderdelen of toebehoren niet zijn gebruikt voor het verwerken, opruimen of afvoeren van chemisch afval of gevaarlijke stoffen, inclusief maar niet beperkt tot stoffen zoals asbest en miltnuur. Of als de geretourneerde machines, onderdelen of toebehoren zijn gebruikt voor het verwerken, opruimen of afvoeren van chemisch afval of gevaarlijke stoffen, dan moet de eindgebruiker de machines, onderdelen of toebehoren laten ontsmetten door erkende en gekwalificeerde ontsmettingsprofessionals, met schriftelijke certificering van het ontsmetten, ondertekend door deze professionals. Deze machines, onderdelen of toebehoren kunnen alleen worden geretourneerd naar uw plaatselijk American Sanders Service Center voor garanteservice, met certificering van de ontsmetting erbij.

VRIJWARING VAN GEVOLGSCHADE

ER ZIJN GEEN GARANTIES DIE VERDER GAAN DAN DE BESCHRIJVING VAN BEPERKTE GARANTIE IN DIT DOCUMENT. ER WORDT GEEN ANDERE GARANTIE, EXPLICIET OF IMPLICIET, GEGEVEN ANDERS DAN UITDRUKKELIJK IN DIT DOCUMENT BEPAALD, INCLUSIEF MAAR NIET BEPERKT TOT GARANTIES VAN VERKOOPBAARHEID EN GESCHIKTHEID VOOR EEN BEPAALD DOEL. ELKE WETTELIJK BEPAALDE IMPLICIETE GARANTIE, INCLUSIEF ELKE GARANTIE VAN VERKOOPBAARHEID EN GESCHIKTHEID VOOR EEN BEPAALD DOEL, DIE BIJ WET WORDT OPGELEGD IN TEGENSpraak MET DE BOVENSTAANDE UITDRUKKELIJKE BEPERKING VAN GARANTIES, ZAL UITDRUKKELIJK BEPERKT ZIJN TOT DE DUUR VAN DEZE GESCHREVEN GARANTIE. DE KOPER BEGRIJPT, BEVESTIGT EN GAAT ERMEE AKKOORD DAT DE ONDER DEZE GARANTIE AANGEBODEN GENOEGDOENING DE ENIGE EN EXCLUSIEVE GENOEGDOENING VOOR DE KOPER VORMT. AMERICAN SANDERS WIJST IEDERE AANSPRAKELIJKHEID VAN DE HAND VOOR VERLIES VAN GEBRUIKSTIJD VAN DE AMERICAN SANDERS MACHINE OF ENIGE ANDERE INCIDENTELE SCHADE OF GEVOLGSCHADE. DIT IS INCLUSIEF MAAR NIET BEPERKT TOT BIJZONDERE SCHADE OF GEVOLGSCHADE ALS GEVOLG VAN OF IN VERBAND MET DE TOEBEHOREN, DE WERKING EN HET GEBRUIK VAN DE MACHINE OF HET NIET KUNNEN GEBRUIKEN VAN DE MACHINE. ALLE UITBREIDINGEN OF WIJZIGINGEN DIE IN DEZE GARANTIE WORDEN AANGEBRACHT DOOR EEN DEALER/DISTRIBUTEUR VAN AMERICAN SANDERS ZIJN DE EXCLUSIEVE VERANTWOORDELIJKHEID VAN DE DEALER/DISTRIBUTEUR.

American Sanders behoudt zich het recht voor om haar garantiebeleid zonder kennisgeving te wijzigen.

Copyright 2022 American Sanders



American Sanders

an AMANO Company

1 Eclipse Rd ● PO Box 909
Sparta, North Carolina 28675 ● USA
www.pioneereclipse.com
www.americansanders.com

+1-336-372-8080
1-800-367-3550
Fax 1-336-372-2913