

1600DC Sander

Operator's Manual

READ THIS BOOK

This book has important information for the use and safe operation of this machine. Failure to read this book prior to operating or attempting any service or maintenance procedure to your American Sanders machine could result in injury to you or to other personnel; damage to the machine or to other property could occur as well. You must have training in the operation of this machine before using it. If your operator(s) cannot read this manual, have it explained fully before attempting to operate this machine.

All directions given in this book are as seen from the operator's position at the rear of the machine.

EN

Contents

Operator Safety Instructions	3-5
Machine Introduction	6
120V Electrical Connection Instructions	7
Machine Set-up.....	8-10
Operating Instructions	11
Maintenance.....	12

SECTION II - Parts and Service Manual

Notes.....	33
Main Assembly.....	34-35
Base Assembly.....	36-37
Handle Assembly.....	38-39
Lamp Assembly.....	40
Gearbox Assembly.....	41
Wiring Diagrams.....	43
Warranty.....	44

WARNING!

The Products sold with this Manual contain or may contain chemicals that are known to certain governments (such as the State of California, as identified in its Proposition 65 Regulatory Warning Law) to cause cancer, birth defects or other reproductive harm. In certain locations (including the State of California) purchasers of these Products that place them in service at an employment job site or a publicly accessible space are required by regulation to make certain notices, warnings or disclosures regarding the chemicals that are or may be contained in the Products at or about such work sites. It is the purchaser's responsibility to know the content of, and to comply with, any laws and regulations relating to the use of these Products in such environments. The Manufacturer disclaims any responsibility to advise purchasers of any specific requirements that may be applicable to the use of the Products in such environments.

*****This product is intended for commercial use only*****

Operator Safety Instructions

In this Operation Manual you will find three statements that you must read and observe to ensure safe operation of this machine.

DANGER means: Severe bodily injury or death can occur to you or other personnel if the **DANGER** statements found on this machine or in this Operation Manual are ignored or are not adhered to. Read and observe all **DANGER** statements found in this Operation Manual and on your machine.

WARNING means: Injury can occur to you or to other personnel if the **WARNING** statements found on your machine or in the Operation Manual are ignored or are not adhered to. Read and observe all **WARNING** statements found in this Operation Manual and on your machine.

CAUTION means: Damage can occur to the machine or to other property if the **CAUTION** statements found on your machine or in this Operation Manual are ignored or are not adhered to. Read and observe all **CAUTION** statements found in this Operation Manual and on your machine.

**DANGER:**

Failure to read the Owner's Manual prior to operating or servicing your American Sanders machine could result in injury to you or to other personnel; damage to the machine or to other property could occur as well. You must have training in the operation of this machine before using it. If you or your operator(s) cannot read English, have this manual explained fully before attempting to operate this machine.

**DANGER:**

A. Sanding/finishing wood floors can create an explosive or combustible environment. Do not operate this machine around solvents, thinners, alcohol, fuels, floor finishes, wood dust or any other flammable materials. Cigarette lighters, pilot lights, electrical sparks and all other sources of ignition should be extinguished or avoided. Keep work area well ventilated.

B. Dust generated from sanding wood floors can spontaneously ignite or explode. Promptly dispose of any sanding dust in a metal container clear of any combustibles. Do not dispose in a fire.

**DANGER:**

A. Electrocutation could occur if the machine is being serviced while the machine is connected to a power source. Disconnect the power supply before servicing.

B. Electrocutation or fire could occur if the machine is being operated with a damaged power cord. Keep the power cord clear of the pad. Always lift the cord over the machine. Do not move the machine by the power cord.

C. Shock hazard. Do not use the machine if it has been rained on or sprayed with water.

**DANGER:**

To avoid injury keep hands, feet, and loose clothing away from all moving parts on the machine. Disconnect the power cord before replacing the pad, changing the abrasive, or when servicing. Do not operate the machine unless all guards are in place. Never leave the machine unattended while connected to a power source.

DANGER:

Machine can have high starting torque. Do not operate machine on rough or uneven surfaces. Do not operate on a slope. It is possible for the machine to move suddenly from side to side and even leave the ground if misused during operation. Only experienced operators should use machine for applications that impart high torque on the machine. If unable to control the machine during operation, release the handle and step away from the machine. It will stop automatically.

**WARNING:**

Injury can occur if protective clothing or equipment is not used while sanding. Always wear safety goggles, protective clothing, and dust mask while sanding.

**WARNING:**

This sander is not to be used on pressure treated wood. Some pressure treated woods contain arsenic and sanding pressure treated wood produces hazardous dust. Inhaling hazardous dust from pressure treated wood can cause serious injury or death. Sanding pressure treated wood decks or uneven surfaces can damage the sander which is not covered under warranty or damage waiver.

**WARNING:**

Any alterations or modifications of this machine could result in damage to the machine or injury to the operator or other bystanders. Alterations or modifications not authorized by the manufacturer voids any and all warranties and liabilities.

**WARNING:**

Risk of explosion. Floor sanding can result in an explosive mixture of fine dust and air. Use floor sanding machine only in a well-ventilated area free from any flame or match.

General Power Tool Safety Warnings

WARNING: Read all safety warnings and instructions. Failure to follow warnings and instructions may result in electric shock, fire and or serious injury.

Save all warnings and instructions for future use.

The term "power tool" in the warnings refers to your main-operated (corded) power tool or battery operated (cordless) power tool.

1) Work area safety

- Keep work area clean and well lit.** Clutter or dark areas invite accidents.
- Do not operate power tools in explosive atmospheres, such as in the presence of flammable liquids, gases, or dust.** Power tools create sparks which may ignite the dust or fumes.
- Keep children and bystanders away while operating a power tool.** Distractions can cause you to lose control.

2) Electrical safety

- Power tool plugs must match the outlet. Never modify the plug in any way. Do not use any adapter plugs with earthed (grounded) power tools.** Unmodified plugs and matching outlets will reduce risk of electric shock.
- Avoid body contact with earthed or grounded surfaces such as pipes, radiators, ranges, and refrigerators.** There is an increased risk of electric shock if your body is earthed or grounded.

- c) **Do not expose power tools to rain or wet conditions.** Water entering a power tool will increase the risk of electric shock.
- d) **Do not abuse the cord. Never use the cord for carrying, pulling or unplugging the power tool. Keep cord away from heat, oil, sharp edges or moving parts.** Damaged or entangled cords increase the risk of electric shock.
- e) **When operating a power tool outdoors, use an extension cord suitable for outdoor use.** Use of cord suitable for outdoor use reduces the risk of electric shock.
- f) **If operating a power tool in a damp location is unavoidable, use a residual current device (RCD) or ground fault circuit interrupter (GFCI) protected supply.** Use of a RCD or GFCI reduces the risk of electric shock.

3) Personal safety

- a) **Stay alert, watch what you are doing and use common sense when operating a power tool. Do not use a power tool while you are tired or under the influence of drugs, alcohol, or medication.** A moment of inattention while operating power tools may result in serious personal injury.
- b) **Use personal protective equipment. Always wear eye protection.** Protective equipment such as dust mask, non-skid safety shoes, hard hat, or hearing protection used for appropriate conditions will reduce personal injury.
- c) **Prevent unintentional starting. Ensure switch is in off-position before connecting to power source and/or battery pack, picking up, or carrying the tool.** Carrying power tools with your finger on the switch or energizing power tools that have the switch on invites accidents.
- d) **Remove any adjustment wrench or key before turning the power tool on.** A wrench or key left attached to a rotating part of the power tool may result in personal injury.
- e) **Do not overreach. Keep proper footing and balance at all times.** This enables better control of the power tool in unexpected situations.
- f) **Dress properly. Do not wear loose clothing or jewelry. Keep your hair, clothing and gloves away from moving parts.** Loose clothes, jewelry, or long hair can be caught in moving parts.
- g) **If devices are provided for the connection of dust extraction and collection facilities, ensure these are connected and properly used.** Use of dust collection can reduce dust related hazards. It is recommendation that the tool always be supplied via a residual current device with a rated residual current of 30mA or less.

4) Power tool use and care

- a) **Do not force the power tool. Use the correct power tool for your application.** The correct power tool will do the job better and safer at the rate for which it was designed.
- b) **Do not use the power tool if the switch does not turn it on and off.** Any power tool that cannot be controlled with the switch is dangerous and must be repaired.
- c) **Disconnect the plug from the power source and/or the battery pack from the power tool before making any adjustments, changing accessories or storing power tools.** Such preventative safety measures reduce the risk of starting the power tool accidentally.
- d) **Store idle power tools out of the reach of children and do not allow persons unfamiliar with the power tool or these instructions to operate the power tools.** Power tools are dangerous in the hands of untrained users.
- e) **Maintain power tools. Check for misalignment or binding of moving parts, breakage of parts and any other condition that may affect the power tool's operation. If damaged, have the power tool repaired before use.** Many accidents are caused by poorly maintained power tools.
- f) **Keep cutting tools sharp and clean.** Properly maintained cutting tools with sharp cutting edges are less likely to bind and are easier to control.
- g) **Use the power tool, accessories and tool bits ect. in accordance with these instructions, taking into account the working conditions and the work to be performed.** Use of the power tool for operations different from those intended could result in a hazardous situation.

5) Service

- a) **Have the power tool serviced by a qualified repair person using only identical replacement parts.** This will ensure that the safety of the power tool is maintained. If the supply cord is damaged, it must be replaced by the manufacturer, its service agent or similarly qualified persons in order to avoid a hazard.

Safety Warnings For Sanding Operations

1. This power tool is intended to function as a sander. Read all safety warnings, instructions and specifications provided with this power tool. Failure to follow all instructions listed below may result in electric shock, fire, or personal injury.
2. Operations such as grinding, wire brushing, polishing or cutting-off, are not recommended to be performed with this power tool. Operations for which the tool was not designed may create a hazard and cause personal injury.
3. Do not use accessories which are not specifically designed and recommended by the tool manufacturer. Just because the accessory can be attached to your power tool, it does not assure safe operation.
4. The rated speed of the accessory must be at least equal to the maximum speed marked on the power tool. Accessories running faster than their rated speed can break and fly apart.
5. The outside diameter and thickness of your accessory must be within the capacity rating of your power tool. Incorrectly sized accessories cannot be adequately guard or controlled.
6. The arbor size of wheels, flanges, backing pads or any other accessory must fit the spindle of the power tool. Accessories with arbor holes that do not match the mounting hardware of the power tool will run out of balance, vibrate excessively and may cause loss of control.
7. Do not use damaged accessory. Before each use inspect the accessory such as abrasive wheel for chips or cracks, backing

- pad for cracks, tear or excess wear, wire brush for loose or cracked wires. If power tool or accessory is dropped, inspect for damage or install an undamaged accessory. After inspecting or installing an accessory, position yourself or bystanders away from the plane of the rotating accessory and run the power tool at maximum no-load speed for one minute. Damaged
8. Wear personal protective equipment. Depending on application, use face shield, safety goggles or safety glasses. As appropriate, wear dust mask, hearing protectors, gloves and workshop apron capable of stopping flying debris generated by various operations. The eye protection must be capable of stopping flying debris generated by various operations. The dust mask or respirator must be capable of filtering particles generated by your operations. Prolonged exposure to high intensity noise may cause hearing loss.
 9. Keep bystanders a safe distance away from work area. Anyone entering the work area must wear personal protective equipment. Fragments of work piece or a broken accessory may fly away and cause injury beyond immediate area of operation.
 10. Hold power tool by gripping insulated surfaces (handle) only, when performing an operation where the cutting accessory may contact hidden wiring or its own cord. Cutting accessory contacting a "live" wire may make exposed metal parts of the power tool "live" and shock the operator.
 11. Position the cord clear of the spinning accessory. If you lose control, the cord may be cut or snagged and your arm or hand may be pulled into the spinning accessory.
 12. Never lay the power tool down until the accessory has come to a complete stop. The spinning accessory may grab the surface and pull the power tool out of your control.
 13. Do not run the power tool while carrying it at your side. Accidental contact with the spinning accessory could snag your clothing, pulling the accessory into your body.
 14. Regularly clean the power tools air vents. The motor's fan will draw the dust inside the housing and excessive accumulation may cause electrical hazards.
 15. Do not operate the power tool near flammable materials. Sparks could ignite these materials.
 16. Do not use excessively oversized sanding disc paper. Follow manufacturer's recommendations when selecting sanding paper. Larger sanding paper extending beyond the sanding pad presents a laceration hazard and may cause snagging, tearing of the disc or kickback.
 17. Risk of explosion. Floor sanding can result in an explosive mixture of fine dust and air. Use floor sanding machine only in a well-ventilated area free from any flame or match.

Kickback and Related Warnings

Kickback is a sudden reaction to a pinched or snagged rotating wheel, backing pad, brush or any other accessory. Pinching or snagging causes rapid stalling of the rotating backing pad which in turn causes uncontrolled power tool to be forced in the opposite direction of the backing pad's rotation at the point of the binding.

For example, if an abrasive wheel is snagged or pinched by the work piece, the edge of the wheel that is entering into the pinch point can dig into the surface of the material causing the wheel to climb out or kick out. The wheel may either jump toward or away from the operator, depending on direction of the wheel's movement at the point of pinching. Abrasive wheels may also break under these conditions.

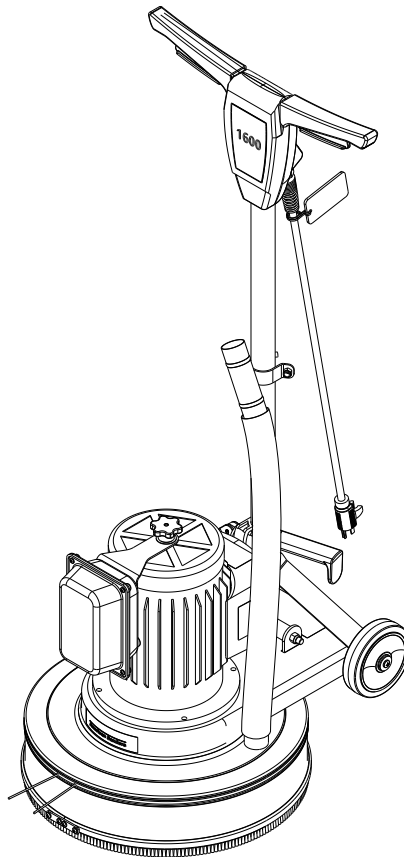
Kickback is the result of power tool misuse and incorrect operating procedures or conditions and can be avoided by taking proper precautions as given below.

1. Maintain a firm grip on the power tool and position your body and arms to allow you to resist kickback forces. Always use auxiliary handles, if provided for maximum control over kickback or torque reactions during start up. The operator can control torque reactions or kickback forces, if proper precautions are taken.
2. Never place your hand near the rotating accessory. Accessory may kickback over your hand.
3. Do not position your body in the area where power tool will move if kickback occurs. Kickback will propel the tool in the direction opposite to the wheel's movement at the point of the snagging.
4. Use special care when working corners, sharp edges etc. Avoid bouncing and snagging the accessory. Corners, sharp edges or bouncing have a tendency to snag the rotating accessory and cause loss of control or kickback.

Additional Rules For Safe Operation

1. Empty the dust bag or dust collection receiver frequently. Do not leave residue in dust bag or dust collection receiver unattended. Always empty in a non-combustible metal container. Sanding wood or varnish produces dust that can self ignite and cause injury or damage. Follow this precaution for storage.
2. Set all exposed nails. Sweep loose abrasive away from work area. Do not strike metal pipes, ect., with sanding paper. Striking metal or abrasive particles with sanding paper produces sparks that could ignite the sanding dust which can cause injury or damage.
3. Do not operate a partially assembled power tool. Keep all adjustments within manufacturer's specifications. Keep all fasteners tight. Operating a partially assembled power tool could result in injury to the operator or bystander and could cause damage to the equipment or surroundings.
4. Do not attempt to change the sanding paper while the power tool is running. The sanding drum can snag clothing and cause injury to limbs, and moving sanding paper can cause abrasions.
5. The power tool should only be used on an electrical system (mains) that is rated for the electrical requirements of the power tool as shown on the nameplate. Use only on an earthing (grounded) system. Do not service the power tool if it is energized or connected to an electrical circuit. Improper use could cause fire or electric shock.

Introduction



The Sander 1600DC

The Sander 1600DC is a floor sanding machine. It can also be used for polishing, spraying, buffing and stripping. The machine can be used on wood, vinyl, terrazzo or cement floors.

Machine Specifications

Model	Sander 1600DC
Code Number	07101B/07101C/07101D
Voltage (Volts)	120
Frequency (Hz)	60
Current (Amps)	14
Power (hp)	1.5
Pad Diameter	16.0
Pad Speed (rpm)	175
Cord Length (feet)	50
Weight (pounds)	121



CAUTION: Your equipment may be inappropriate on some installations. Some softer woods used in flooring cannot support the pressure created by hard wheels. Always consult with the flooring manufacturer on the proper installation, preparation, and finishing of their product. Determine suitability of your equipment in preparing the product.

Electrical Connection Instructions

120 VOLT MACHINES

Instructions for connection to the power supply and the electrical ground.

This product must be grounded. If it should malfunction or breakdown, grounding provides a path of least resistance for electric current to reduce the risk of electrical shock. This product is equipped with a cord having an equipment-grounding conductor and grounding plug. The plug must be inserted into an appropriate outlet that is properly installed and grounded in accordance with all local codes and ordinances.

⚠ WARNING: Improper connection of the equipment-grounding conductor can result in a risk of electric shock. Check with qualified electrician or service person if you are in doubt as to whether the outlet is properly grounded. Do not modify the plug provided with the product - if it will not fit the outlet, have a proper outlet installed by a qualified electrician.

This product is for use on a nominal 120 volt circuit and has a grounding attachment plug that looks like the plug illustrated in Fig. 9. Make sure that the product is connected to an outlet having the same configuration as the plug. No adaptor should be used with this product.

⚠ WARNING: To prevent possible electric shock, protect the machine from rain. Keep the machine in a dry building.

⚠ WARNING: To prevent possible electric shock, always use a 3-wire electrical system connected to the electrical ground. For maximum protection against electrical shock, use a circuit that is protected by a ground fault circuit interrupter. Consult your electrical contractor.

⚠ WARNING: Do not cut, remove or break the ground pin. If the outlet does not fit the plug, consult your electrical contractor.

⚠ WARNING: Have worn, cut or damaged cords replaced by an authorized service person.

EXTENSION CORDS

Use only an approved extension cord with three conductors, a plug with three terminals, and a connector body with three holes. The machine has a power cord with wire size 14 AWG (AWG means American Wire Gauge).

⚠ WARNING: If you use an extension cord, use an extension cord with minimum wire size 12 AWG. Do not use an extension cord longer than 50 feet. Do not join two extension cords.

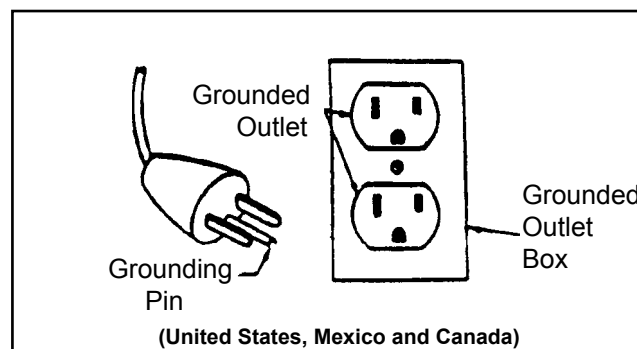


Figure 9

Machine Set-up

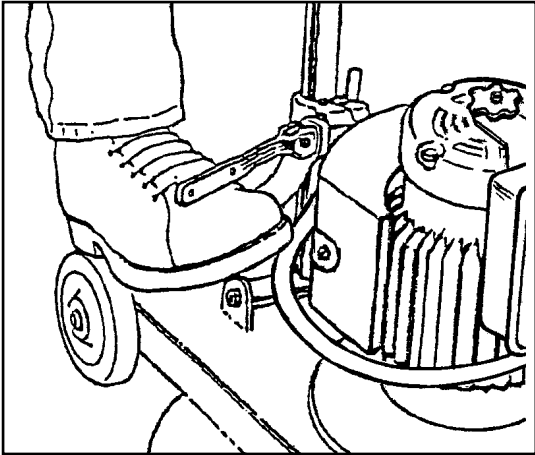


Figure 1

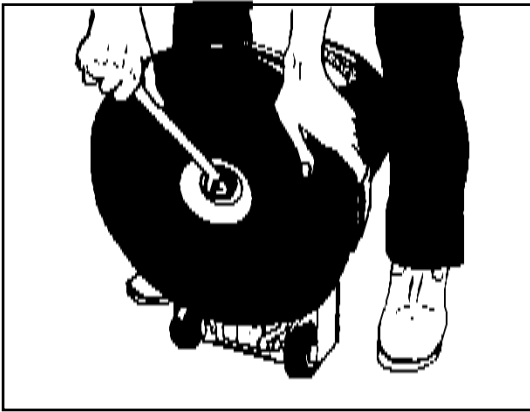


Figure 2



Figure 3

⚠ WARNING: Always remove the electrical plug from the electrical outlet before installing or changing the sandpaper.

How To Install The Sandpaper

To install the sandpaper, follow this procedure:

1. Put the handle in the vertical position.
2. Lock the handle. To lock the handle, push the locking lever down. See figure 1.
3. Tilt the machine backward until the handle is on the floor.
4. Put one foot on each side of the machine.
5. Using a 7/8 wrench, remove the nut and the washer that hold the paper holder. See figure 2.
6. Put the sandpaper on the sanding pad.
7. Put the paper holder in position. See figure 3.
8. Install the washer and the nut that hold the paper holder.

Sanding Cuts and Sandpaper

Initial Cut

The purpose of the initial cut is to remove old finish and gross imperfections on the floor surface. A coarse abrasive should be used.

If glazing, loading, or burning takes place immediately into an initial cut, select a coarser abrasive. If this should occur during an initial cut, the abrasive has dulled and must be replaced.

Final Cuts

The purpose of a finishing cut is to remove the scratches produced during the initial cut. Use a fine (60-80 grit) grain abrasive.

If the surface remains rough after a finishing cut, it may be necessary to use an even finer grain of abrasive (80-100 grit). Care should be taken in selecting the grit size of the abrasive. A very fine grain will close the pores on a wood floor making admission of a stain difficult.

Machine Set-up

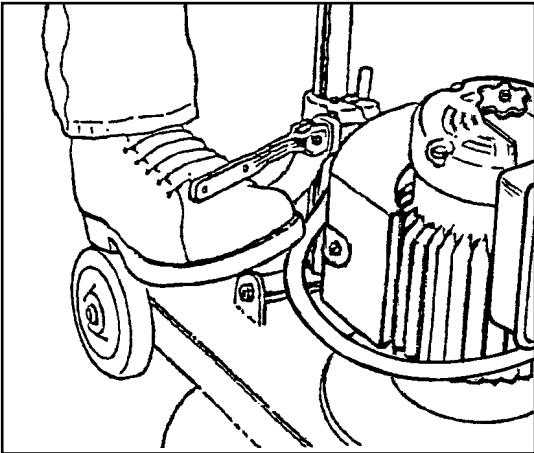


Figure 4

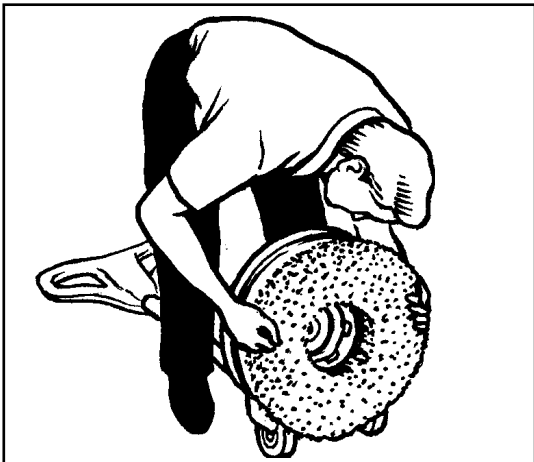


Figure 5

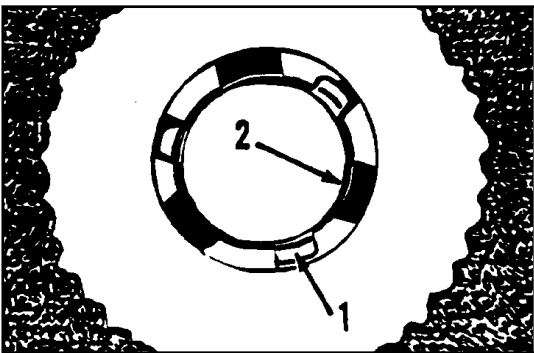


Figure 6

1. The lugs.
2. The drive adapter openings.



WARNING: Always remove the electrical plug from the electrical outlet before installing or changing the pad or brush.

How To Install The Brush Or Pad Driver

To install the brush or pad driver, follow this procedure:

1. Put the handle in the vertical position.
2. To lock the handle, push the locking lever down. See figure 4.
3. Tilt the machine backward until the handle is on the floor. See figure 5.
4. Put one foot on each side of the machine. See figure 5.
5. Align the lugs (1) on the locking plate into the pad driver adapter openings (2). See figure 6.
6. To lock the brush or pad into position, turn the brush or pad driver clockwise.
7. Turn the brush or pad counterclockwise to unlock and remove the brush.
8. Lift the machine to the vertical position.

NOTE: To prevent damage to the brush or pad driver, remove the accessory while not in use. Keep the brush in a cool, dry place.

How To Adjust The Handle

To adjust the handle, follow this procedure:

1. The locking lever is on the lower part of the handle tube. Use your foot to lift the lever. See figure 3.
 2. Lower the handle to the best operating position.
- NOTE:** For the best operating position, keep your back straight, bend only your arms.
3. Using your foot, push the locking lever down.
 4. Hold the handle against your body for the best control.

Machine Set-up

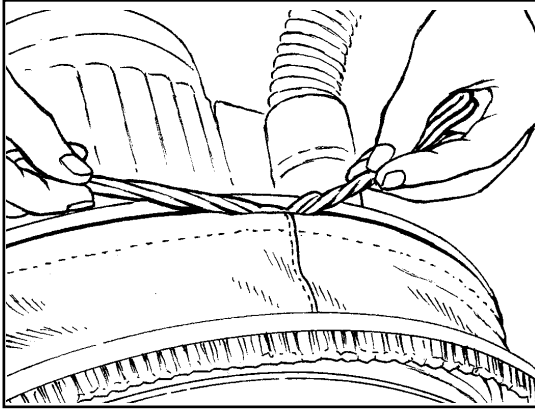


Figure 7

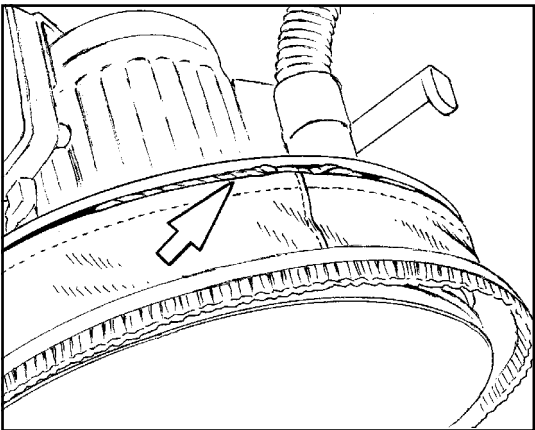


Figure 8

How to Install the Dust Control Skirt

To install the skirt, follow this procedure:

1. Wrap the skirt around the bumper such that the draw string can be inserted into the recess of the bumper. See figure 7.
2. Orient the brush fastening strap at the rear of the machine to prevent scratching surfaces.
3. Tighten and tie the string on the skirt into a bow knot so it can later be untied for removal of the skirt.
4. Twist the ends of the string (see figure 7) and insert them into the recess of the bumper as shown in figure 8.

NOTE: The skirt should be stored flat on the floor either on or off of the machine.

Operating Instructions

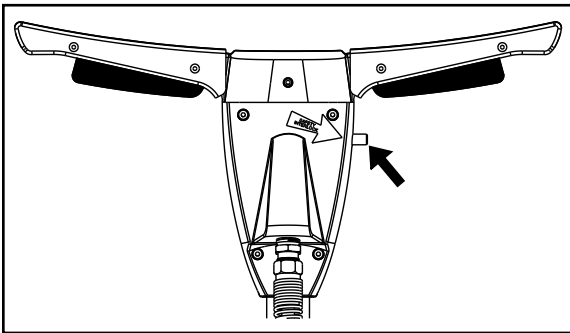


Figure 10



DANGER: Machine can have high starting torque. Do not operate machine on rough or uneven surfaces. Do not operate on a slope. It is possible for the machine to move suddenly from side to side and even leave the ground if misused during operation. Only experienced operators should use machine for applications that impart high torque on the machine. If unable to control the machine during operation, release the handle and step away from the machine. It will stop automatically.



WARNING: Never start machine when the handle is in the vertical position.

The switch to start and stop the machine is activated by the interlock switch (Fig. 10) and the levers (Fig 10A) under the handle grips.

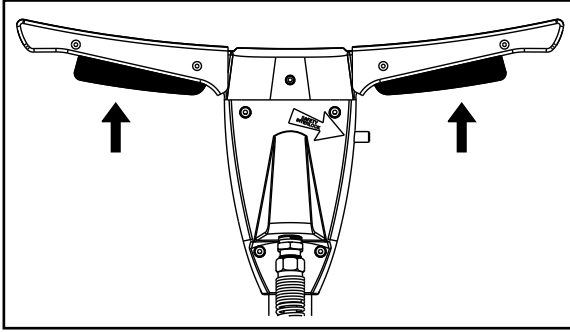


Figure 10A

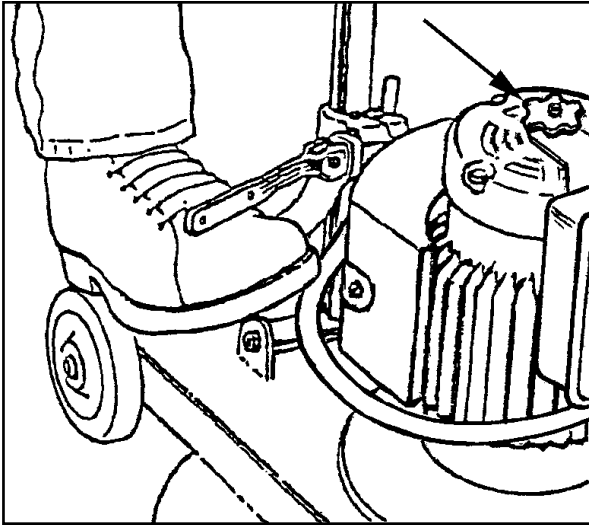


Figure 11

To start the machine, follow this procedure:

1. Lower the handle
2. Lock the handle in the best position for operation.

NOTE: Make sure you hold the handle with both hands.

3. Push the interlock switch (Fig. 10), and apply pressure to the levers (Fig. 10A).

How To Control The Machine

NOTE: Sanding operations create higher torque conditions than normal floor polishing. Make sure you firmly grip the handle with both hands.

The side to side movement of the machine is controlled by raising the handle and pressing down on the handle. To move the machine to the left, press down on the handle slightly. To move the machine to the right, raise the handle slightly.

Inexperienced users should practice operating the machine prior to beginning their project. Practice in a large open area where the floor is smooth, with only a cleaning pad on the machine. The user should practice operating in this manner until they can control the machine consistently.

How To Use The Lamp

To turn the lamp on:

1. Plug the lamp into the machine.
2. Plug the machine into the power source.

To position the lamp:

1. Loosen the knob on the top of the motor (see figure 11) and pivot the lamp to the desired position.
2. Retighten the knob.

To remove the lamp:

3. Unplug the cord at the bottom of the lamp.
4. Loosen and remove the mounting knob (see figure 11) on top of the motor.
5. Remove the lamp and reattach the mounting knob.

Maintenance



WARNING: Maintenance must be done by authorized personnel only.



CAUTION: Keep all adjustments according to specifications.

Maintenance Instructions

Return the machine to a American Sanders Authorized Service Location every 12 months for maintenance inspections.

Switches



WARNING: All electrical repairs must be done by authorized personnel only. The machine must be tested after electrical repairs to make sure it is safe to operate. Disconnect the electrical plug from the electrical outlet before doing any electrical repairs.

The start and stop switch has an interlock which prevents the contacts from being closed. If any part of the switch is not operating, replace the part. If any part of the electrical system of the machine is not operating or is damaged, replace the part. Make sure all connections are tight. Return the machine to the American Sanders Service Branch or a American Sanders Authorized Service Center for electrical repairs or testing.

Maintenance Of The Motor

Induction type motors do not require motor brushes.

If repairs to the gear unit or motor are needed, do not disassemble the gears and motor. Return the machine to the nearest American Sanders Service Branch or American Sanders Authorized Service Center.

For safe operation, and longer life to your American Sanders product, use only American Sanders parts.

NOTE: The grease (503802) for the gear box needs to be changed every year. The Sander 1600 and 1600DC require 8 oz. of grease.

LEA ESTE MANUAL

Este manual contiene información importante acerca del uso y la seguridad de la máquina. Si no lee el manual antes de utilizar su máquina American Sanders o de intentar realizar los procedimientos de reparación o mantenimiento de la misma, usted o el resto del personal podrían sufrir lesiones; asimismo, podrían producirse daños a la máquina o a otras propiedades. Antes de utilizar la máquina, es necesario recibir la capacitación adecuada en la operación de la misma. Si el operador de la máquina no sabe leer en español, explíquele el manual exhaustivamente antes de que intente utilizarla.

Todas las indicaciones incluidas en este manual se ofrecen desde la posición del operador en la parte posterior de la máquina.

INDICE

Instrucciones de seguridad para el operador	14-15
Presentación de la máquina	16
Instrucciones para la conexión con la red 120 V	17
Preparación de la máquina para trabajar	18-20
Cómo instalar el papel abrasivo	18
Fases de pulimentado y tipo de papel abrasivo	18
Instalación del cepillo o del portadisco	19
Reglaje de la tobera	19
Cómo instalar la falda	20
Funcionamiento de la máquina	21
Arranque y parada	21
Dominio del desplazamiento de la máquina	21
Cómo utilizar la lámpara	21
Mantenimiento	22
 Sección II Manual de piezas	 34-45



ADVERTENCIA!

Los Productos a la venta en este Manual contienen, o pueden contener, productos químicos reconocidos por algunos gobiernos (como el Estado de California, según lo indica en su Proposición 65, Ley de Advertencia Regulatoria) como causantes de cáncer, defectos de nacimiento u otros daños reproductivos. En algunas jurisdicciones (incluido el Estado de California), los compradores de estos Productos que los coloquen en servicio en un emplazamiento laboral o en un espacio de acceso público tienen la obligación regulatoria de realizar determinados avisos, advertencias o divulgaciones respecto de los productos químicos contenidos o posiblemente contenidos en los Productos utilizados en tal lugar. Es la responsabilidad del comprador conocer y cumplir con todas las leyes y reglamentaciones relacionadas con el uso de estos Productos en tales entornos. El Fabricante niega toda responsabilidad de informar a los compradores sobre requisitos específicos que pueden regir el uso de los Productos en tales entornos.

Instrucciones De Seguridad Para El Operador

PELIGRO significa:



Usted u otras personas pueden estar expuestos a sufrir lesiones personales, inclusive la muerte si las indicaciones de **PELIGRO** que se encuentran en esta máquina o en el manual de instrucciones se ignoran o no se tienen en cuenta. Lea y respete todas las indicaciones de **PELIGRO** que se encuentran en el manual de instrucciones y en la máquina.

ADVERTENCIA significa:



Usted u otras personas pueden estar expuestos a sufrir lesiones personales, si las indicaciones de **ADVERTENCIA** que se encuentran en esta máquina o en el manual de instrucciones se ignoran o no se tienen en cuenta. Lea y respete todas las indicaciones de **ADVERTENCIA** que se encuentran en el manual de instrucciones y en su máquina.

PRECAUCIÓN significa:



La máquina u otros bienes pueden sufrir daños materiales si las indicaciones de **PRECAUCIÓN** que se encuentran en la máquina o en el manual de instrucciones se ignoran o no se tienen en cuenta. Lea y respete todas las indicaciones de **PRECAUCIÓN** que se encuentran en el manual de instrucciones y en la máquina.



PELIGRO:

En caso de que no se lea el manual de instrucciones antes de operar este equipo de lijado o realizar el mantenimiento del mismo podría resultar en que el operador u otras personas en el área sufriesen lesiones personales y el equipo podría sufrir daños materiales. Lea y respete todas las indicaciones de seguridad que se encuentran en este manual y en el equipo de lijado. Asegúrese que todas las etiquetas, calcomanías, advertencias, precauciones e instrucciones estén adheridas a la máquina. Reemplace cualquier indicación que esté dañada o falte. Antes de utilizar el equipo, es necesario recibir la capacitación adecuada en la operación del mismo. **Si el operador no puede leer este manual, explíquese exhaustivamente antes que intente utilizar este equipo.**



PELIGRO:

El lijado/acabado de pisos de madera puede crear un entorno que puede ser explosivo. Se deberán tener en cuenta los siguientes procedimientos de seguridad:

- Los encendedores, las lámparas indicadoras y cualquier otra fuente de ignición pueden provocar una explosión si se activan durante una sesión de lijado. Si es posible, apague o retire por completo todas las fuentes de ignición del área de trabajo.
- Las áreas de trabajo que estén muy poco ventiladas pueden crear un entorno explosivo cuando se encuentran determinados materiales combustibles en la atmósfera: por ejemplo, solventes, diluyentes, alcoholes, combustibles, ciertos acabados, polvo de madera y otros materiales combustibles. El equipo de lijado de pisos puede provocar la combustión de los materiales y vapores inflamables. Lea la etiqueta del fabricante sobre todas las sustancias químicas utilizadas para determinar su combustibilidad. Mantenga el área de trabajo bien ventilada.
- Pueden producirse una combustión espontánea o una explosión cuando se trabaja con polvo de lijado. El polvo de lijado puede auto-encenderse, provocando lesiones personales y daños materiales. Deshágase del polvo de lijado de una manera adecuada. Vacíe siempre el polvo de lijado dentro de un recipiente de metal que esté localizado fuera del edificio.
- Extraiga el contenido de la bolsa de polvo cuando la misma esté llena a 1/3. Extraiga el contenido de la bolsa de polvo cada vez que termine de usar el equipo. Nunca deje la bolsa sin vigilancia cuando haya polvo de lijado en la misma.
- No vacíe el contenido de la bolsa de polvo en el fuego.
- Golpear un clavo cuando se lija puede causar chispas y crear una explosión o un incendio. Utilice siempre un martillo y perfore para avellanar todos los clavos antes de lijar los pisos.

**PELIGRO:**

La operación de equipo de lijado parcialmente ensamblado podría provocar que el operador o las personas en el área de trabajo sufriesen lesiones, y también podría causar daños materiales al equipo o a otros bienes.



- No opere este equipo a menos que esté totalmente ensamblado y que todas las protecciones, puertas y tapas estén bien aseguradas en su lugar.
- Mantenga todas las sujeciones apretadas.
- Mantenga todos los ajustes dentro de las especificaciones del fabricante.

**PELIGRO:**

Las partes móviles de este equipo de lijado pueden causar lesiones al operador o a las personas que se encuentren en el área de trabajo.

- Mantenga las manos, los pies y la vestimenta suelta alejados de todas las partes móviles.
- No cambie ni ajuste el abrasivo mientras el equipo de lijado esté en funcionamiento.
- No realice ningún servicio de reparación o mantenimiento al equipo de lijado mientras esté en funcionamiento.

**PELIGRO:**

Este equipo de lijado requiere un suministro de electricidad. El uso inadecuado podría provocar una descarga eléctrica o un incendio.

- Conecte únicamente a un suministro eléctrico que coincida con lo que se muestra en la placa de identificación del equipo.
- No utilice este equipo de lijado sobre un circuito eléctrico sin conexión a tierra. Consulte con un electricista si sospecha que el circuito no está adecuadamente conectado a tierra.
- No utilice este equipo de lijado con un cable eléctrico dañado. Inspeccione antes de cada uso.
- Evite golpear el cable eléctrico con el abrasivo. Eleve siempre el cable eléctrico sobre el equipo de lijado.
- No utilice el cable eléctrico para mover el equipo.
- Desconecte el suministro eléctrico antes de realizar un servicio de reparación o mantenimiento al equipo.

**PELIGRO:**

La máquina puede tener un par de arranque alto. No utilice la máquina sobre superficies rugosas o irregulares. No trabaje en pendiente. La máquina podría moverse repentinamente de lado a lado e incluso elevarse del suelo si no se utiliza convenientemente. En trabajos que exijan un alto par de la máquina, esta solamente deberá ser operada por personal experimentado. Si no puede controlar la máquina durante su funcionamiento, suelte el asa y aléjese de la zona. Esta se detendrá automáticamente.

**ADVERTENCIA:**

En el caso de que la bolsa se prenda fuego, el operador puede resultar lesionado si está atado o sujeto al equipo. Utilice el cinturón operativo adecuadamente (siga el procedimiento de la página 11).

**ADVERTENCIA:**

Si no se utilizan los dispositivos de protección personal correctos mientras se realiza el lijado, el operador o cualquier persona en el área de trabajo pueden sufrir lesiones. Utilice siempre protección respiratoria, ocular y auditiva mientras realice una operación de lijado.

**ADVERTENCIA:**

Pueden producirse lesiones personales si se aplica potencia al equipo con el interruptor de alimentación ya situado en la posición "ON" (Encendido). Asegúrese siempre de que el interruptor de alimentación esté en la posición "OFF" (Apagado) antes de conectar la fuente de alimentación.

**PRECAUCIÓN:**

El mantenimiento y las reparaciones realizados por personal no autorizado podrían producir daños materiales o lesiones personales. El mantenimiento y las reparaciones realizadas por personal no autorizado anularán su garantía. El mantenimiento y las reparaciones de esta unidad siempre deben ser realizados por un distribuidor autorizado de American Sanders.

**PRECAUCIÓN:**

Si utiliza este equipo para desplazar otros objetos o para subirse al mismo se pueden producir lesiones o daños. No utilice este equipo como escalera ni como mueble. No se suba al equipo.

**PRECAUCIÓN:**

Si el equipo no se guarda correctamente en un edificio sin humedad podría resultar dañado. Guarde el equipo en un lugar seco.

**PRECAUCIÓN:**

El equipo es pesado. Cuando transporte el equipo, extraiga el motor. Consiga ayuda para elevar el equipo y el motor.

**PRECAUCIÓN:**

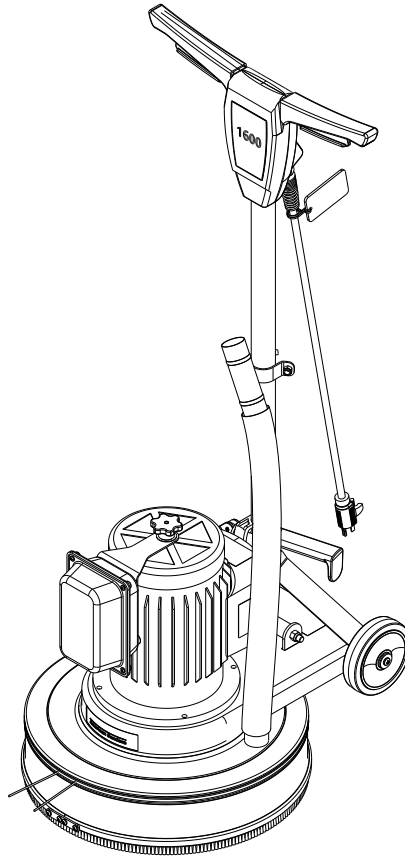
Se puede causar un daño grave al piso si el equipo de lijado se deja funcionando en un lugar mientras el tambor de lijado está en contacto con el piso. Para evitar dañar el piso, comience a lijar a una velocidad de lijado normal. Cuando baje o eleve la rueda de contacto, hágalo en el menor tiempo posible. Lije siempre a una velocidad constante.

PRESENTACION DE LA MAQUINA

PRESENTACION DE LA MAQUINA

Sander 1600DC

Sander 1600DC es una máquina para pulir pisos. También puede ser utilizada para lustrar, pulverizar, sacar brillo y decapar. La máquina puede ser utilizada en pisos de madera, vinilo, terrazzo o cemento.



Modelo	Sander 1600DC
Número de código	07101B/07101C/07101D
Tensión (V)	120
Frecuencia (Hz)	60
Corriente (A)	14
Potencia (hp)	1.5
Diámetro del disco	16.0
Velocidad de rotación del disco(rpm)	175
Longitud del cable de añadido (pies)	50
Peso (libras)	121

INSTRUCCIONES PARA LA CONEXION ELECTRICA DE LA MAQUINA

La máquina debe ser puesta a tierra. En caso de mal funcionamiento o de avería, el hilo de tierra es un camino de menor resistencia que permite el paso de corriente ; por lo cual se reduce el riesgo de choque eléctrico. La máquina tiene un cable de alimentación con tres conductores y un enchufe con tres clavijas de las cuales una está puesta a tierra. El enchufe sólo puede ser conectado con una caja de enchufe reglamentaria, puesta a tierra con todas las reglas del arte y conforme a los reglamentos locales.



AVISO : Una conexión incorrecta del conductor de puesta a tierra puede causar un choque eléctrico. Acuda a un técnico autorizado o a un electricista si tiene alguna duda acerca de la puesta a tierra correcta de la caja de enchufe conectada con la red. Nunca modifique el enchufe suministrado con la máquina. Si no encaja el enchufe en la caja de enchufe conectada con la red, haga instalar una caja de enchufe adecuada por un electricista autorizado.

Esta máquina debe funcionar en un circuito de potencia nominal de 120 V. Tiene un enchufe con una clavija de puesta a tierra semejante al enchufe reproducido en la figura 9. Compruebe que la máquina esté conectada con una caja de enchufe que tiene la configuración adecuada. No utilice ningún adaptador.



AVISO: Para evitar el peligro de choque eléctrico, proteja la máquina de la lluvia. Guárdela en un local seco.



AVISO: Para evitar el peligro de electrocución, conecte la máquina con una red que tiene tres conductores, está puesta a tierra y tiene un diferencial. Si tiene alguna duda, diríjase a un electricista autorizado.



AVISO: Nunca rompa, quite o corte la clavija de puesta a tierra. Si la caja de enchufe no corresponde al enchufe, acude a un electricista autorizado.



AVISO: Si el cable de alimentación está desgastado, dañado o cortado, hágalo cambiar inmediatamente por un técnico autorizado.

AÑADIDOS

Use sólo un añadido con tres conductores, de los cuales uno está puesto a tierra, y con un enchufe con tres clavijas y un conector con tres aberturas. La máquina tiene un cable de alimentación de 14 AWG (American Wire Gauge) (Calibre estadounidense para alambre) de sección.



AVISO ! Use un añadido de cable de 12 AWG de sección. No use ningún añadido de más de 50 pies de largo. Nunca conecte dos añadidos.

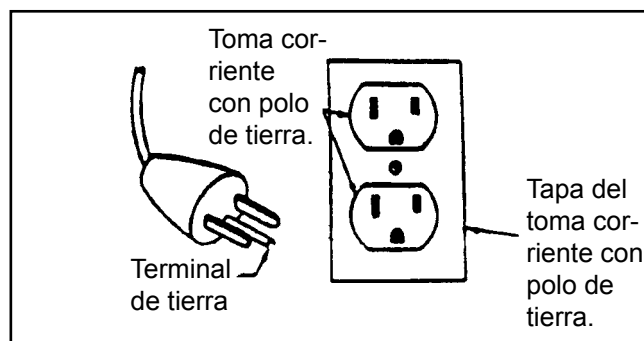


Figura 9

PREPARACION DE LA MAQUINA PARA TRABAJAR

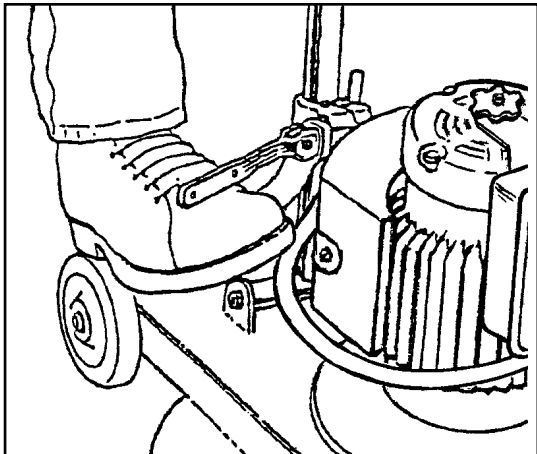


Figura 1



Figura 2

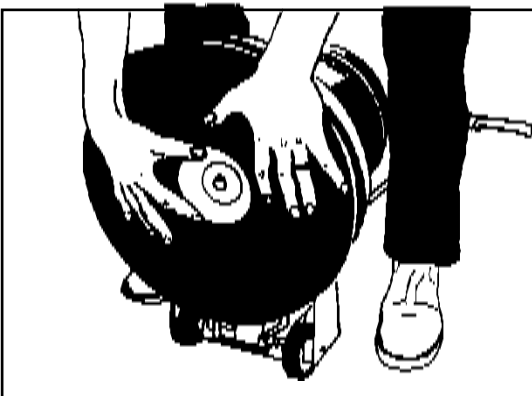


Figura 3

⚠ ADVERTENCIA: Antes de instalar o cambiar el papel abrasivo, desconecte siempre el enchufe de la toma de corriente.

Cómo instalar el papel abrasivo

Instale el papel abrasivo, siguiendo las siguientes instrucciones:

1. Ponga el mango en posición vertical.
2. Bloquee el mango presionando hacia abajo la palanca de bloqueo. Ver figura 1.
3. Incline la máquina hacia atrás hasta que el mango esté situado en el suelo.
4. Colóquese con un pie a cada lado de la máquina.
5. Quite la tuerca y la arandela que sujetan el soporte del papel utilizando una llave del 7/8. Ver figura 2
6. Ponga el papel abrasivo en la almohadilla.
7. Coloque el soporte del papel correctamente. Ver figura 3.
8. Instale la arandela y la tuerca que sujetan el soporte del papel.

Fases de pulimentado y tipo de papel abrasivo

Fase inicial

El objeto de la fase inicial es eliminar los acabados previos y las imperfecciones mayores del suelo. Para ello debe utilizar un papel abrasivo grueso.

Si inmediatamente después de haber realizado la fase inicial va a pulimentar con abrasivos, realizar operaciones de ensuciamiento o abrasado, elija un papel abrasivo grueso. Si tuviera que realizar estas operaciones durante la fase inicial del pulimentado, el abrasivo se habrá embotado y tendrá que sustituirlo.

Fase final

El objetivo de esta fase de pulimentado es eliminar los arañazos que se han producido durante la fase inicial. Utilice un abrasivo de grano fino (60-80 granos).

Si después de haber efectuado la fase final, la superficie permanece rugosa, utilice un papel abrasivo más fino (80-100 granos). Preste atención a la hora de elegir el grosor del papel abrasivo. Un papel demasiado fino podría obturar los poros de un suelo de madera lo que dificultaría la absorción de la solución colorante.

PREPARACION DE LA MAQUINA PARA TRABAJAR

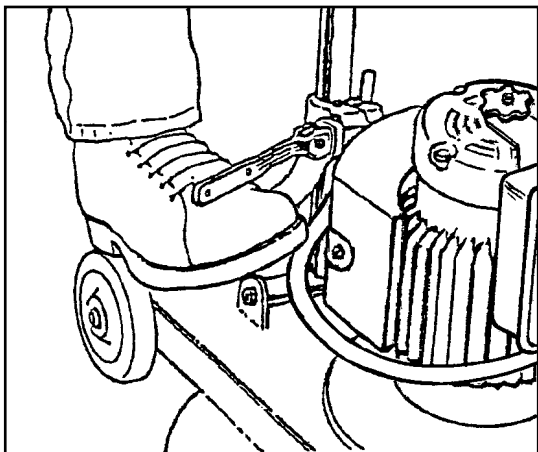


Figura 4

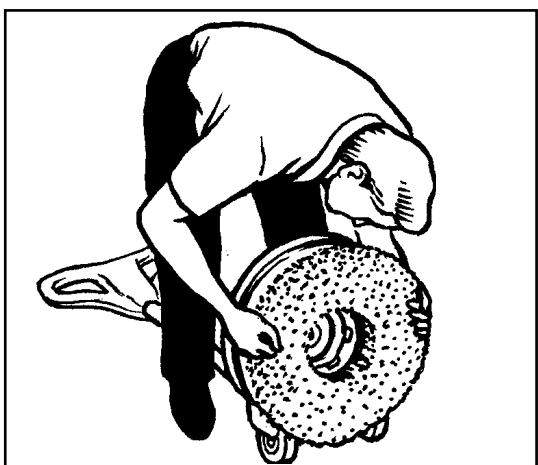


Figura 5

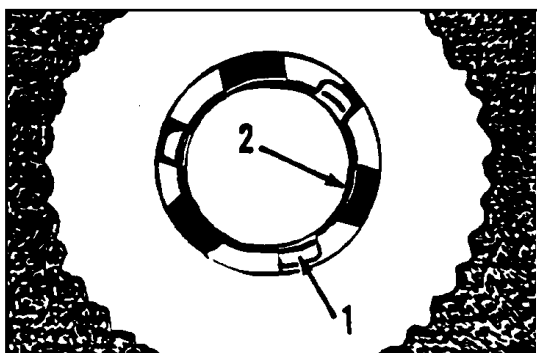


Figura 6

1. Espigas
2. Aberturas del acoplamiento

⚠ AVISO: Desconecte siempre el enchufe de la caja de enchufe conectada con la red antes de instalar o cambiar el disco o el cepillo.

Cómo instalar el cepillo o el portadisco

Para instalar una cabeza de cepillo o un portadisco, sigue este procedimiento :

1. Coloque la tobera en posición vertical.
2. Para bloquear la tobera, empuje la palanca de bloqueo (hacia abajo). (Véase fig. 4)
3. Vuelque la máquina hacia atrás hasta que la tobera toca el suelo. (Véase fig. 5).
4. "Cabalgando" sobre la máquina (Véase fig. 5)
5. Inserte el arrastre central del cepillo sobre el acoplamiento de la máquina. (Véase fig. 6)
6. Fije el cepillo o el disco girando en el sentido de las agujas del reloj.
7. Para quitar el cepillo o el disco, desbloquee el accesorio girando en el sentido contrario de las agujas del reloj, pues sáquelo.
8. Coloque de nuevo la máquina en posición vertical.

NOTA: Para evitar causar daños al cepillo o al portadisco, quite el accesorio cuando guarda la máquina. Guarde la máquina en un sitio seco y fresco.

Reglaje de la tobera

Para reglar la tobera, sigue este procedimiento :

1. La palanca de bloqueo se encuentra en la parte inferior del montante de la tobera. Levante la palanca con el pie. (Véase fig. 4).
2. Baje la tobera en la posición de trabajo la más comfortable.

NOTA: La mejor posición de trabajo es cuando la espalda está recta y los brazos son doblados.

3. Con el pie baje la palanca de bloqueo.
4. Para controlar mejor la máquina, tenga el mango cerca del cuerpo mientras trabaja.

PREPARACION DE LA MAQUINA PARA TRABAJAR

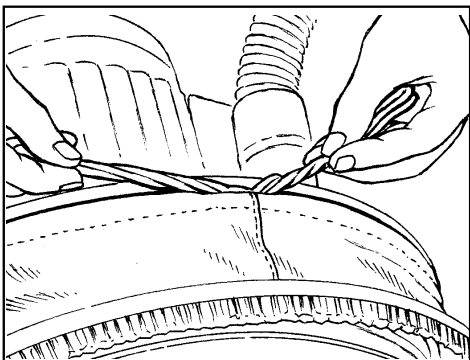


Figura 7

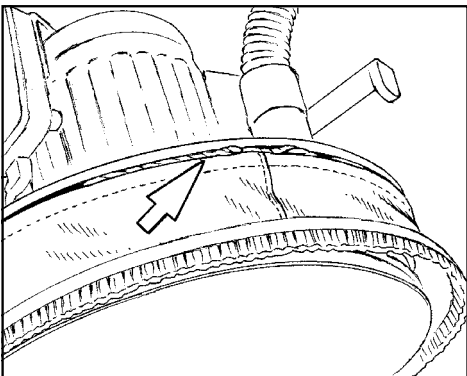


Figura 8

Cómo instalar la falda

Para instalar la falda, siga este procedimiento:

1. Envuelva la falda alrededor del parachoques de manera que la cadena de arrastre pueda ser insertada en el hueco del parachoques. Vea la figura 7.
2. Oriente la correa de sujeción del cepillo ubicada en la parte posterior de la máquina para evitar rayar superficies.
3. Ajuste y haga un nudo con la cadena de la falda de manera de poder soltarla cuando se quite la falda.
4. Enrosque los extremos de la cadena (vea la figura 7) e insértelos en el hueco del parachoques tal como se exhibe en la figura 8.

NOTA: La falda debe mantenerse sobre el piso ya sea que esté dentro o fuera de la máquina.

FUNCIONAMIENTO DE LA MAQUINA

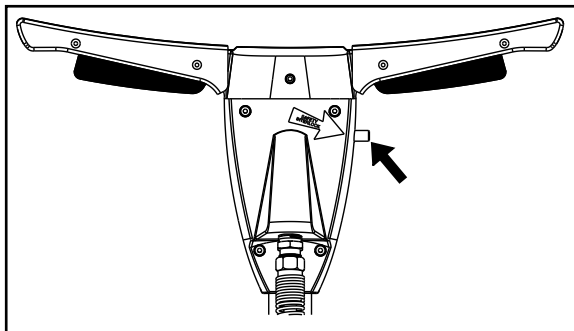


Figura 10

Arranque y parada



PELIGRO: La máquina puede tener un par de arranque alto. No utilice la máquina sobre superficies rugosas o irregulares. No trabaje en pendiente. La máquina podría moverse repentinamente de lado a lado e incluso elevarse del suelo si no se utiliza convenientemente. En trabajos que xijan un alto par de la máquina, esta solamente deberá ser operada por personal experimentado. Si no puede controlar la máquina durante su funcionamiento, suelte el asa y aléjese de la zona. Esta se detendrá automáticamente.



AVISO: Nunca arranque la máquina cuando la tobera está en posición vertical.

FUNCIONAMIENTO DE LA MAQUINA

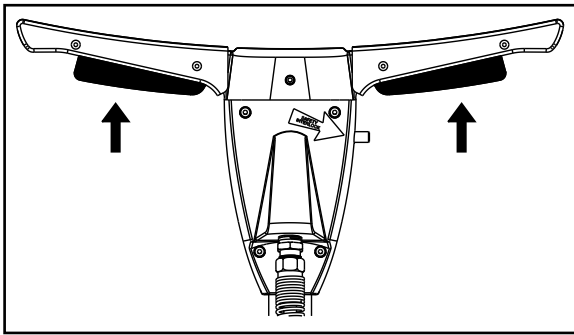


Figura 10A

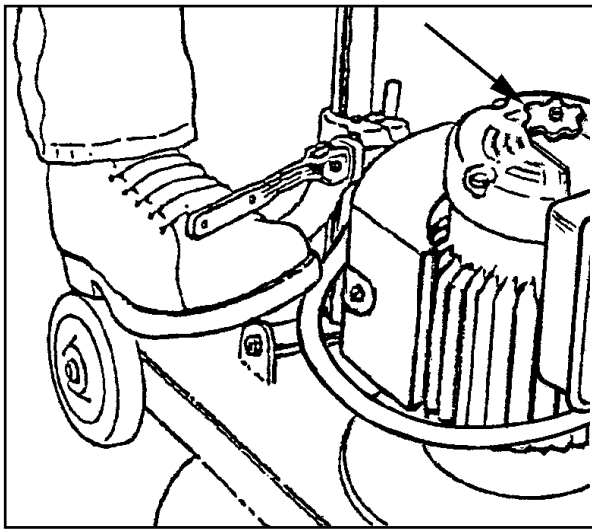


Figura 11

El interruptor de arranque/parada se opera empujando el botón de cierre de seguridad (Véase Fig. 10) y usando las palancas (Véase Fig. 10A) situadas debajo del mango de mando.

Para arrancar la máquina, siga este procedimiento :

1. Baje la tobera.
2. Bloquee la tobera en la posición de trabajo la más confortable para el operador.

NOTA : Siempre tenga el mango con ambas manos.

3. Empuje el botón de cierre (Véase Fig. 10) y presione con las manos sobre las palancas (Véase Fig. 10).

DOMINIO DE LA MAQUINA

NOTA : Para realizar las operaciones de pulimentado es necesario emplear más fuerza que para realizar las operaciones normales de abrillantado. Sujete siempre el mango con las dos manos.

Para ir de un lado al otro, levante o baje lentamente la tobera de la máquina. Para dirigir la máquina hacia la izquierda, presione la tobera. Para dirigir la máquina hacia la derecha, levante despacio la tobera.

NOTA : Los usuarios inexpertos deberán primero practicar con la máquina antes de comenzar a trabajar con ella. Practique sobre una gran superficie lisa y despejada, con solo una almohadilla de limpieza en la máquina. El usuario deberá practicar primero con la máquina hasta controlarla bien.

Cómo utilizar la lámpara

Para encender la lámpara:

1. Enchufe la lámpara a la máquina.
2. Enchufe la máquina a la fuente de energía.

Para ubicar la lámpara:

1. Afloje la perilla en la parte superior del motor (vea la figura 11) y gire la lámpara hasta la posición deseada.
2. Vuelva a ajustar la perilla.

Para extraer la lámpara:

3. Desenchufe el cable que se ubica en la parte inferior de la lámpara.
4. Afloje y extraiga la perilla de montaje (vea la figura 11) que se encuentra en la parte superior del motor.
5. Extraiga la lámpara y vuelva a conectar la perilla de montaje.



AVISO: El mantenimiento debe ser efectuado por un técnico autorizado.



PRUDENCIA: Todos los reglajes deben ser realizados conforme a las indicaciones descritas en este libro.

Instrucciones para el mantenimiento

Cada 12 meses, la máquina debe ser mandada a un centro técnico autorizado American Sanders para ser comprobada.

Interruptores



AVISO: Todas las reparaciones eléctricas deben ser efectuadas por técnicos autorizados. Después de cada reparación, hay que comprobar el aislamiento eléctrico. Desconecte siempre el enchufe del cable de alimentación antes de realizar cualquier reparación eléctrica.

El interruptor arranque/parada tiene un seguro que impide a los contactos que se cierren. Si un componente del interruptor no funciona, cambie este componente. Si una pieza del sistema eléctrico de la máquina no funciona o está dañada, cambie la pieza. Compruebe que todas las conexiones están bien fijadas. Mande la máquina a un centro técnico autorizado American Sanders para cualquier reparación o comprobación del sistema eléctrico.

Mantenimiento del motor

Los motores de inducción no requieren la utilización de escobillas.

Si tiene que efectuar reparaciones al sistema de accionamiento o al motor, no desmonte la máquina, mándela a un centro técnico autorizado American Sanders.

Para alargar la longevidad de la máquina y garantizar su funcionamiento óptimo, use sólo recambios American Sanders.

NOTA: La grasa del sistema de accionamiento (503802) debe ser cambiada cada año. Los modelos 1600 y 1600DC necesitan 236 cm³ de grasa.

LISEZ CE MANUEL

Ce Manuel contient des informations importantes concernant l'utilisation et le fonctionnement de cette machine dans des conditions de sécurité optimales. La non-lecture de ce manuel avant d'utiliser ou d'entretenir votre machine American Sanders risque de provoquer un accident ou d'endommager la machine ou son environnement. Vous devez avoir été formé à l'utilisation de cette machine avant de l'utiliser. Si l'opérateur n'est pas en mesure de lire ce Manuel, il devra se le faire expliquer entièrement avant de tenter d'utiliser cette machine.

Toutes les directions données dans ce Manuel le sont par rapport à la position de l'opérateur, à l'arrière de la machine.

INDEX

Consignes de sécurité pour l'opérateur.....	23-25
Présentation de la machine.....	26
Instructions pour le raccordement au réseau 120V.....	27
Préparation de la machine avant la mise en service.....	28-30
Installation du papier abrasif.....	28
Phases de ponçage et papier abrasif.....	28
Installation de la brosse ou du porte-disque.....	29
Réglage du timon.....	29
Installation de la Jupe.....	30
Fonctionnement de la machine.....	31
Mise en marche et arrêt.....	31
Maîtrise du déplacement de la machine.....	31
Comment utiliser la Lampe.....	31
Entretien.....	32
SECTION II, PIECES ET DEPANNAGE.....	33-42



AVERTISSEMENT !

Les Produits vendus avec le présent manuel contiennent ou peuvent contenir des produits chimiques reconnus par certains gouvernements (comme l'État de Californie, par le biais de la proposition de loi d'avertissement réglementaire 65) comme provoquant des cancers, des anomalies congénitales et autres dangers pour la reproduction. Dans certains endroits (comme l'État de Californie), les acheteurs de ces Produits, qui les utilisent sur un lieu de travail ou dans un espace public, ont l'obligation d'apposer certains avis, avertissements ou informations concernant les produits chimiques qui sont ou peuvent être contenus dans les Produits dans ces lieux ou aux alentours de ces lieux de travail. Il incombe à l'acheteur de connaître les dispositions de, et de respecter, toutes les lois et réglementations ayant trait à l'utilisation de ces Produits au sein de tels environnements. Le Fabricant rejette toute responsabilité d'informer les acheteurs concernant des exigences spécifiques qui peuvent s'appliquer à l'utilisation des Produits dans de tels environnements.

*****Ce produit est destiné pour une utilisation commerciale.*****

Consignes De Securite Destinees A L'operateur

DANGER signifie:



De graves blessures corporelles, voire la mort, peuvent survenir si les déclarations DANGER apposées sur l'appareil ou inscrites dans le Manuel de l'utilisateur sont ignorées ou ne sont pas suivies. Lisez et respectez toutes les consignes DANGER se trouvant dans le Manuel de l'utilisateur et sur l'appareil.

AVERTISSEMENT signifie:



Des blessures corporelles peuvent survenir si les MISES EN GARDES apposées sur l'appareil ou inscrites dans le Manuel de l'utilisateur sont ignorées ou ne sont pas suivies. Lisez et respectez toutes les AVERTISSEMENTS inscrits dans le Manuel de l'utilisateur et apposés sur l'appareil.

MISE EN GARDE signifie:



Il y a risque de dommages à l'appareil ou à la propriété si les MISES EN GARDES apposées sur l'appareil ou inscrites dans le Manuel de l'utilisateur sont ignorées ou ne sont pas suivies. Lisez et respectez toutes les MISES EN GARDE se trouvant dans le Manuel de l'utilisateur et apposées sur l'appareil.



DANGER:

À défaut de lire le Manuel de l'utilisateur avant l'utilisation ou l'entretien de cet appareil de ponçage peut provoquer des blessures corporelles à l'opérateur ou toute autre personne et endommager l'appareil. Lisez et respectez toutes les consignes de sécurité décrites dans ce Manuel et apposées sur l'appareil de ponçage. Assurez-vous que tous les autocollants, décalcomanies, avertissements, mises en garde et directives sont apposés sur l'appareil. Remplacez tous ceux endommagés ou manquants. Vous devez avoir été formé à l'utilisation de cette appareil avant de l'utiliser. Si l'opérateur est incapable de lire ce manuel, le faire expliquer dans son intégralité avant qu'il essaie d'utiliser cet appareil.



DANGER:

- Les briquets, les flammes pilote et toute autre source d'inflammation peuvent provoquer une explosion si actionnés au cours d'un ponçage. Toutes sources d'inflammation devraient être éteintes ou retirées entièrement, si possible, de la zone de travail.
- Les zones de travail peu aérées peuvent se transformer en un environnement déflagrant lorsque certains matériaux combustibles sont présents dans l'atmosphère notamment les solvants, diluants, alcool, combustibles, certains finis, poussières de bois et autres matériaux combustibles. Les appareils de ponçage de plancher peuvent inflammer le matériel et les vapeurs. Bien lire l'étiquette du fabricant sur tous les produits chimiques pour évaluer la combustibilité. Veillez à ce que la zone de travail soit bien aérée.
- La combustion spontanée ou une explosion est possible lors de travaux avec poussière de ponçage. La poussière de ponçage peut s'inflammer elle-même et provoquer des blessures ou des dommages. Veillez éliminer adéquatement la poussière de ponçage. Videz toujours la poussière de ponçage dans un contenant en métal situé à l'extérieur de tout(tous) édifice(s).
- Videz le sac de dépoussiérage lorsqu'il est plein au tiers de sa capacité. Videz le contenu du sac de dépoussiérage à chaque fois que vous avez terminé avec l'appareil. Ne laissez jamais un sac de dépoussiérage sans surveillance avec de la poussière de bois.
- Ne jetez pas le contenu du sac de dépoussiérage dans un feu.
- En cours de ponçage, il est possible de provoquer une étincelle en heurtant un clou et ainsi, provoquer une explosion ou un incendie. Utilisez toujours un marteau et un poinçon pour fraisurer tous clous avant de sabler/poncer un plancher.

**DANGER:**

Le fonctionnement d'un appareil de ponçage partiellement assemblé peut blesser l'opérateur ou une personne à proximité et provoquer des dommages à l'appareil ou à la propriété d'autrui.



- N'utilisez pas cet appareil jusqu'à ce qu'il soit entièrement assemblé avec tous les dispositifs de protections, portes et couvercles solidement fixés.
- Veillez à ce que tous les dispositifs de fixation soient serrés.
- Suivez toutes les spécifications de réglage du fabricant.

**DANGER:**

Les pièces mobiles de cet appareil de ponçage peut blesser l'opérateur ou une personne à proximité.

- Tenez les mains, pieds et vêtements amples loin de toutes pièces mobiles.
- Ne changez pas ou n'ajustez pas le papier abrasif alors que l'appareil de ponçage est en fonctionnement.
- N'effectuez pas l'entretien de l'appareil de ponçage en cours de fonctionnement.

**DANGER:**

Cet appareil de ponçage exige une source d'alimentation électrique. Une utilisation inadéquate pourrait provoquer un choc électrique ou une électrocution ou un incendie.

- Branchez l'appareil uniquement à une source d'alimentation qui correspond aux indications de la plaque signalétique.
- Utilisez cet appareil de ponçage uniquement sur un circuit électrique mis à la terre. Consultez un électricien si vous croyez que le circuit n'est pas correctement mis à la terre.
- N'utilisez pas cet appareil de ponçage avec un cordon d'alimentation endommagé. Inspectez l'appareil avant chaque usage.
- Ne heurtez pas le cordon d'alimentation avec le papier abrasif. Soulevez toujours le cordon d'alimentation au-dessus de l'appareil de ponçage.
- N'utilisez pas le cordon d'alimentation pour déplacer l'appareil de ponçage.
- Débranchez de la source d'alimentation avant d'effectuer une réparation ou un entretien sur cet appareil.

DANGER:

La máquina puede tener un par de arranque alto. No utilice la máquina sobre superficies rugosas o irregulares. No trabaje en pendiente. La máquina podría moverse repentinamente de lado a lado e incluso elevarse del suelo si no se utiliza convenientemente. En trabajos que exijan un alto par de la máquina, esta solamente deberá ser operada por personal experimentado. Si no puede controlar la máquina durante su funcionamiento, suelte el asa y aléjese de la zona. Esta se detendrá automáticamente.

**AVERTISSEMENT:**

Dans le cas d'un sac de dépoussiérage en feu, l'opérateur peut se blesser s'il est attaché ou relié à l'appareil avec une sangle. Utilisez correctement la ceinture de travail (suivez la procédure à la page 11).

**AVERTISSEMENT:**

L'opérateur, ou toute personne à proximité, doit porter une tenue de protection en cours de ponçage pour prévenir les blessures. Utilisez toujours une protection oculaire et auditive ainsi qu'un appareil respiratoire lors de tout ponçage/sablage.

**AVERTISSEMENT:**

Il y a un risque potentiel de blessures corporelles si l'appareil est mis sous tension avec l'interrupteur déjà en position de marche (ON). Assurez-vous toujours que l'interrupteur soit en position d'arrêt (OFF) avant de mettre l'appareil sous tension.

**MISE EN GARDE :**

Les opérations de maintenance et les réparations effectuées par des techniciens non agréés risquent d'entraîner des dommages ou des blessures corporelles. Les opérations de maintenance et les réparations effectuées par des techniciens non agréés annuleront votre garantie. Dirigez-vous toujours à un distributeur agréé American Sanders pour toutes réparations de cet appareil.

**MISE EN GARDE:**

L'utilisation de cet appareil pour déplacer ou monter sur des objets peut provoquer un accident ou entraîner des dégâts matériels. Ne pas utiliser cet appareil comme marchepied ou comme meuble. Ne montez pas sur cet appareil.

**MISE EN GARDE:**

Il y a un risque d'endommager l'appareil si celui-ci n'est pas entreposé dans un bâtiment à l'abri de l'humidité. Rangez l'appareil dans un établissement à l'abri de l'humidité.

**MISE EN GARDE :**

Cet appareil est lourd. Pour le transport de l'appareil, déposez le moteur. Demandez de l'aide pour soulever l'appareil et le moteur.

**MISE EN GARDE :**

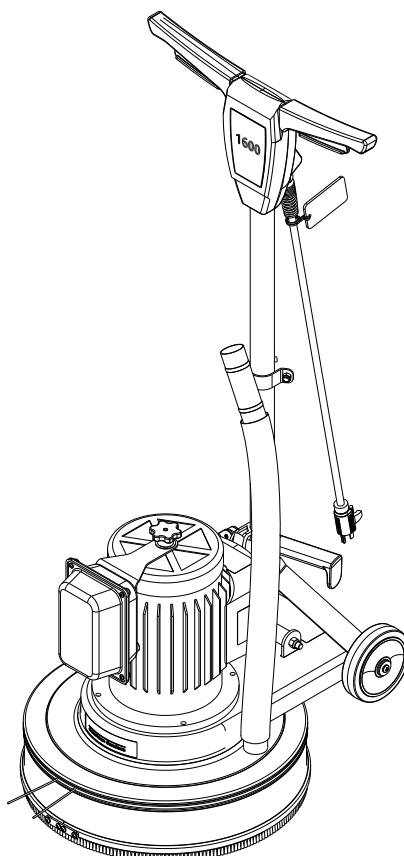
Il y a un risque de dommages graves au plancher si l'appareil de ponçage fonctionne en continu au même endroit avec le tambour de ponçage directement sur le plancher. Pour empêcher tout dommage au plancher, poncer légèrement à un régime de ponçage normal. Ne vous arrêtez pas lors de la levée ou de l'abaissement du tambour. Poncez ou sablez toujours à un régime constant.

ESPECIFICACIONES DE LA MÁQUINA Y LA INTRODUCCIÓN

PRESENTATION DE LA MACHINE

Sander 1600DC

Sander 1600DC est un appareil de Sablage du sol. Il peut aussi être utilisé pour le polissage, le jet et le décapelage. La machine peut être utilisée sur le bois, vinyle, terrasse ou sols cimentés.



Modèle	Sander 1600DC
Numéro de code	07101B/07101C/07101D
Tension (volts)	120
Fréquence (Hz)	60
Courant (Amps)	14
Puissance (hp)	1.5
Diamètre disque	16.0
Vitesse rotation disque (rpm)	175
Longueur du cordon (pieds)	50
Poids (livres)	121

Machines 120 V - Instructions Pour Le Raccordement Electrique

Cette machine doit être mise à la terre. En cas de dysfonctionnement ou de panne, le fil de terre constitue un chemin de moindre résistance qui permet le passage du courant, réduisant ainsi le risque de choc électrique. La machine est munie d'un câble d'alimentation à trois conducteurs et d'une fiche à trois broches, dont une sert à la mise à la terre. La fiche ne peut être branchée que dans une prise réglementaire, reliée à la terre selon les règles de l'art et qui satisfait à tous les règlements locaux.

⚠ AVERTISSEMENT: Une mise à la terre incorrecte peut provoquer un choc électrique. Si vous avez le moindre doute quant à la mise à la terre de votre prise réseau, faites-la vérifier par un électricien ou un technicien agréé. Ne modifiez jamais la fiche fournie avec la machine. Si la fiche ne rentre pas dans la prise réseau dont vous disposez, faites installer une prise adéquate par un électricien agréé.

Cette machine doit être utilisée sur un circuit d'une puissance nominale de 120 V. Elle est munie d'une fiche avec broche de mise à la terre semblable à celle illustrée à la figure 9. Vérifiez que la prise à laquelle la machine doit être raccordée présente une configuration correspondant à la fiche. N'utilisez pas d'adaptateur.

⚠ AVERTISSEMENT: Pour éviter tout risque de choc électrique, protégez la machine de la pluie. Entrez-la dans un local sec.

⚠ AVERTISSEMENT: Pour éviter tout risque d'électrocution, connectez la machine sur un réseau à trois conducteurs, relié à la terre et muni d'un différentiel. En cas de doute, adressez-vous à un électricien agréé.

⚠ AVERTISSEMENT: Ne jamais casser, enlever ou couper la broche de mise à la terre. Si la prise ne correspond pas à la fiche, faire appel à un électricien agréé.

⚠ AVERTISSEMENT: Si le câble d'alimentation est usé, endommagé ou entaillé, faites-le remplacer immédiatement par un technicien agréé.

ALLONGES

N'utiliser qu'une allonge à trois conducteurs, dont un de mise à la terre, munie d'une fiche à trois broches et d'un connecteur à trois orifices. La machine est équipée d'un câble d'alimentation de 14 AWG (American Wire Gauge) de section.

⚠ AVERTISSEMENT ! Utilisez un câble de rallonge d'une section de 12 AWG. N'utilisez pas de rallonge d'une longueur supérieure à 50 pieds. Ne raccordez jamais deux rallonges.

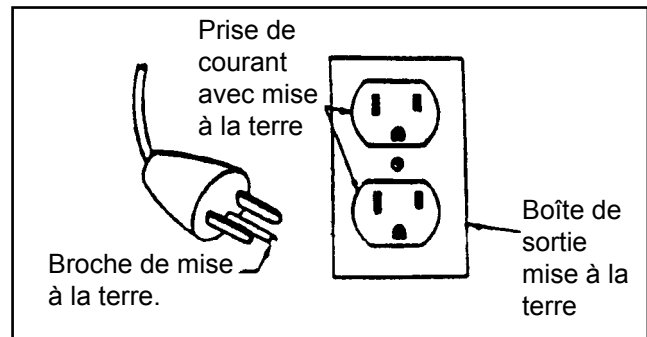


FIGURE 9

Preparation De La Machine Avant La Mise En Service

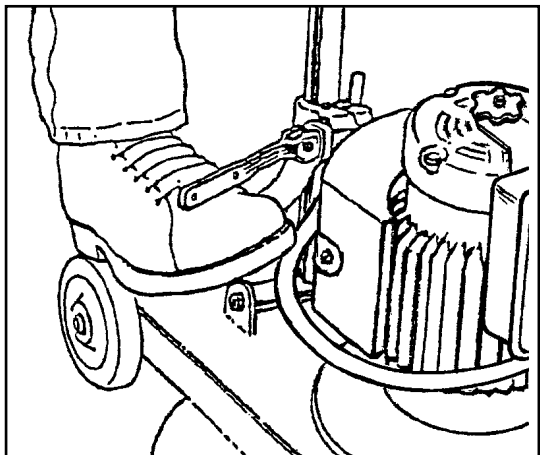


Figure 1



Figure 2

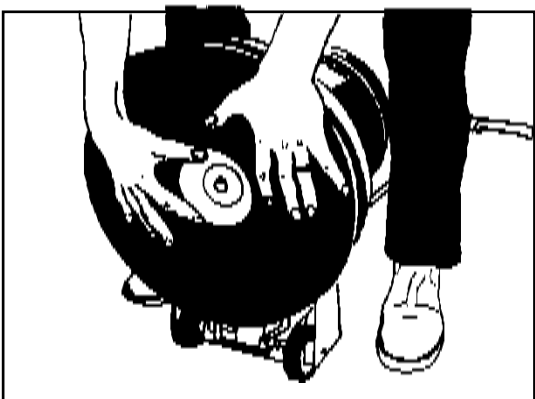


Figure 3

ATTENTION: Débrancher toujours la prise de la source d'alimentation électrique avant d'installer ou de changer le papier abrasif.

Installation du papier abrasif

Pour installer le papier abrasif, suivre la procédure suivante:

1. Mettre la poignée en position verticale.
2. Pousser le levier de verrouillage vers le bas de manière à bloquer la poignée. Voir figure 1.
3. Basculer la machine vers l'arrière jusqu'au moment où la poignée touche le sol.
4. Placer un pied de chaque côté de la machine.
5. A l'aide d'une clé 7/8, ôter le boulon et la rondelle de blocage du support du papier abrasif. Voir figure 2.
6. Placer le papier abrasif sur le patin de ponçage.
7. Mettre le support papier en position. Voir figure 3.
8. Replacer la rondelle et le boulon de fixation du support papier.

Phases de ponçage et papier abrasif

Passé initiale

La passe initiale vise à éliminer les imperfections grossières et l'ancien finissage présents à la surface du plancher. On optera par conséquent pour un abrasif à gros grain.

En cas de lustrage, de chargement, ou de combustion immédiats lors de la passe initiale, il sera nécessaire de sélectionner un grain supérieur. La présence de ce type de conditions lors de la passe initiale indique que l'abrasif est mat et qu'il être remplacé.

Passes finales

La passe finale vise à éliminer les griffes occasionnées lors de la passe initiale. Utiliser un abrasif à grain fin (grain 80-60).

Si la surface reste rugueuse après la passe finale, il peut être nécessaire d'utiliser un grain encore plus fin (grain 80-100). Une certaine précision sera de rigueur lors du choix du grain de l'abrasif. Un grain très fin fermera les pores d'un parquet en bois et rendra difficile l'absorption d'un colorant.

Preparation De La Machine Avant La Mise En Service

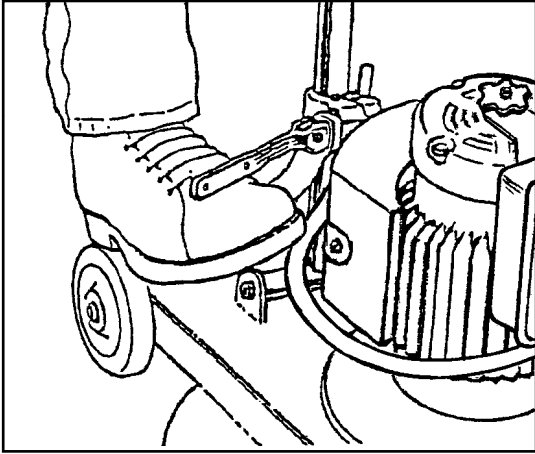


Figure 4

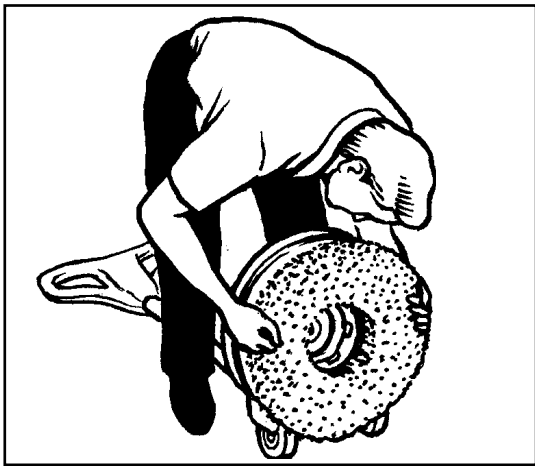


Figure 5

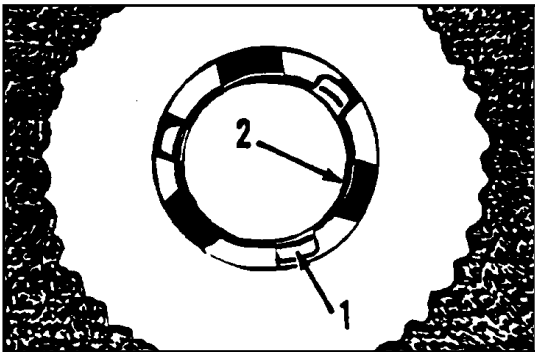


Figure 6

1. Ergots
2. Ouvertures de l'accouplement



AVERTISSEMENT: Débranchez toujours la fiche de la prise réseau avant d'installer ou de changer le disque ou la brosse.

Comment installer la brosse ou le porte-disque

Pour placer une tête de brosse ou un porte-disque, procéder comme suit:

1. Placer le timon en position verticale.
2. Pour verrouiller le timon, presser le levier de verrouillage (vers le bas) (Voir fig.4)
3. Incliner la machine vers l'arrière jusqu'à ce que le timon touche le sol. (Voir fig.5)
4. En "chevauchant" la machine (Voir fig. 5)
5. Insérer l'entraînement central de la brosse sur l'accouplement de la machine.(Voir fig. 6)
6. Fixer la brosse ou le disque par pivotement dans le sens horlogique.
7. Pour déposer la brosse ou le disque, débloquer l'accessoire par pivotement dans le sens anti-horlogique, puis le retirer.
8. Redresser la machine en position verticale.

NOTE: Pour éviter d'endommager la brosse ou le porte-disque, enlever l'accessoire lorsque vous entreposez la machine. Entreposer la machine dans un endroit sec et frais.

Réglage du timon

Pour régler le timon, procéder comme suit :

1. Le levier de verrouillage se trouve sur la partie inférieure du montant du timon. Relever le levier avec le pied (Voir fig.4).
2. Abaisser le timon dans la position de travail la plus confortable.

NOTE: La meilleure position de travail est celle où le dos est bien droit et où seuls les bras sont fléchis.

3. Avec le pied, abaisser le levier de verrouillage.
4. Pour mieux contrôler la machine, tenir la poignée près du corps pendant le travail.

PREPARATION DE LA MACHINE AVANT LA MISE EN SERVICE

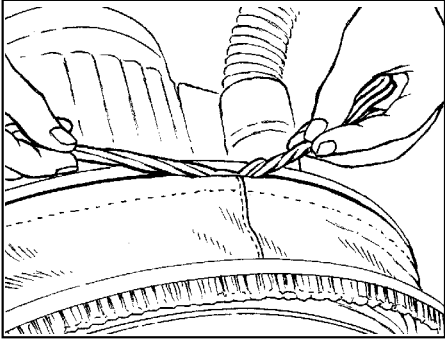


Figure 7

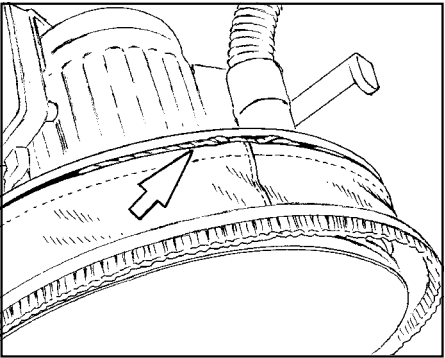


Figure 8

Installation de la Jupe

Pour installer la jupe, suivre la procédure suivante :

1. Envelopper la jupe autour du pare-chocs afin que la ficelle de tirage puisse être insérée dans l'enfoncement du pare-chocs. Voir illustration 7.
2. Orienter le lien d'attache de la brosse à l'arrière de la machine pour prévenir les grattements de surface
3. Serrer et attacher la ficelle sur la jupe dans un noeud en arc afin qu'elle puisse être détachée pour le démontage de la jupe.
4. Tordre les extrémités de la ficelle (voir l'illustration 7) et insérer les dans l'enfoncement du pare-chocs comme montré dans l'illustration 8.

NOTE: La jupe doit être entreposée en position plate sur le sol que la machine soit en service ou pas.

FUNCIONAMIENTO DE LA MAQUINA

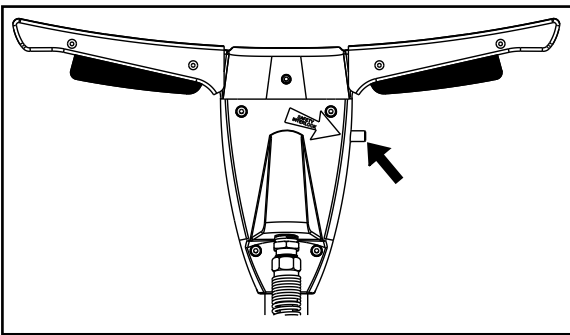


Figura 10

Mise en Marche et Arrêt



DANGER: La machine peut avoir un couple de démarrage élevé. Ne pas utiliser la machine sur des surfaces rugueuses ou inégales. Ne pas utiliser sur une pente. Il est possible que la machine se déplace brusquement d'un côté à l'autre et même quitte le sol si elle est mal utilisée pendant son utilisation. Seuls les opérateurs expérimentés peuvent utiliser la machine pour les applications qui lui confèrent un couple élevé. S'il n'est pas possible de contrôler la machine pendant le fonctionnement, relâcher la poignée et l'éloigner de la machine. La machine s'arrêtera automatiquement.



AVERTISSEMENT: Ne jamais mettre la machine en marche lorsque le timon est en position verticale.

MISE EN SERVICE DE LA MACHINE

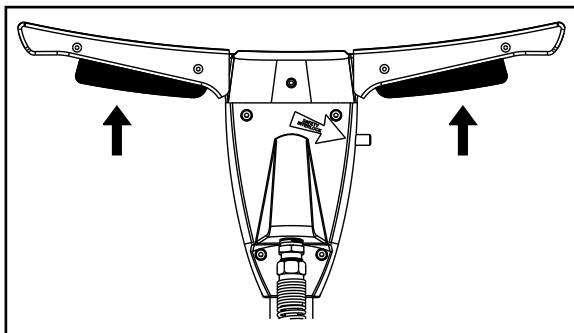


Figura 10A

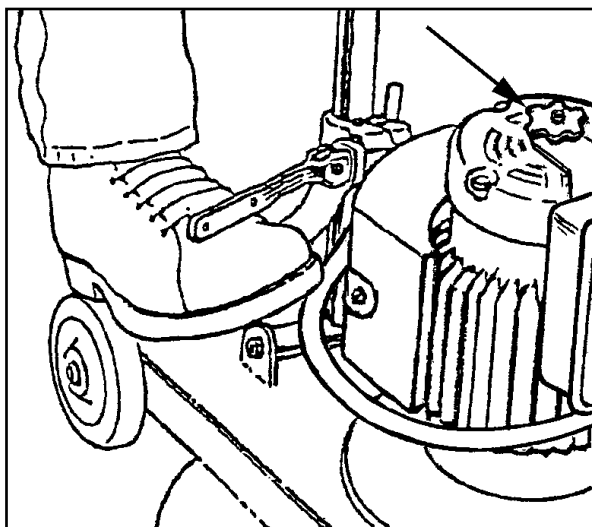


Figura 11

L'interrupteur de marche/arrêt est activé par pression sur le bouton de verrouillage de sécurité (Voir fig. 10) et par les leviers (Voir fig. 10A) situés sous la poignée de commande .

Pour mettre la machine en marche, procéder comme suit :

1. Abaisser le timon
2. Verrouiller le timon dans la position de travail la plus confortable pour l'opérateur.

NOTE : Il faut toujours tenir la poignée des deux mains.

3. Pousser sur le bouton de verrouillage (Voir fig. 10) et appliquer une pression des mains sur les leviers (Voir fig. 10A).

MAITRISE DE LA MACHINE

NOTE : Les opérations de ponçage peuvent générer des mouvements de plus fortes amplitudes que le polissage normal de sol. Veiller à tenir la poignée fermement à l'aide des deux mains.

Pour aller d'un côté à l'autre, lever ou abaisser lentement le timon de la machine.

Pour faire aller la machine vers la gauche, appliquer une pression sur le timon.

Pour faire aller la machine vers la droite, relever légèrement le timon.

NOTE : Les utilisateurs inexpérimentés doivent s'entraîner à utiliser la machine avant de commencer leur projet. Pratiquer dans un grand espace ouvert où le sol est lisse, avec seulement un tampon de nettoyage sur la machine. L'utilisateur doit s'exercer à utiliser la machine de cette manière jusqu'à ce qu'il puisse contrôler la machine de manière cohérente.

Comment utiliser la Lampe

Pour activer la lampe :

1. Brancher la lampe dans la machine
2. Connecter la machine à la source d'alimentation

Pour placer la lampe

1. Desserrez le bouton de réglage sur le sommet du moteur (voir l'illustration 11) et pivoter la lampe à la position désirée.
2. Resserrer le bouton de réglage.

Pour démonter la lampe :

3. Débrancher le câble de connexion en dessous de la lampe
4. Desserrez et démonter le bouton de montage (voir illustration 11) sur le moteur.
5. Démonter la lampe et reattacher le bouton de montage.



AVERTISSEMENT: L'entretien doit toujours être effectué par un technicien agréé.



PRUDENCE: Tous les réglages doivent être réalisés conformément aux indications figurant dans ce manuel.

Instructions pour l'entretien

Tous les 12 mois, la machine doit être renvoyée dans un centre technique agréé American Sanders, pour vérification.

Interrupteurs



AVERTISSEMENT: Toutes les réparations électriques doivent être effectuées par des techniciens agréés. Après toute réparation, l'isolation électrique doit être vérifiée. Débrancher toujours la fiche du câble d'alimentation avant de procéder à toute réparation électrique.

L'interrupteur marche/arrêt est muni d'une sécurité qui empêche les contacts de se refermer. Si un élément de l'interrupteur ne fonctionne pas, remplacer cet élément. Si une pièce du système électrique de la machine ne fonctionne pas ou est endommagée, remplacez la pièce. Vérifiez que toutes les connexions sont bien fixées. Renvoyez la machine dans un centre technique agréé American Sanders pour toute réparation ou vérification du système électrique.

Entretien du moteur

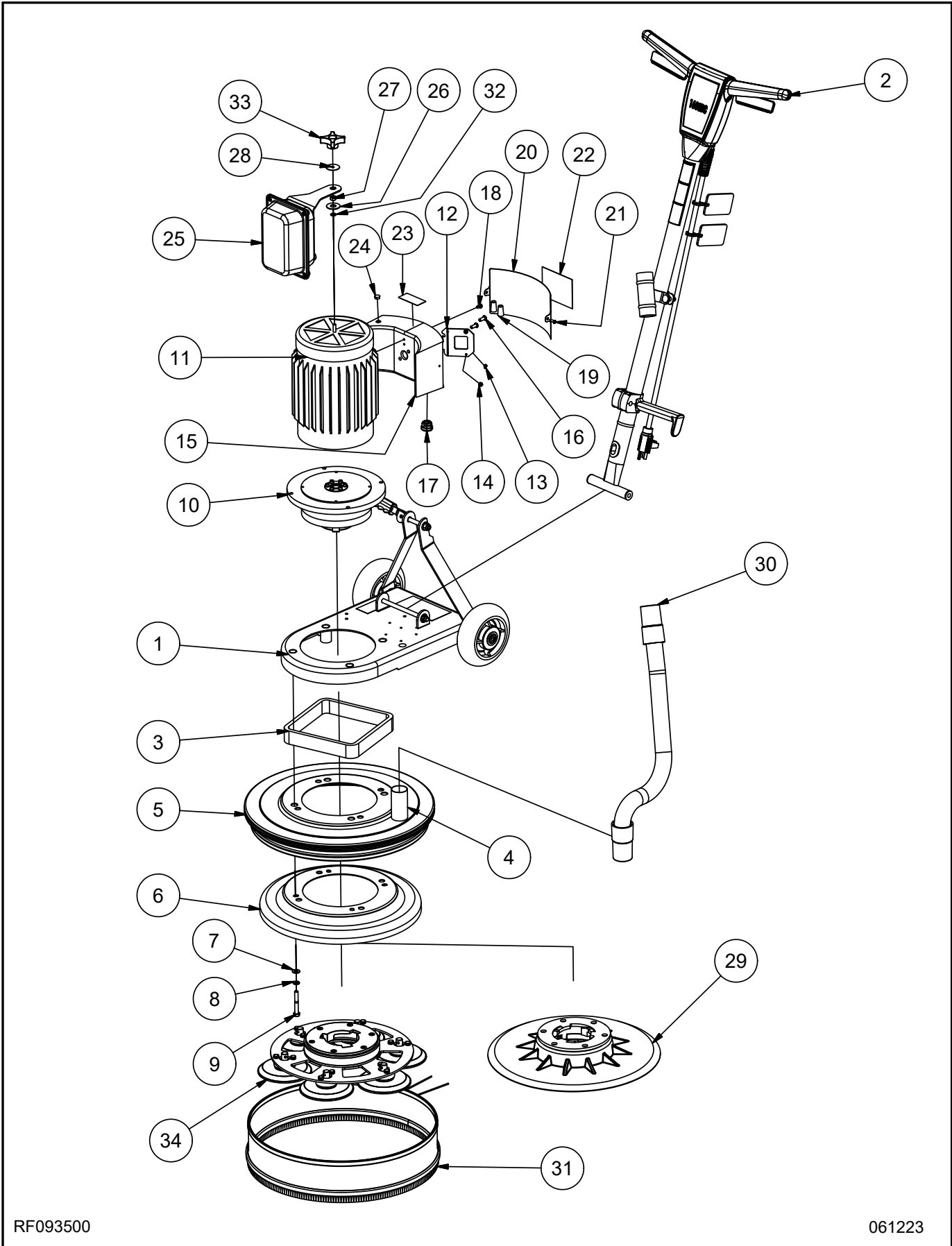
Les moteurs à induction ne nécessitent pas l'utilisation de balais.

Si des réparations doivent être faites au système d'entraînement ou au moteur, ne pas démonter la machine mais la renvoyer dans un centre technique agréé American Sanders.

Pour prolonger la vie de la machine et garantir son fonctionnement optimal, n'utilisez que des pièces de rechange American Sanders.

NOTE : La graisse du système d'entraînement (503802) doit être changée chaque année. Les modèles 1600 et 1600DC il faut 236 cm³ de graisse.

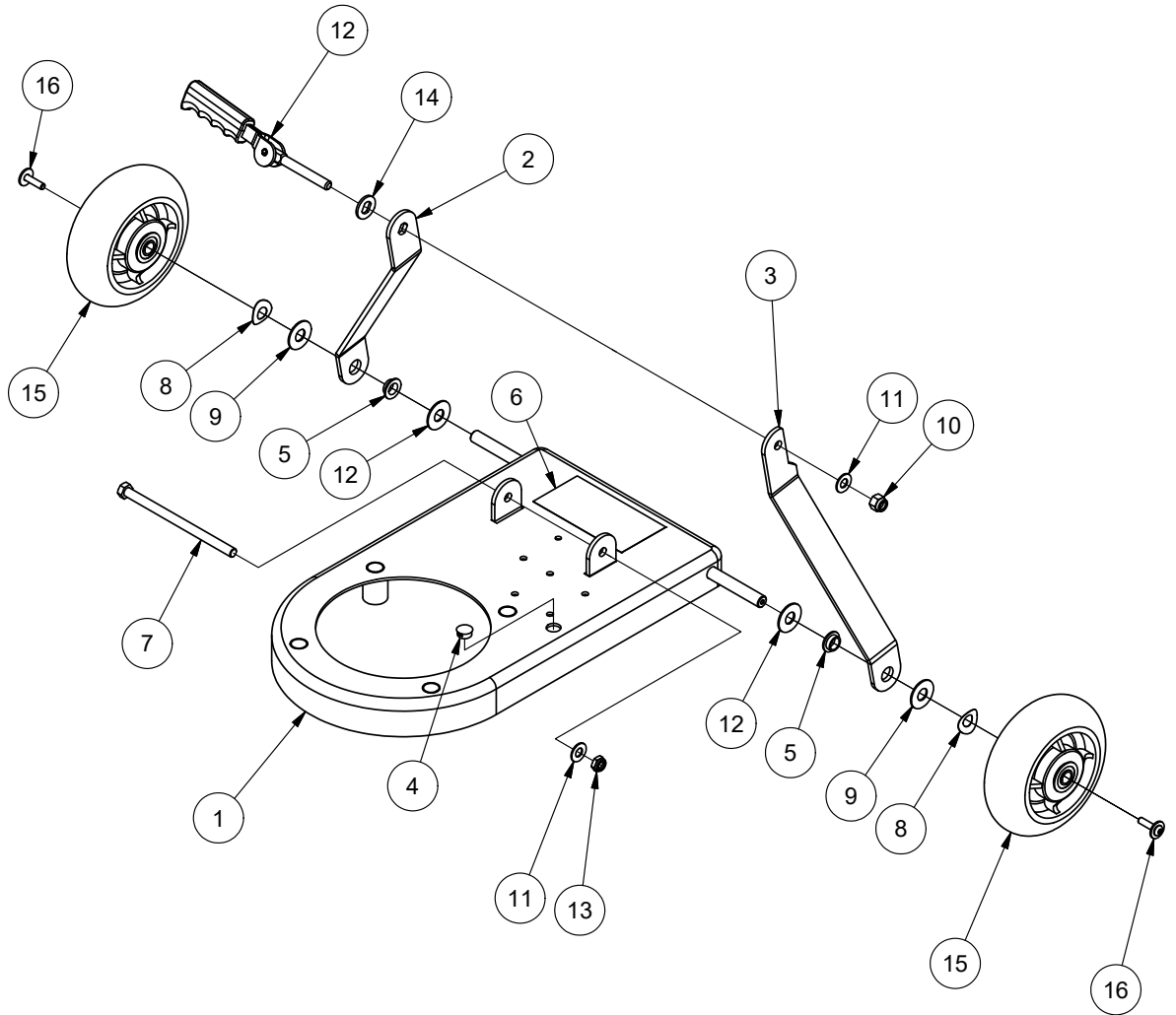
Main Assembly



Main Assembly

Parts List			
ITEM	QTY	PART NUMBER	DESCRIPTION
1	1	AS029700	FRAME, SANDER 1600, ASM.
2	1	AS029600	HANDLE, SANDER 1600, ASM.
3	1	52368A	SEAL FOAM
4	1	10241A	WLDMNT DUST SHIELD
5	1	52359A	BUMPER OUTER SHIELD
6	1	61832A	SHIELD INNER RS 16DC
7	4	980651	WASHER 5/16 SAE FLAT
8	4	980652	WASHER, LOCK, 5/16
9	4	962308	SCR 5/16-18X2&1/4 HX ST
10	1	50979A	GEARBOX 10 TO 1 SANDER
11	1	40533A	MOTOR 1.5 HP
12	1	AS017502	BRACKET, MOUNTING, START, SWITCH, PLATED
13	2	85313C	SCREW 6-32 X 3/8 PAN HD
14	2	920056	NUT-6X32 ELASTIC STOP
15	1	22906A	ENCLOSURE
16	2	962822	SCR 1/4-20 X 5/8 BT ST SOC
17	1	51523A	BUSHING, STRAIN RELIEF
18	1	85833A	SCREW, MACHINE, 10-32 TYPE 23
19	2	170667	CONNECTOR, WIRE NUT, 74B, YELLOW
20	1	62667A	COVER, ENCLOSURE
21	2	962727	SCREW, 8-32 X 1/2 PN ST TP23 PH
22	1	77195A	DECAL, UL WARNING
23	1	77234A	LABEL, WARNING, HEAVY OBJECT
24	1	57165A	PLUG NYLON HOLE 3DS
25	1	10252A	LAMP ASSY
26	1	87607A	WASHER FLT 1.25X .52 X .06 NYLON
27	1	81302A	NUT, JAM, HEX, 1/4-20, ZINC
28	1	87625A	WASHER FLT 1.25X.26X.03 NYLON
29	1	10242A	ASSY PAD DRIVER
30	1	30408B	1.5" X 30" CUFFS BE BLACK
31	1	10329A	BRUSHSKIRT
32	1	NB6110	WASHER, LOCK, 1/4"
33	1	AS125000	KNOB, 1/4-20, FOUR ARM
34	1	SA031600	PLATE, DRIVE, HYDRA SAND, KIT

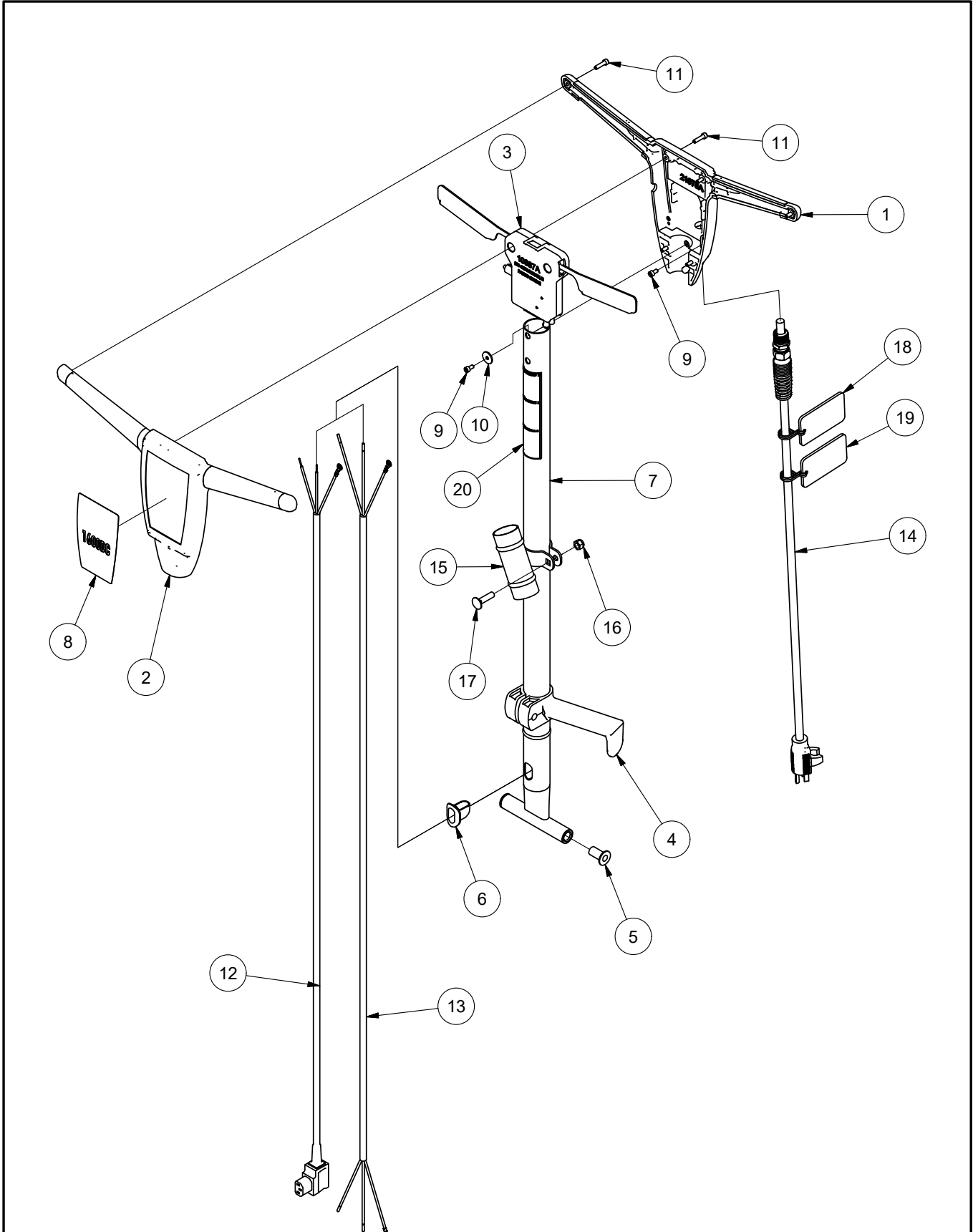
Base Assembly



Base Assembly

Parts List			
ITEM	QTY	PART NUMBER	DESCRIPTION
1	1	AS024700	FRAME, SANDER 1600, EPOCH, WELDMENT
2	1	AS028800	ARM, LINK, RIGHT
3	1	AS028900	ARM, LINK, LEFT
4	1	57120A	PLUG-BUTTON
5	2	MP165400	BUSHING, FLANGED, BRONZE, 1/2 ID X 1/4 L
6	1	73285A	LABEL WARNING
7	1	80087A	SCREW 3/8-16 X 6
8	2	80295A	WASHER BOWED .516ID X 1.06OD
9	2	NB034600	WASHER, FLAT, 1/2", SS
10	1	920342	NUT LK 3/8 -16 REG
11	2	980645	WASHER, 3/8" SAE, FLAT
12	2	87607A	WASHER FLT 1.25X .52 X .06 NYLON
13	1	920248	NUT 3/8-16 ESNA LIGHT
14	1	AS087800	WASHER, WEAR, CAM
15	2	RV009600	WHEEL, PERFORMA, 6" GREY
16	2	80292A	SCREW .25-20 X 1.00 BHHR SEMS

Handle Assembly



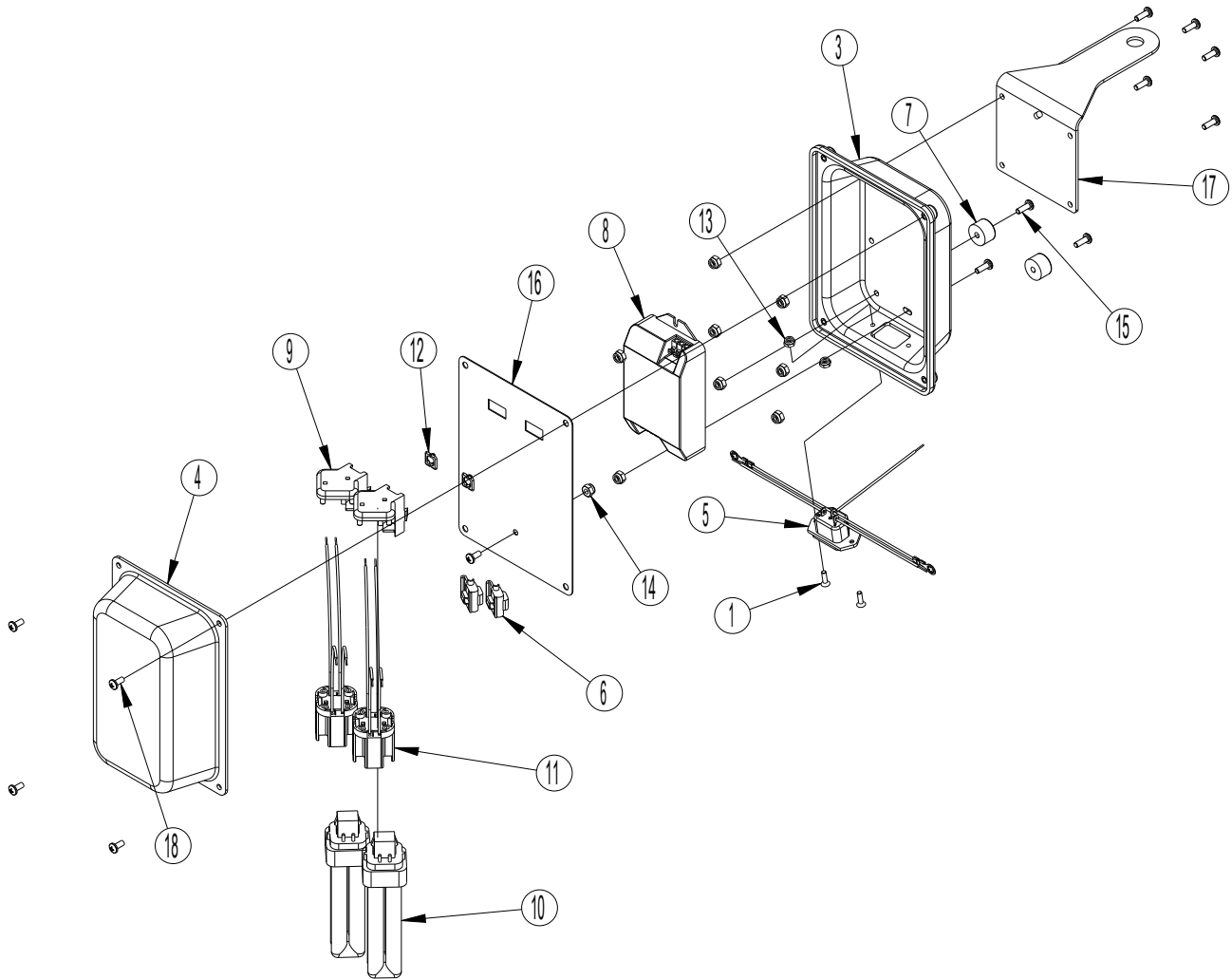
RF075000

012618

Handle Assembly

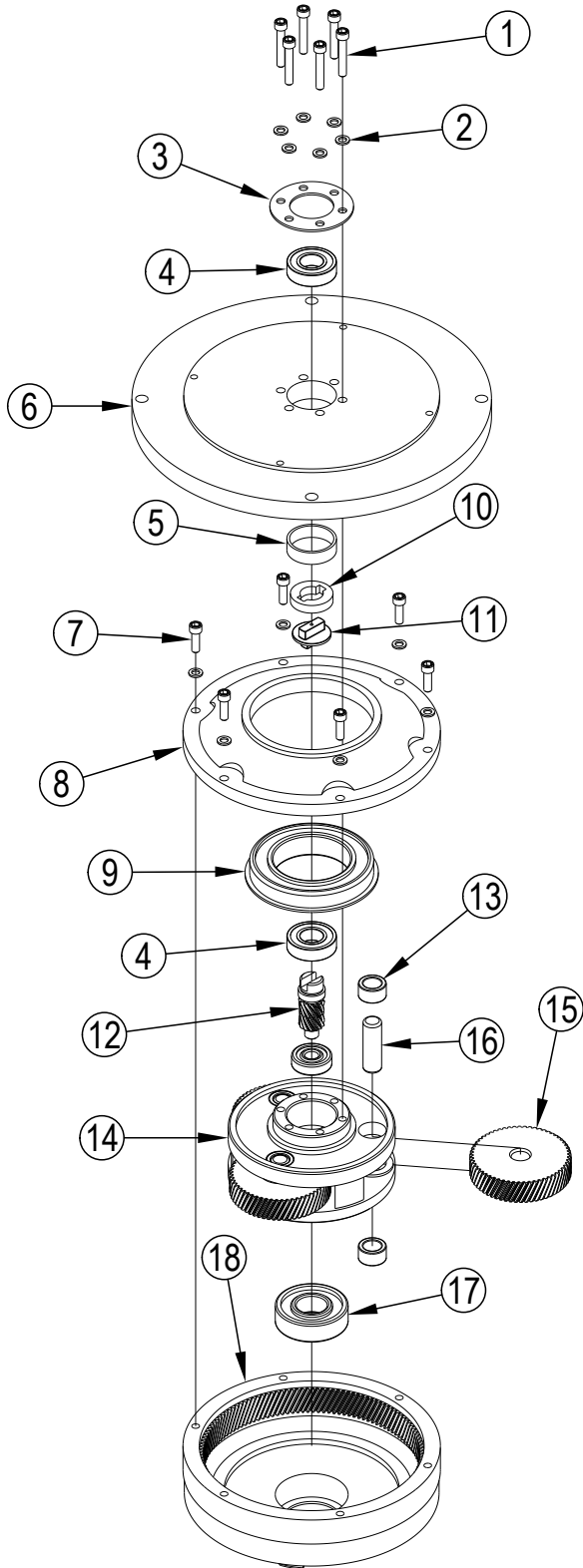
Parts List			
ITEM	QTY	PART NUMBER	DESCRIPTION
1	1	21075A	HANDLE, REAR - CFP
2	1	21074A	HANDLE, FRONT - CFP
3	1	10687A	MODULE INTERLOCK ASM
4	1	50781A	CLAMP HANDLE C2K
5	2	50794A	BUSHING NYLON C2K
6	1	50796A	BUSHING CORD C2K
7	1	AS029500	TUBE, HANDLE, 1600
8	1	AS029900	DECAL, HANDLE, SANDER 1600DC
9	2	80290A	SCREW 10-32 X 3/8 HRCS
10	1	80291A	WASHER FLAT 10 TYPE B WIDE
11	6	80284A	SCREW 10-32UNF X .75 HRCS
12	1	AS029300	CORD, INTERCONNECT, LAMP
13	1	AS029400	CORD, INTERCONNECT, 1600
14	1	AS029800	CORD, POWER, 14/3, 50FT, ASM.
15	1	10304A	ADAPTER, HOSE, SANDER, WELD.
16	1	920110	NUT, 5/16-18 HEX LOCK
17	1	88643A	BOLT, CARRIAGE, 5/16-18 X 1 1/2
18	1	70175A	TAG WARNING ENG-SPN
19	1	70175A-FR	TAG WARNING ENG-FRN
20	1	71347A	LABEL CCA WARNING
21	2	47709A	TERMINAL, 1/4 FIFQD 12-10 GA. *(NOT SHOWN)

Lamp Assembly



Item	Ref. No.	Qty	Description
	10252A	1	Lamp Assy
1	962974	2	Screw 6-32x1/2 Fh Ph
3	39862A	1	Enclosure Lamp
4	39863A	1	Cover Lamp
5	40528A	1	C14 Inlet Asm
6	40783A	2	Tap Splice 22-16 Awg
7	51612A	2	Bumper Recessed Nap Sac
8	52350B	1	Ballast 120-277v 13w
9	52356A	2	Adaptor Lamp
10	52357A	2	Lamp 13w Fluorescent
11	52358A	2	Socket Assy
12	52367A	2	Grommet
13	920056	2	Nut, 6-32 E.S.N.A. Nylock
14	920065	9	Nut, 8-32 E.S.N.A
15	962027	8	Screw, 8-32 X 1/2 P.H.
16	60550A	1	Reflector Lamp
17	60551A	1	Bracket, Lamp
18	85303A	5	Screw 8-32 X.375

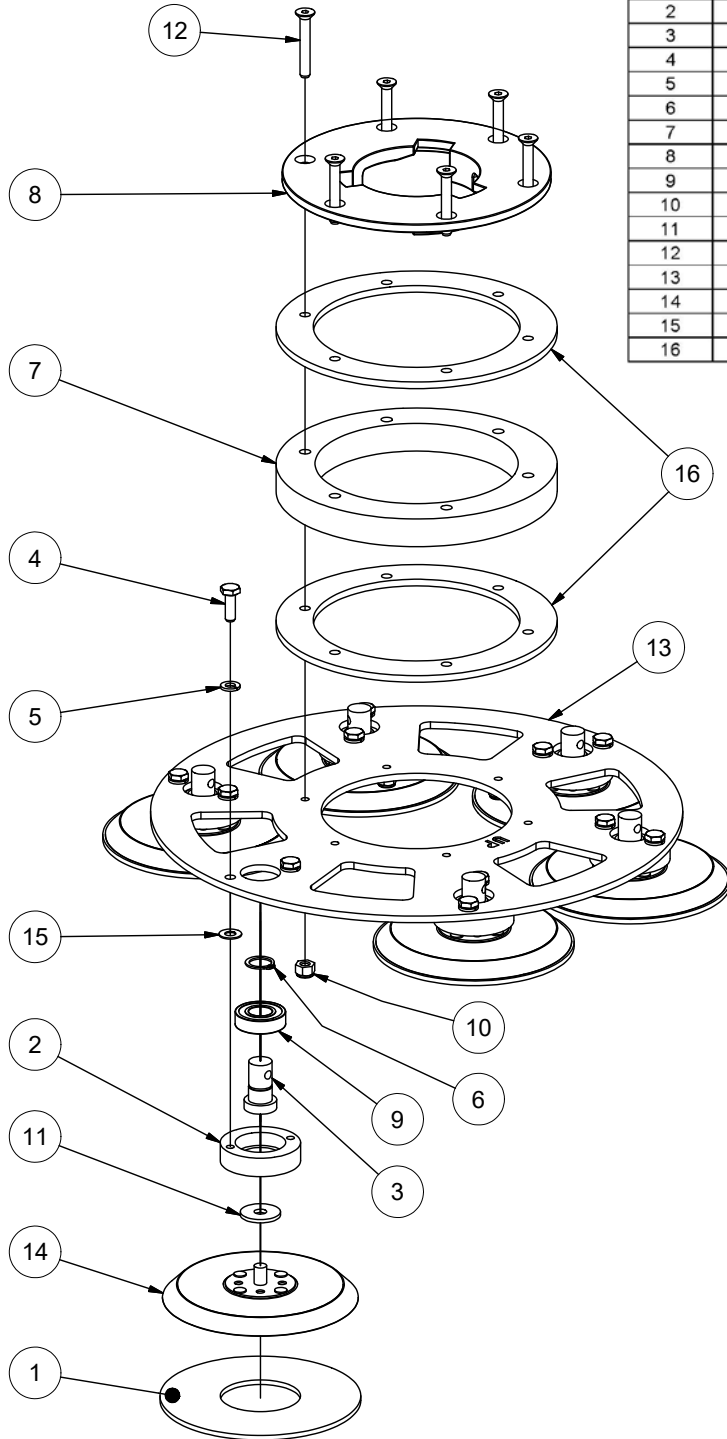
Gear Box Assembly



Gear Box ASSEMBLY

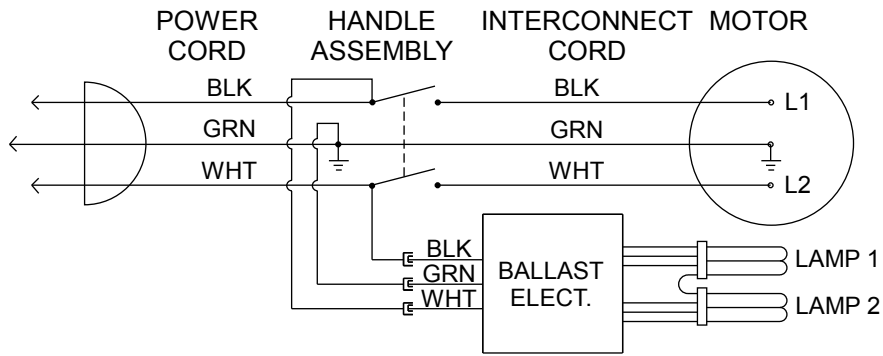
Item	Part Number	Qty	Description
	50979A	1	Gearbox 10 To 1 Sander
1	962966	6	Screw, Socket Hd. Cap
2	980650	6	Washer, Lock
3	56922A	1	Retainer, Bearing
4	902606	3	Bearing, Ball
5	58520A	1	Spacer, Sleeve
6	N/A	1	Endshield
7	962794	6	Screw 10-24" x 1"
8	N/A	1	Cover, Housing
9	902736	1	Bearing
10	58314A	1	Retainer
11	69195A	1	Coupling
12	58313A	1	Gear, Pinion
13	902737	6	Bearing, Needle
14	N/A	1	Cage
15	54408A	3	Gear, Idler
16	58312A	3	Shaft
17	902654	1	Bearing, Ball
18	54856A	1	Housing, Drive

Hydrasand Assembly

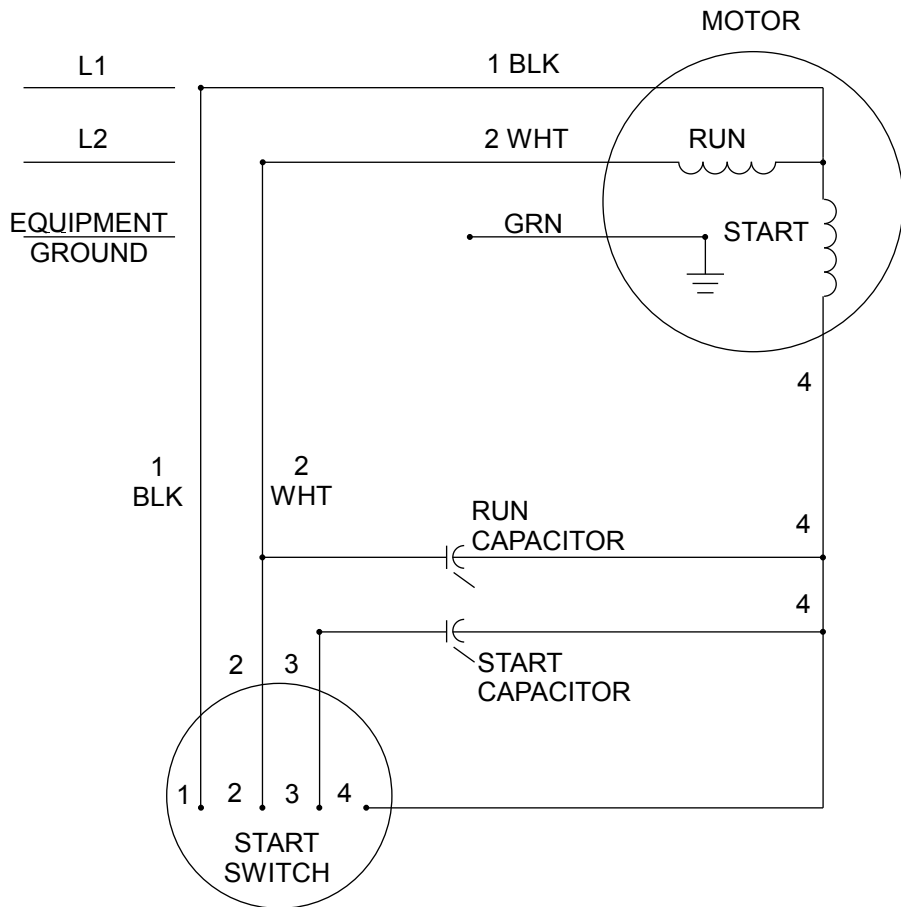


Parts List			
ITEM	QTY	PART NUMBER	DESCRIPTION
1	6	AS003500	PAD, FOAM, 5"
2	6	AS003700	HOUSING, BEARING, DRIVER
3	6	AS003800	SHAFT, DRIVER
4	12	NB019100	BOLT, HEX, 1/4-20 X 3/4, GD 5
5	12	NB6110	WASHER, LOCK, 1/4"
6	6	NB070200	RING, RETAINING, EXT
7	1	AS004800	RING, ISOLATOR
8	1	AS004600	PLATE, CLUTCH, DRIVER
9	6	56380282	BEARING-BALL 6002 CUSTOM
10	6	NB3275	NUT, LOCK, 1/4"
11	6	NB080100	WASHER, .312 X 1 X .0840-.0960
12	6	NB071300	SCREW, SOCKET, FLAT, CS, 1/4-20 x 2", SS
13	1	AS003600	PLATE, DRIVER
14	6	AS003400	PAD, DRIVER, 5", ASM
15	6	NB071400	WASHER, GROUND, 1/4"
16	2	AS004700	RING, SPACER

Wiring Diagram



MOTOR SCHEMATIC



Limited Warranty

SANDER 1600DC

TO QUALIFY FOR THIS WARRANTY

- (1) Machine must be registered within 30 days from the time of purchase on a form provided by American Sanders. Your American Sanders Distributor is responsible for the registration of your machine. Please cooperate with your Distributor in supplying necessary information on the card.
- (2) The machine must have been purchased from American Sanders or an authorized American Sanders Distributor.
- (3) This warranty extends to the original purchaser only and is not transferable to subsequent owners.

TIME PERIODS

FIVE (5) YEAR WARRANTY - For the Sander 1600DC Rotary Sander. Warranted to be free from defects in material and workmanship for a period of five (5) years from the date of purchase by the original owners. (See Exclusions)

EXCLUSIONS (Not Covered by Warranty)

- (1) Expendable wear items and parts that fail through normal wear by reason of their characteristics (cords, pads, pad holders, belts, wheels, carbon motor brushes, bulbs, filters, bags, or other consumable parts).
- (2) This warranty does not extend to parts affected by misuse, neglect, abuse, accidents, damage in transit, overloading the capacity of the machine, failure due to lack of proper maintenance or care as described in the operating and maintenance instructions. All defective parts must be returned to the distributor for credit.
- (3) Minor adjustments, such as tightening of screws or bolts not connected with the replacement of parts, are not covered.
- (4) Repairs or alterations by an organization other than the factory or an Authorized Service Center are not covered and will void any American Sanders warranty as to the parts or systems repaired or altered by a non-authorized organization.

THE OBLIGATION OF AMERICAN SANDERS

- (1) The obligation of American Sanders under this warranty is limited to repairing or replacing, at its option, any part which is proven to be defective in material or workmanship under normal use for the applicable period stated above.
- (2) Warranty repairs will be made by your American Sanders Distributor without charge for parts and labor. They will be compensated with a warranty labor rate of \$75.00 per hour, for the first year of ownership.
- (3) Parts repaired or replaced under this warranty are warranted only during the balance of the original warranty period. All defective parts replaced under these warranties become the property of American Sanders.

WARRANTY SERVICE

To obtain warranty service, take your machine and proof of purchase to any authorized American Sander Distributor. American Sanders will not reimburse expenses for service calls or travel. For the Distributor in your area, call American Sanders Customer Service Department at 800-367-3550 or 336-372-8080. If you are dissatisfied with the service that you receive, call or write American Sanders Customer Service Department for further assistance.

INSTRUCTIONS AND CONDITIONS FOR WARRANTY REIMBURSEMENT

- Order replacement part: Orders will be processed and charged, as normal procedure.
- Call American Sanders for R/A number.
- You will need the Machine Serial Number and the Machine Model Number.
- Parts must be returned, accompanied with the R/A number to be eligible for warranty credit.
- All Warranty Parts will be shipped prepaid UPS Ground, any other method will be at the recipients expense.
- Freight on any Warranty Part after 30 days must be paid for by the Purchaser.
- Warranty labor rate is \$75.00 per hour.
- Credit will be issued upon completion of the above steps, at the above rates.

Transportation of hazardous waste or contaminated equipment is subject to various laws and regulations. In returning machines, parts, or accessories under this limited warranty, the end user must certify in writing that the machines, parts, or accessories being returned have not been used for handling, clean up, or disposal of hazardous waste or hazardous materials including but not limited to such things as asbestos, anthrax etc. or if the machines, parts, or accessories being returned have been used for handling, clean up, or disposal of hazardous waste or hazardous materials, then the end user must have the machines, parts or accessories decontaminated by licensed and qualified decontamination professionals and provide written certification of this decontamination signed by the decontamination professionals. These machines, parts or accessories are to be returned only to the local American Sanders Service Center for warranty service along with decontamination certification.

DISCLAIMER OF CONSEQUENTIAL

THERE ARE NO WARRANTIES THAT EXTEND BEYOND THE DESCRIPTION OF THE LIMITED WARRANTIES STATED WITHIN. NO OTHER WARRANTY, EXPRESSED OR IMPLIED, INCLUDING BUT NOT LIMITED TO ANY IMPLIED WARRANTY OF MERCHANTABILITY OR FITNESS FOR A PARTICULAR PURPOSE, IS MADE EXCEPT AS EXPRESSLY STATED HEREIN. ANY STATUTORY IMPLIED WARRANTIES, INCLUDING ANY WARRANTY OF MERCHANTABILITY OR FITNESS FOR A PARTICULAR PURPOSE, THAT ARE IMPOSED BY LAW DESPITE THE EXPRESS LIMITATION OR WARRANTIES ABOVE, ARE EXPRESSLY LIMITED TO THE DURATION OF THE WRITTEN WARRANTY. BUYER UNDERSTANDS, ACKNOWLEDGES AND AGREES THAT THE REMEDIES PROVIDED UNDER THIS LIMITED WARRANTY ARE THE SOLE AND EXCLUSIVE REMEDIES AVAILABLE TO THE BUYER. AMERICAN SANDERS DISCLAIMS ANY RESPONSIBILITY FOR LOSS OF USER TIME OF THE AMERICAN SANDERS MACHINE OR ANY OTHER INCIDENTAL OR CONSEQUENTIAL DAMAGES. THIS INCLUDES, BUT NOT LIMITED TO INDIRECT, SPECIAL OR CONSEQUENTIAL DAMAGES ARISING OUT OF OR IN CONNECTION WITH THE FURNISHING, PERFORMANCE, USE OF OR INABILITY TO USE THE MACHINE. ANY EXTENSIONS OF OR MODIFICATIONS MADE TO THIS WARRANTY BY A DEALER/DISTRIBUTOR OF AMERICAN SANDERS ARE THE SOLE RESPONSIBILITY OF THE DEALER/DISTRIBUTOR.

American Sanders reserves the right to change its warranty policy without notice.

Copyright 2023 American Sanders

Garantía limitada

Sander 1600DC

PARA CALIFICAR PARA ESTA GARANTÍA

- (1) El equipo debe registrarse dentro de los 30 días a partir de la fecha de compra en un formulario proporcionado por American Sanders. Su distribuidor American Sanders es responsable del registro de su equipo. Coopere con su distribuidor brindando la información necesaria en la tarjeta.
- (2) El equipo debe haberse comprado en American Sanders o con un distribuidor autorizado de American Sanders.
- (3) Esta garantía se extiende al comprador original solamente y no se puede transferir a otros propietarios.

PERÍODOS DE TIEMPO

GARANTÍA DE UN (1) AÑO: Para el Sander 1600DC Garantizado por estar libres de defectos en material y mano de obra por un período de un (1) año a partir de la fecha de compra por parte de los propietarios originales. (Consulte Exclusiones)

EXCLUSIONES (No cubiertas por la garantía)

- (1) Artículos desgastables y piezas que fallan debido al desgaste normal por sus características (cables, tambores, bandas, ruedas, cojinetes, filtros, bolsas u otras piezas consumibles).
- (2) Esta garantía no se extiende a partes afectadas por mal uso, negligencia, abuso, accidentes, daños en tránsito, sobrecarga de la capacidad de la máquina, fallas debido a la falta de mantenimiento o cuidado apropiados como se describe en las instrucciones de operación y mantenimiento. Todas las partes defectuosas se deben devolver al distribuidor para recibir un crédito.
- (3) Los ajustes menores, como el ajuste de tornillos o pernos no conectados con el reemplazo de piezas, no están cubiertos.
- (4) Las reparaciones o modificaciones realizadas por una organización que no sea la fábrica o un Centro de Servicio Autorizado no están cubiertas y anularán cualquier garantía de American Sanders en cuanto a las piezas o sistemas reparados o modificados por una organización no autorizada.

LA OBLIGACIÓN DE AMERICAN SANDERS

- (1) La obligación de American Sanders bajo esta garantía se limita a la reparación o reemplazo, a su elección, de cualquier parte que se compruebe tiene defectos de material o mano de obra durante el uso normal por el período aplicable antes mencionado.
- (2) El distribuidor de American Sanders realizará las reparaciones de garantía sin cargo por piezas y mano de obra. Ellos recibirán una compensación con una tarifa de mano de obra de garantía de \$75.00 por hora, por el primer año de propiedad.
- (3) Las partes reparadas o reemplazadas bajo esta garantía están cubiertas por la garantía solo durante el resto del período de la garantía original. Todas las partes defectuosas reemplazadas bajo estas garantías se convierten en propiedad de American Sanders.

SERVICIOS DE GARANTÍA

Para obtener servicio de garantía, lleve su equipo y prueba de compra a cualquier distribuidor autorizado de American Sanders. American Sanders no reembolsará los gastos por las llamadas o viajes para el servicio. Para el Distribuidor en su área, llame al Departamento de Servicio al Cliente de American Sanders al 800-367-3550 o al 336-372-8080. Si no está satisfecho con el servicio que recibe, llame o escriba al Departamento de Servicio al Cliente de American Sanders para recibir más ayuda.

INSTRUCCIONES Y CONDICIONES PARA EL REEMBOLSO DE GARANTÍA

- Pida la pieza de reemplazo: Los pedidos se procesarán y cobrarán, como un procedimiento normal.
- Llame a American Sanders para obtener el número de R/A.
- Necesitará el número de serie del equipo y el número de modelo del equipo.
- Las piezas se deben devolver, acompañadas con el número de R/A para ser elegible para el crédito por la garantía.
- Todas las piezas de garantía se deberán enviar prepagadas por servicio terrestre de UPS, cualquier otro método será a costa del beneficiario.
- El Comprador debe pagar el flete para cualquier pieza de la garantía después de 30 días.
- La tarifa de mano de obra de la garantía es de \$75.00 por hora.
- El crédito se emitirá al completar los pasos anteriores, en las tarifas anteriores.

El transporte de desechos peligrosos o equipos contaminados está sujeto a varias leyes y regulaciones. Al devolver equipo, piezas o accesorios según esta garantía limitada, el usuario final debe certificar por escrito que el equipo, piezas o accesorios que se devuelven no se han utilizado para la manipulación, limpieza o eliminación de residuos peligrosos o materiales peligrosos, incluyendo pero no limitado a cosas tales como asbestos, ántrax, etc. o si el equipo, piezas o accesorios que se devuelven han sido utilizados para la manipulación, limpieza o eliminación de residuos peligrosos o materiales peligrosos, entonces el usuario final debe tener el equipo, piezas o accesorios descontaminados por profesionales de la descontaminación autorizados y calificados y que proporcionen una certificación por escrito de esta descontaminación firmada por los profesionales de la descontaminación. Estos equipos, piezas o accesorios deben devolverse solo al Centro de Servicio American Sanders de la localidad para obtener el servicio de garantía junto con la certificación de descontaminación.

DESCARGO DE RESPONSABILIDAD DE DAÑOS Y PERJUICIOS

NO HAY GARANTÍAS QUE SE EXTIENDAN MÁS ALLÁ DE LA DESCRIPCIÓN DE LAS GARANTÍAS LIMITADAS INDICADAS. NINGUNA OTRA GARANTÍA, EXPRESA O IMPLÍCITA, INCLUYENDO PERO NO LIMITADO A CUALQUIER GARANTÍA IMPLÍCITA DE COMERCIALIZACIÓN O IDONEIDAD PARA UN PROPÓSITO EN PARTICULAR, SE HACE EXCEPTO COMO SE INDICA EXPRESAMENTE AQUÍ. CUALQUIER GARANTÍA LEGAL IMPLÍCITA, INCLUIDA CUALQUIER GARANTÍA DE COMERCIABILIDAD O IDONEIDAD PARA UN PROPÓSITO EN PARTICULAR, QUE SEA IMPUESTA POR LA LEY A PESAR DE LA LIMITACIÓN EXPRESA O LAS GARANTÍAS ANTERIORES, ESTÁ EXPRESAMENTE LIMITADA A LA DURACIÓN DE LA GARANTÍA ESCRITA. EL COMPRADOR ENTIENDE, RECONOCE Y ACEPTA QUE LOS RECURSOS PROVISTOS BAJO ESTA GARANTÍA LIMITADA SON LOS ÚNICOS Y EXCLUSIVOS RECURSOS DISPONIBLES PARA EL COMPRADOR. AMERICAN SANDERS SE LIBERA DE TODA RESPONSABILIDAD POR LA PÉRDIDA DE TIEMPO DEL USUARIO DEL EQUIPO AMERICAN SANDERS O CUALQUIER OTRO DAÑO INCIDENTAL O CONSECUCIONAL. ESTO INCLUYE, PERO NO ESTÁ LIMITADO A DAÑOS INDIRECTOS, ESPECIALES O CONSECUCIONALES DERIVADOS DE O RELACIONADOS CON EL SUMINISTRO, EL FUNCIONAMIENTO, EL USO O LA INCAPACIDAD DE USAR EL EQUIPO. CUALQUIER EXTENSIÓN O MODIFICACIÓN HECHA A ESTA GARANTÍA POR UN CONCESIONARIO/DISTRIBUIDOR DE AMERICAN SANDERS SON RESPONSABILIDAD EXCLUSIVA DEL CONCESIONARIO/DISTRIBUIDOR.

American Sanders se reserva el derecho de cambiar su política de garantía sin previo aviso.

Copyright 2023 American Sanders

Garantie limitée

Ponceuse Sander 1600DC

POUR ÊTRE ADMISSIBLE À LA PRÉSENTE GARANTIE

- (1) L'appareil doit être inscrit dans les 30 jours suivant la date d'achat à l'aide de la fiche fournie par American Sanders. L'enregistrement de votre appareil s'effectue auprès de votre distributeur American Sanders. Veuillez lui fournir tous les renseignements exigés sur la fiche.
- (2) L'appareil doit avoir été acheté auprès d'American Sanders ou d'un distributeur American Sanders autorisé.
- (3) La présente garantie n'est offerte qu'à l'acheteur initial et n'est pas transférable aux propriétaires subséquents.

PÉRIODES

GARANTIE D'UN (1) AN — Pour le modèle de ponceuse EZ-8.
Garanti contre tout défaut de matériaux et de main-d'œuvre pour une période d'un (1) an à compter de la date d'achat par le propriétaire initial. (Se reporter aux exclusions.)

EXCLUSIONS (*Non couvert par la garantie*)

- (1) Les produits et pièces consommables qui font défaut par suite d'une usure normale en raison de leurs caractéristiques (cordons, tambours, courroies, roulettes, roulements, filtres, sacs ou autres pièces consommables).
- (2) Cette garantie ne couvre pas les pièces brisées par suite d'abus, de mésusage, de négligence, d'accidents, de bris lors du transport, d'une surcharge de la capacité de l'appareil, d'une défaillance due au manque d'entretien ou de soins adéquats tels qu'ils sont décrits dans les instructions d'utilisation et d'entretien. Vous devez retourner les pièces défectueuses au distributeur pour vous les faire créditer.
- (3) Les ajustements mineurs, tels que le serrage de vis ou de boulons sans lien avec le remplacement de pièces, ne sont pas couverts.
- (4) Les réparations ou modifications réalisées par toute organisation autre que l'usine ou un centre de service autorisé ne sont pas couvertes et annuleront la garantie American Sanders en ce qui concerne les pièces ou systèmes réparés ou modifiés par une organisation non autorisée.

LES OBLIGATIONS D'AMERICAN SANDERS

- (1) Les obligations d'American Sanders en vertu de cette garantie se limitent à la réparation ou au remplacement, à sa discrétion, de toute pièce présentant un défaut avéré de matériaux ou de main-d'œuvre dans le cadre d'une utilisation normale pour la période applicable énoncée plus haut.
- (2) Les réparations sous garantie seront effectuées par votre distributeur American Sanders sans frais pour les pièces et la main-d'œuvre. Ce dernier sera rémunéré au taux de main-d'œuvre de 75,00 \$/h pour la première année de possession.
- (3) Les pièces réparées ou remplacées en vertu de cette garantie ne sont garanties que pendant le restant de la période originale de garantie. Toutes les pièces défectueuses remplacées en vertu de ces garanties deviennent la propriété d'American Sanders.

SERVICE SOUS GARANTIE

Pour obtenir du service sous garantie, apportez votre appareil et une preuve d'achat chez un distributeur American Sanders autorisé. American Sanders ne remboursera pas de frais engagés en lien avec des appels de service ou des déplacements. Pour connaître le distributeur de votre région, communiquez avec le service à la clientèle d'American Sanders au 800 367-3550 ou au 336 372-8080. Si vous n'êtes pas satisfait du service reçu, communiquez avec le service à la clientèle d'American Sanders pour obtenir de l'aide.

INSTRUCTIONS ET CONDITIONS POUR L'OBTENTION D'UN REMBOURSEMENT SOUS GARANTIE

- Commande de pièce de rechange : Les commandes sont traitées et facturées comme toute procédure normale.
- Communiquez avec American Sanders pour obtenir un numéro d'autorisation de renvoi.
- Il vous faudra le numéro de série et le numéro de modèle de l'appareil.
- Vous devez joindre le numéro d'autorisation de renvoi aux pièces renvoyées pour être admissible au crédit en vertu de la garantie.
- Toutes les pièces sous garantie sont expédiées UPS Ground prépayé; tout autre moyen d'expédition est au frais du destinataire.
- Le transport de toute pièce sous garantie après 30 jours doit être payé par l'acheteur.
- Le taux de main-d'œuvre sous garantie est de 75,00 \$/h.
- Le crédit est émis une fois toutes les étapes précédentes terminées, aux tarifs précités.

Le transport de déchets dangereux ou d'équipements contaminés est assujéti à différentes lois et réglementations. Au moment de retourner des appareils, des pièces ou des accessoires en vertu de cette garantie limitée, l'utilisateur final doit attester par écrit que les appareils, pièces ou accessoires retournés n'ont pas été utilisés pour la manipulation, le nettoyage ou l'élimination de déchets dangereux ou de matières dangereuses, y compris, mais sans s'y limiter, amiante, anthrax, etc. ou, si les appareils, pièces ou accessoires retournés ont été utilisés pour la manipulation, le nettoyage ou l'élimination de déchets dangereux ou de matières dangereuses, alors l'utilisateur final doit faire décontaminer les appareils, pièces ou accessoires par un professionnel de la décontamination qualifié et agréé et fournir une attestation écrite de cette décontamination signée par le professionnel de la décontamination. Ces appareils, pièces ou accessoires ne doivent être retournés qu'au centre de service American Sanders local pour un service sous garantie et être accompagnés de l'attestation de décontamination.

CLAUSE DE NON-RESPONSABILITÉ

AUCUNE GARANTIE N'EST CONSENTIE AU-DELÀ DE LA DESCRIPTION DES PRÉSENTES GARANTIES LIMITÉES. AUCUNE AUTRE GARANTIE, EXPRESSE OU IMPLICITE, Y COMPRIS, MAIS SANS S'Y LIMITER, TOUTE GARANTIE IMPLICITE DE QUALITÉ MARCHANDE OU D'ADAPTATION À UN EMPLOI PARTICULIER, N'EST FAITE HORMIS CELLES INDIQUÉES AUX PRÉSENTES. TOUTE GARANTIE LÉGALE IMPLICITE, Y COMPRIS TOUTE GARANTIE DE QUALITÉ MARCHANDE OU D'ADAPTATION À UN EMPLOI PARTICULIER, QUI EST IMPOSÉE PAR LA LOI MALGRÉ LES LIMITES OU GARANTIES EXPRESSES PRÉCÉDENTES, EST EXPRESSÉMENT LIMITÉE À LA DURÉE DE LA GARANTIE ÉCRITE. L'ACHETEUR COMPREND, RECONNAÎT ET CONVIENT QUE LE RECOURS PRÉVU EN VERTU DE CETTE GARANTIE LIMITÉE CONSTITUE LE SEUL ET UNIQUE RECOURS À SA DISPOSITION. AMERICAN SANDERS SE DÉGAGE DE TOUTE RESPONSABILITÉ À L'ÉGARD DU TEMPS D'UTILISATION DE L'APPAREIL AMERICAN SANDERS PERDU ET DE TOUT AUTRE DOMMAGE ACCESSOIRE OU CONSÉCUTIF. CELA COMPREND, MAIS SANS S'Y LIMITER, LES DOMMAGES INDIRECTS, PARTICULIERS OU CONSÉCUTIFS DÉCOULANT DIRECTEMENT OU INDIRECTEMENT DE LA PRESTATION, DE LA PERFORMANCE, DE L'UTILISATION DE L'APPAREIL OU DE L'IMPOSSIBILITÉ DE L'UTILISER. TOUTE PROLONGATION OU MODIFICATION DE CETTE GARANTIE EFFECTUÉE PAR UN CONCESSIONNAIRE OU UN DISTRIBUTEUR D'AMERICAN SANDERS RELÈVE ENTIÈREMENT DU CONCESSIONNAIRE OU DU DISTRIBUTEUR.

American Sanders se réserve le droit de changer sa politique de garantie sans préavis.

Copyright 2023 American Sanders



American Sanders

an AMANO Company

1 Eclipse Rd • PO Box 909
Sparta, North Carolina 28675 • USA
www.pioneereclipse.com
www.americansanders.com

+1-336-372-8080
1-800-367-3550
Fax 1-336-372-2913